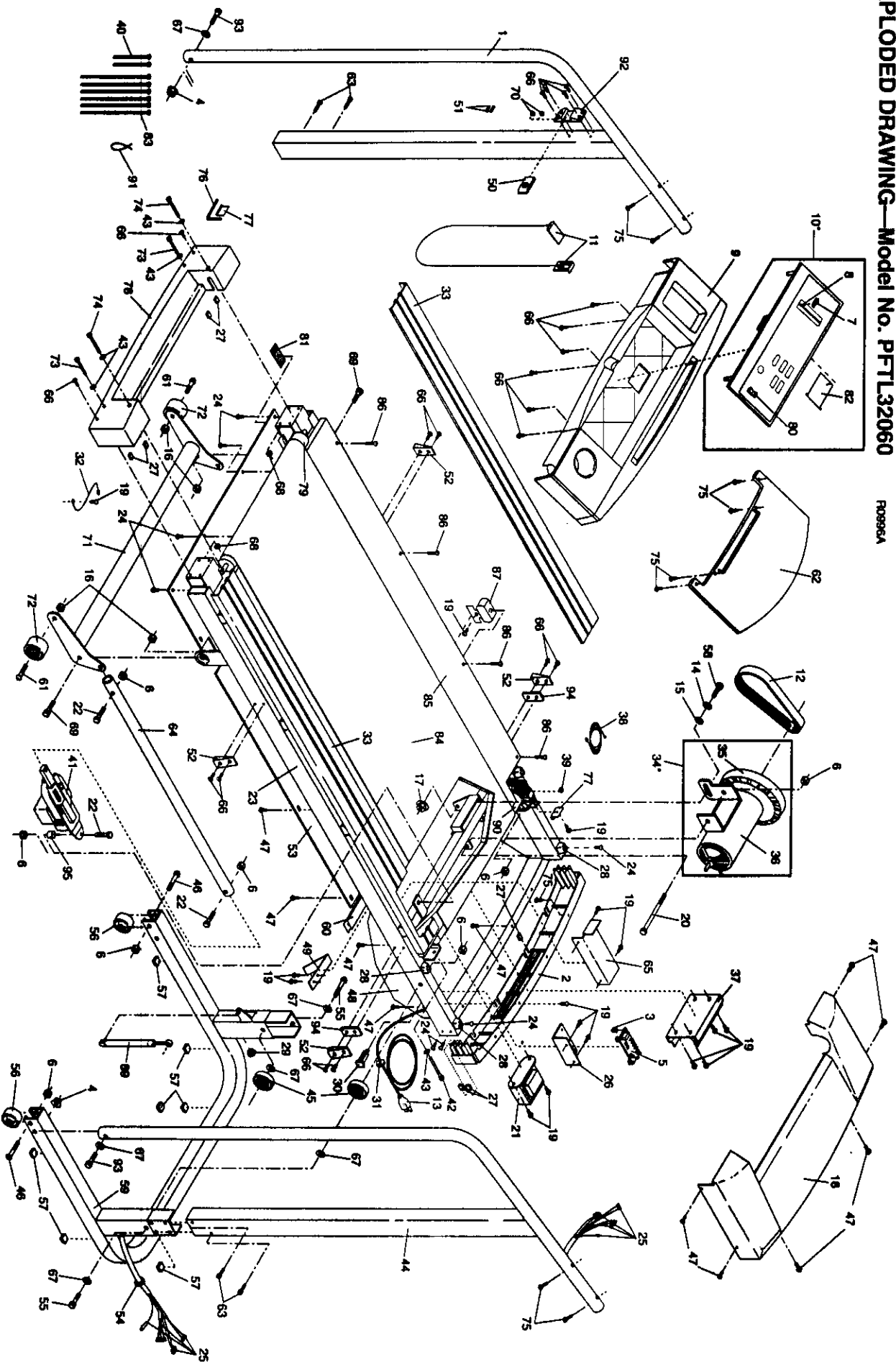


EXPLODED DRAWING—Model No. PFTL32060

RO996A



MODEL NUMBER: PFTL3206
VERSION: 00
PRODUCT NAME: PROFORM 525SI
PRODUCT DESC: TREADMILL

MODEL/PART BOOK LISTING

PAGE 1
INI023P1
RUN DATE: 3/10/97
RUN TIME: 16:22:17

KEY NUMBER	PART NUMBER	DESCRIPTION	QUANTITY
.	.	PROFORM 525 SI	0
.	.	10/96 LOGAN	0
1	131777	LEFT UPRIGHT	1
2	132766	FRAME COVER	1
3	125819	PLASTIC STAND-OFF	4
4	105477	HANDRAIL NUT	2
5	133584	LIFT BOARD	1
6	119425	3/8" LOCK NUT	9
7	131161	SPEED KNOB	1
8	128113	SPEED POTENTIOMETER	1
9	131606	CONSOLE BASE	1
10	131735	CONSOLE	1
11	119038	KEY/CLIP	1
12	135866	MOTOR BELT	1
13	124669	POWER CORD	1
14	122812	MOTOR TENSION WASHER	1
15	014117	STAR WASHER	1
16	012056	INCLINE WHEEL NUT	4
17	120867	MOTOR TENSION NUT	1
18	134828	MOTOR HOOD	1
19	120630	SMALL SCREW	22
20	107503	MOTOR PIVOT BOLT	1
21	130993	CHOKE	1
22	013375	INCLINE BOLT	3
23	NSP	FRAME	1
24	013300	SMALL SCREW	14
25	134829	WIRE HARNESS	1
26	132020	LIFT BOARD BRACKET	1
27	133333	COVER CLIP	8
28	113106	HOOD ANCHOR	4
29	126960	HOLE PLUG	1
30	109382	CIRCUIT BREAKER	1
31	124695	GROMMET	1
32	130426	GROUND WIRE	1
33	.	FOOT RAIL W/FASTENERS	0
.	.	WHAT FOOT RAIL IS NEEDED?	0
.	135527	LT FOOT RAIL W/FASTENERS	1
.	135528	RT FOOT RAIL W/FASTENERS	1
34	133966	MOTOR/PULY/FLWH/FAN	1
35	126747	PULLEY/FLYWHEEL/FAN	1
36	133413	MOTOR	1
37	133553	CONTROLLER	1
38	118153	REED SWITCH WIRE	1
39	100498	MAGNET	1
40	016029	4" CABLE TIE	2
41	115523	INCLINE MOTOR	1
42	112609	FRONT ROLLER ADJ BOLT	1
43	014063	ADJUSTMENT WASHER	5
44	131779	RIGHT UPRIGHT	1
45	133685	UPRIGHT SPACER	2
46	130868	BASE WHEEL BOLT	2
47	013162	BELLY PAN SCREW	20
48	131639	BELLY PAN	1
49	127098	BELT GUIDE	2

MODEL NUMBER: PFTL3206
VERSION: 00
PRODUCT NAME: PROFORM 525SI
PRODUCT DESC: TREADMILL

MODEL/PART BOOK LISTING

PAGE 2
INI023P1
RUN DATE: 3/10/97
RUN TIME: 16:22:17

KEY NUMBER	PART NUMBER	DESCRIPTION	QUANTITY
50	131738	STORAGE LATCH	1
51	136377	STORAGE LATCH SPRING	2
52	130251	FRAME GUIDE	2
53	133605	FRAME COVER	1
54	129004	WIRE HARNESS GROMMET	1
55	013430	UPRIGHT PIVOT BOLT	2
56	129642	BASE WHEEL	2
57	129740	BASE PAD	7
58	013547	MOTOR TENSION BOLT	1
59	133606	BASE	1
60	130822	SAFETY COVER CONNECTOR	1
61	117806	INCLINE LEG WHEEL BOLT	2
62	135025	BOOK RACK	1
63	013484	UPRIGHT SCREW	4
64	131687	INCLINE ROD	1
65	135539	INCLINE MOTOR GUARD	1
66	013576	LATCH/FRAME GUIDE SCREW	12
67	014132	HANDRAIL WASHER	6
68	121576	ROLLER ENDCAP NUT	2
69	013307	INCLINE LEG BOLT	2
70	131562	LATCH PAD	2
71	131637	INCLINE LEG	1
72	052012	INCLINE LEG WHEEL	2
73	100606	REAR ROLLER ENDCAP SCREW	2
74	013342	ADJUSTMENT BOLT	2
75	126996	SCREW	12
76	126040	ALLEN WRENCH	1
77	016028	ADHESIVE CLIP	2
78	132880	REAR ROLLER ENDCAP	1
79	133845	REAR ROLLER	1
80	031108	INCLINE SWITCH	1
81	131605	LATCH DECAL	1
82	129639	BATTERY COVER	1
83	016057	8" CABLE TIE	0
84	128954	WALKING BELT W/FASTENERS	1
85	131749	WALKING BOARD W/FASTENERS	1
86	128272	PLATFORM SCREW	8
87	124592	ISOLATOR	8
88	.	UPRT WASHER, NOT USED	0
89	129814	SHOCK	1
90	133598	FRONT ROLLER/PULLEY	1
91	116926	RELEASEABLE CABLE TIE	1
92	131753	STORAGE LATCH BRACKET	1
93	124614	HANDRAIL BOLT	2
94	132031	FRAME GUIDE SPACER	2
95	059019	INCLINE SPACER	1
.	.	NON-ILLUSTRATED PARTS	0
#	131090	REED SWITCH WIRE CLAMP	1
#	127860	FASTENER	12
#	131806	WIRE DIAGRAM	1
#	131820	HOOD DECAL	1
#	127819	FRAME PLUG	1
#	133860	15" WIRE TIE	1
#	114953	14" BLUE WIRE, 2F	1

MODEL NUMBER: PFTL3206
VERSION: 00
PRODUCT NAME: PROFORM 525SI
PRODUCT DESC: TREADMILL

MODEL/PART BOOK LISTING

PAGE 3
INI023P1

RUN DATE: 3/10/97
RUN TIME: 16:22:17

KEY NUMBER	PART NUMBER	DESCRIPTION	QUANTITY
#	101897	14" WHITE WIRE, 2F	1
#	101896	4" WHITE WIRE, M/F	1
#	131807	USER'S MANUAL	1
#	131808	LITERATURE PACKET	1
.	.	131807 USER'S MANUAL	1
.	.	119038 KEY/CLIP	1
.	.	129740 BASE PAD	7
.	.	133060 HARDWARE KIT	1
.	.	126040 ALLEN WRENCH	1
.	.	016028 CLAMP	1
.	.	131826 SCREW	4
.	.	105477 NUT	2
.	.	124614 3.5" SCREW	2
.	.	014132 3/8" WASHER	2
.	.	126996 #8 SCREW	8