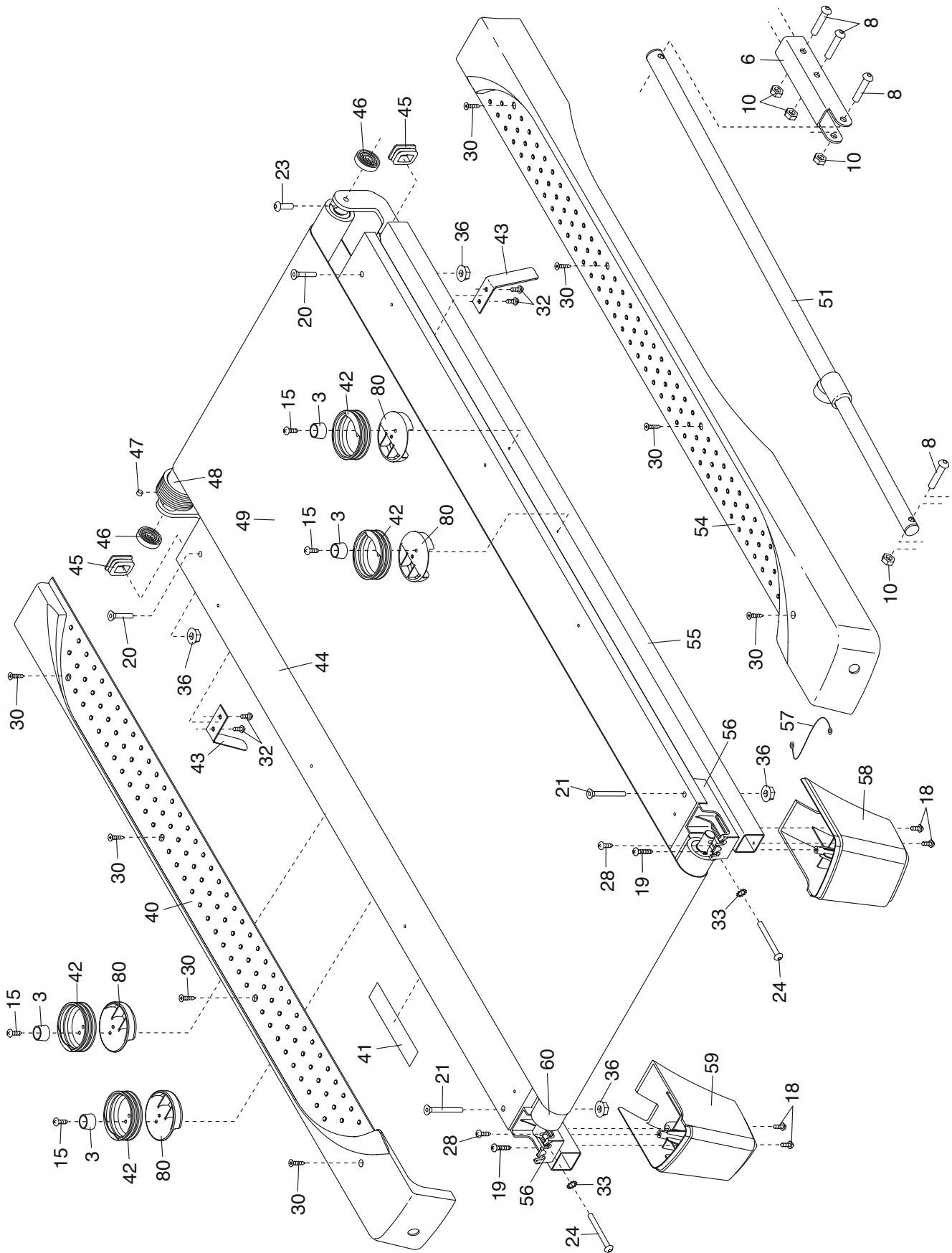


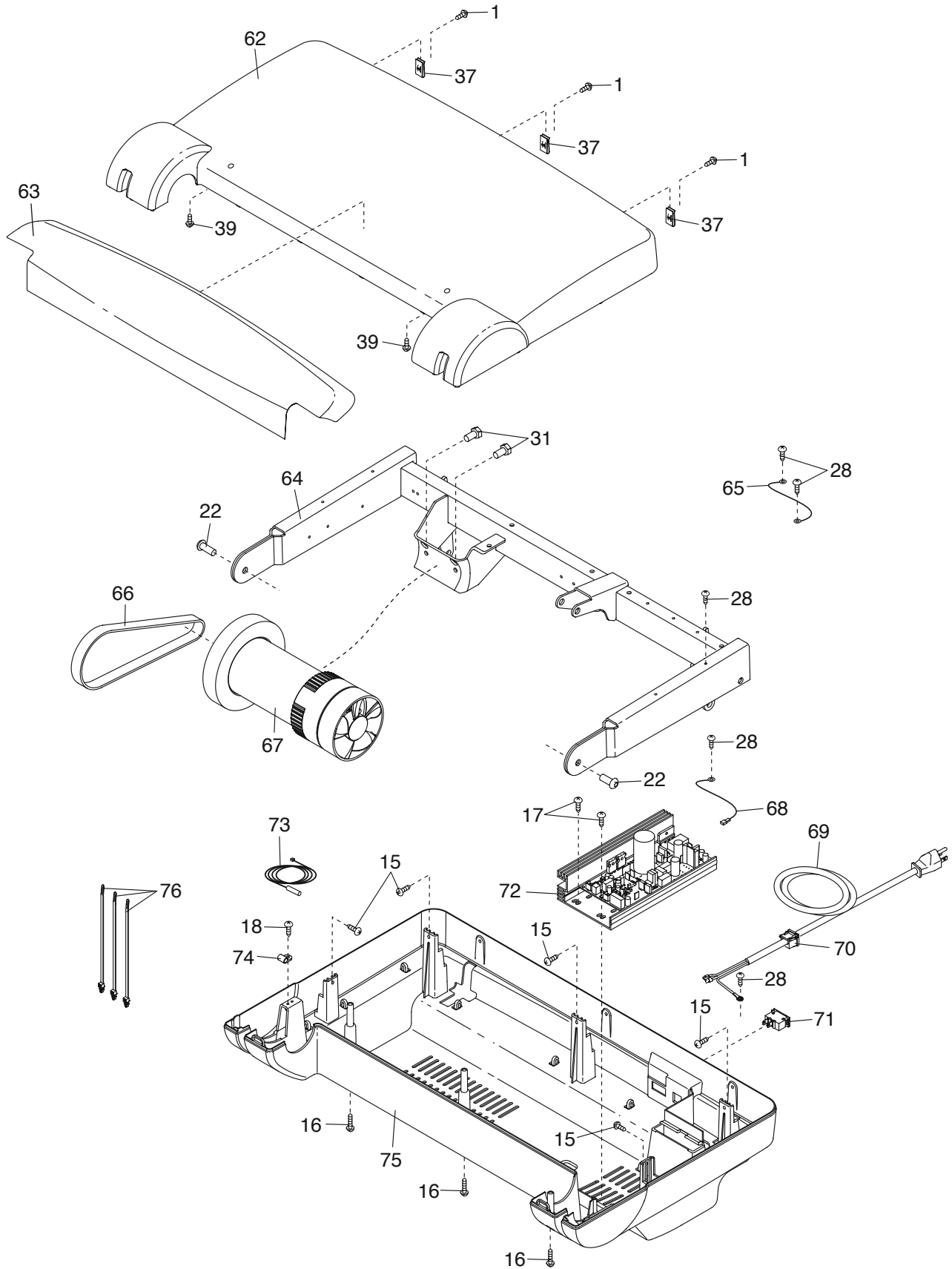
EXPLODED DRAWING A

Model No. PFTL49613.0 R0713C



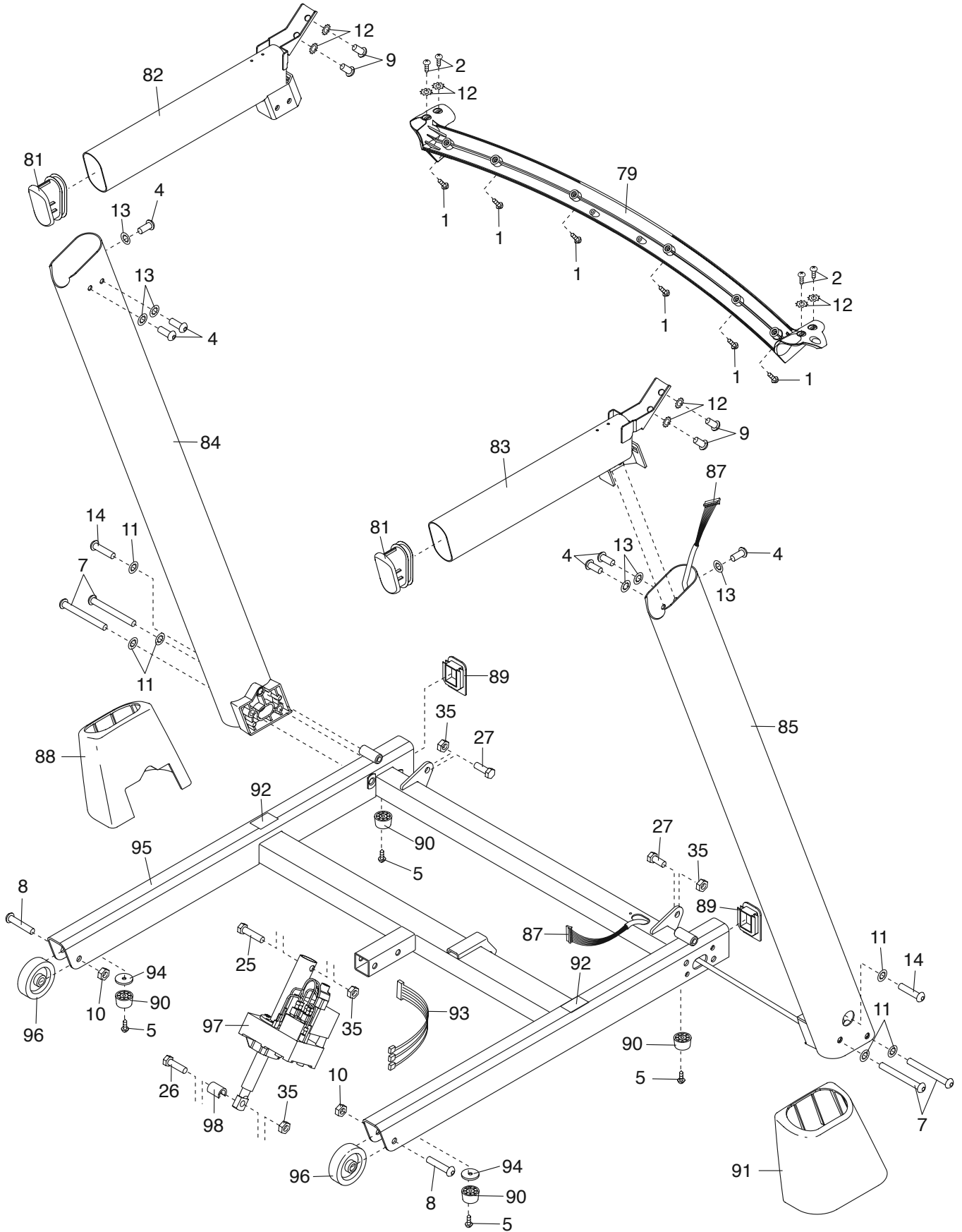
EXPLODED DRAWING B

Model No. PFTL49613.0 R0713C



EXPLODED DRAWING C

Model No. PFTL49613.0 R0713C



EXPLODED DRAWING D

Model No. PFTL49613.0 R0713C

