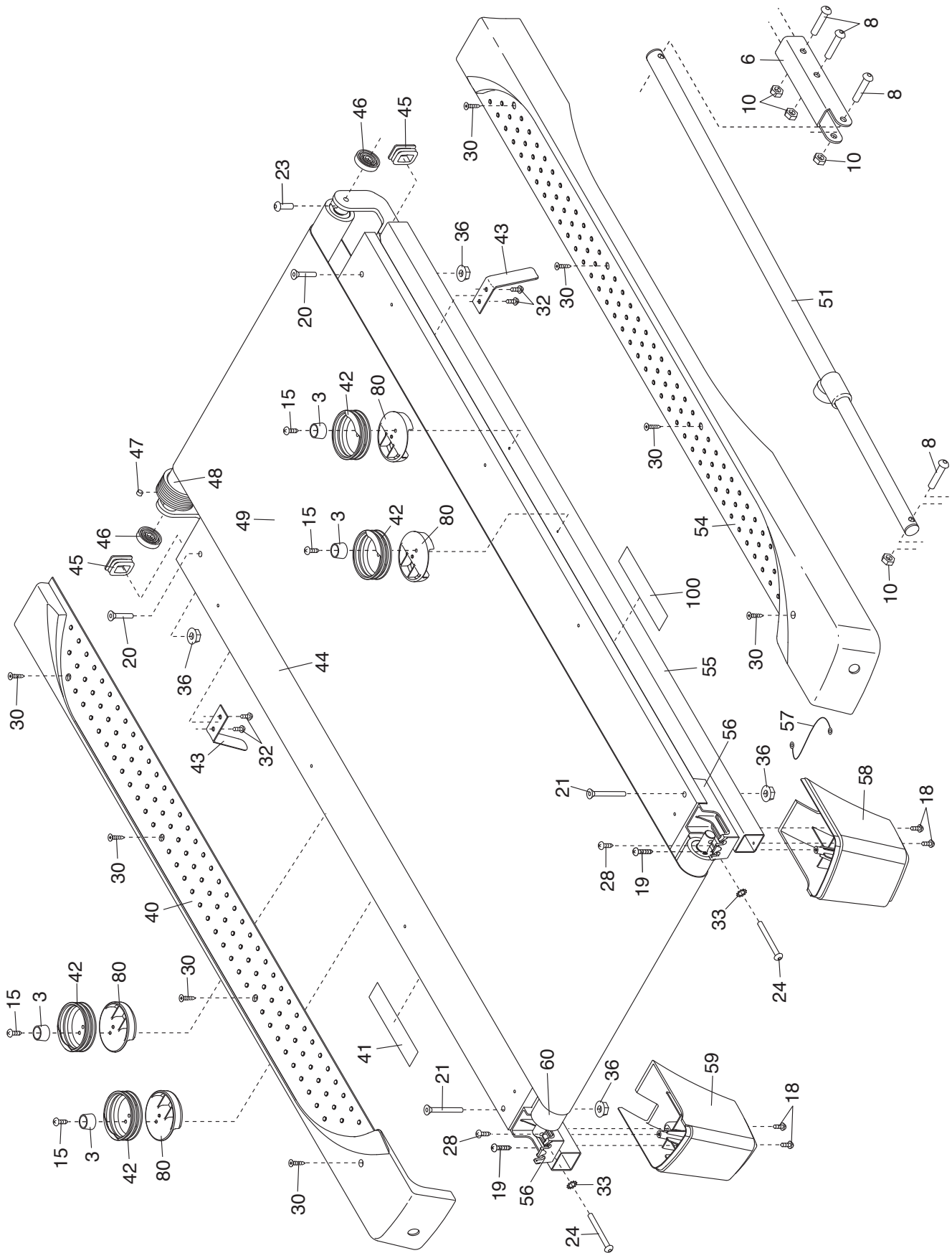


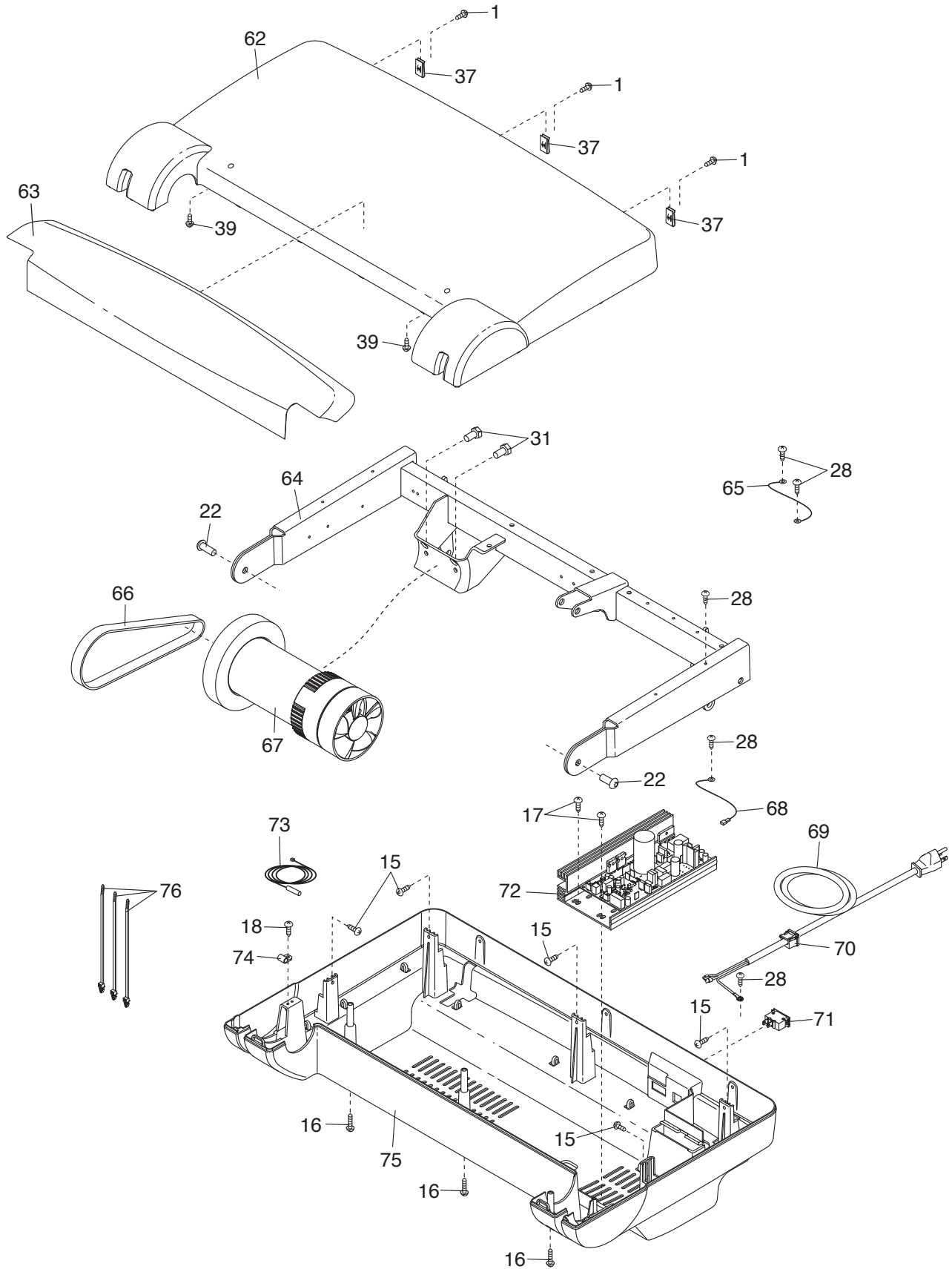
EXPLODED DRAWING A

Model No. PFTL49613C.0 R0414A



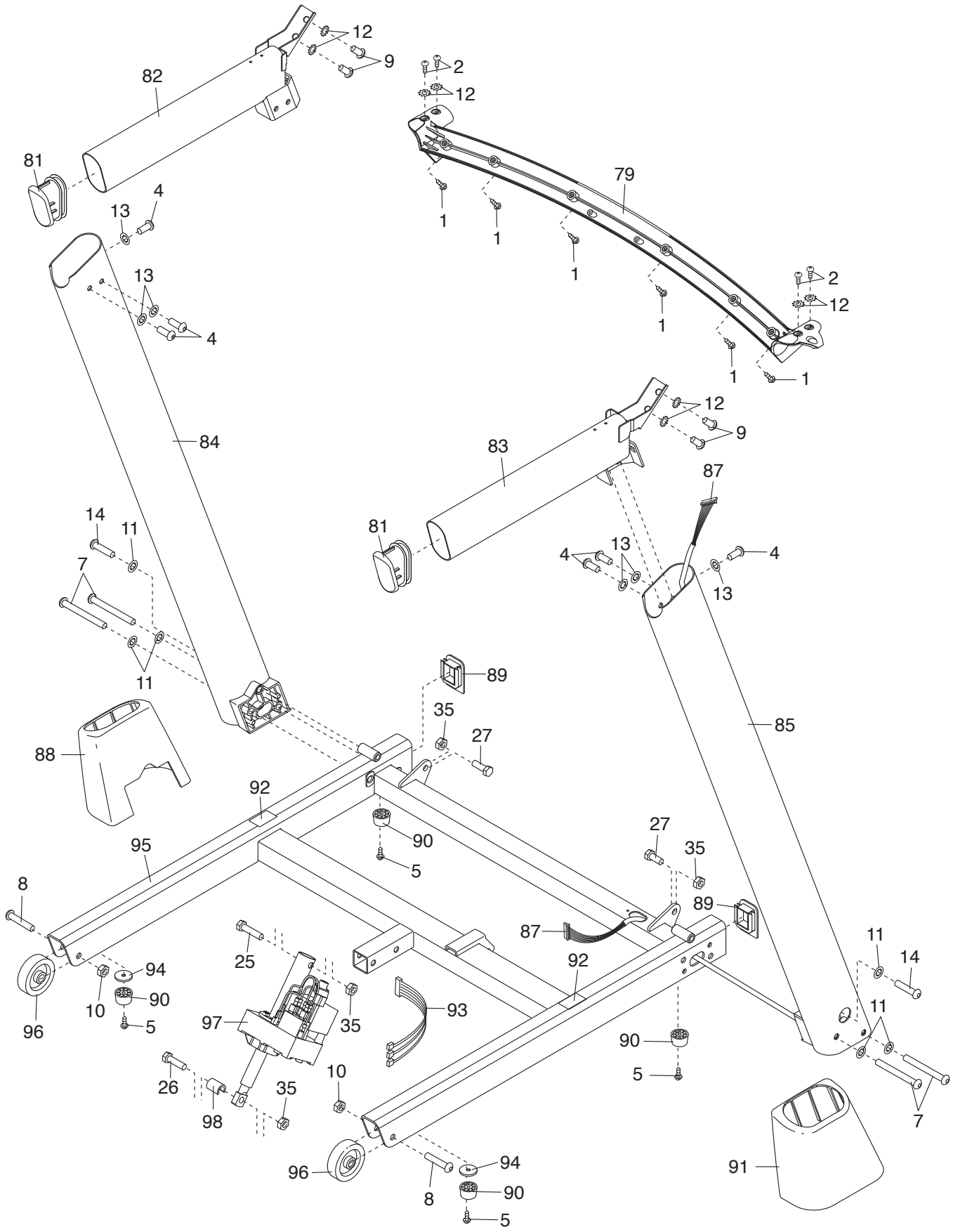
EXPLODED DRAWING B

Model No. PFTL49613C.0 R0414A



EXPLODED DRAWING C

Model No. PFTL49613C.0 R0414A



EXPLODED DRAWING D

Model No. PFTL49613C.0 R0414A

