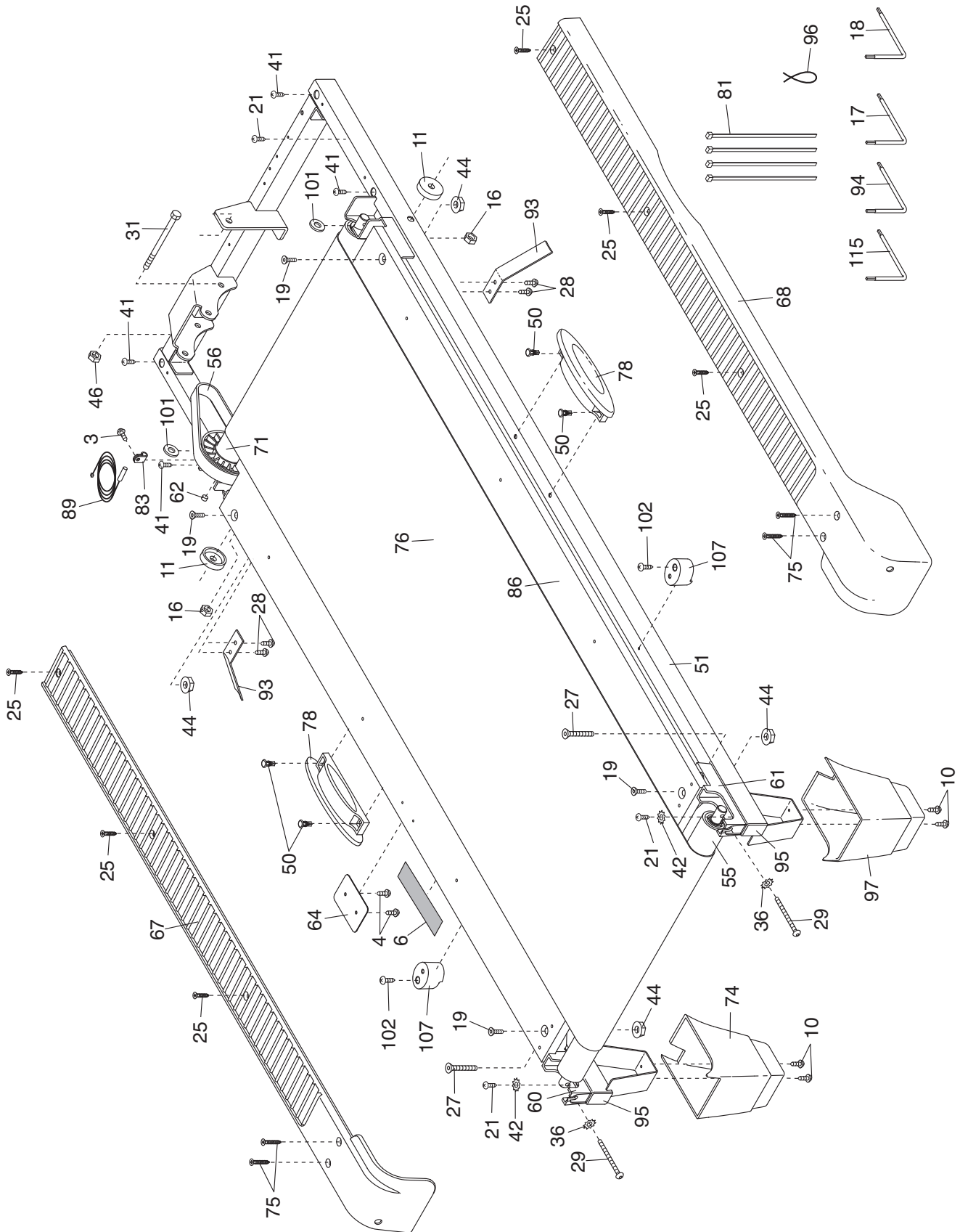


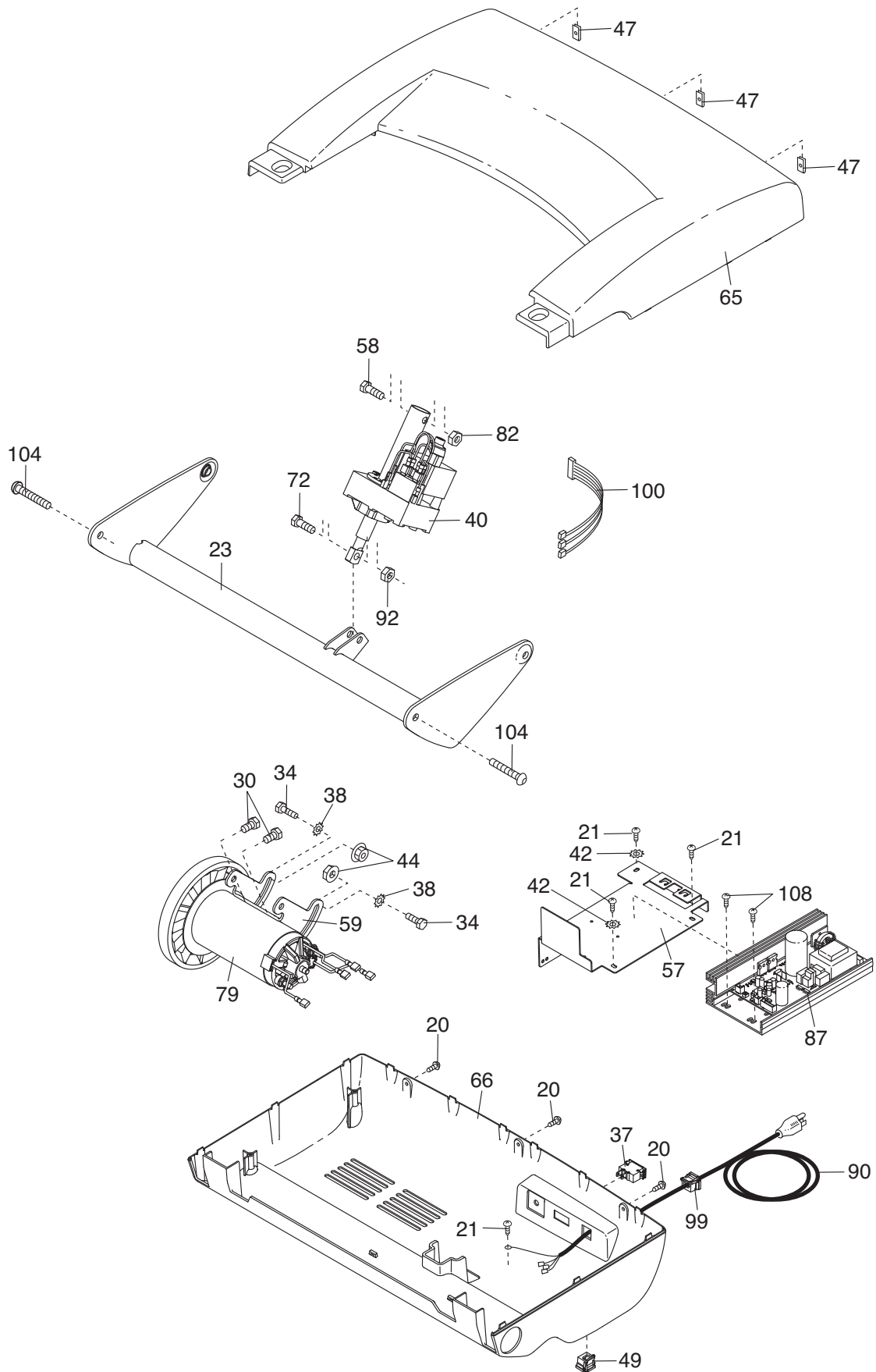
EXPLODED DRAWING A – Model No. PFTL49909.0

R0909A



EXPLODED DRAWING B—Model No. PFTL49909.0

R0909A



EXPLODED DRAWING D—Model No. PFTL49909.0

R0909A

