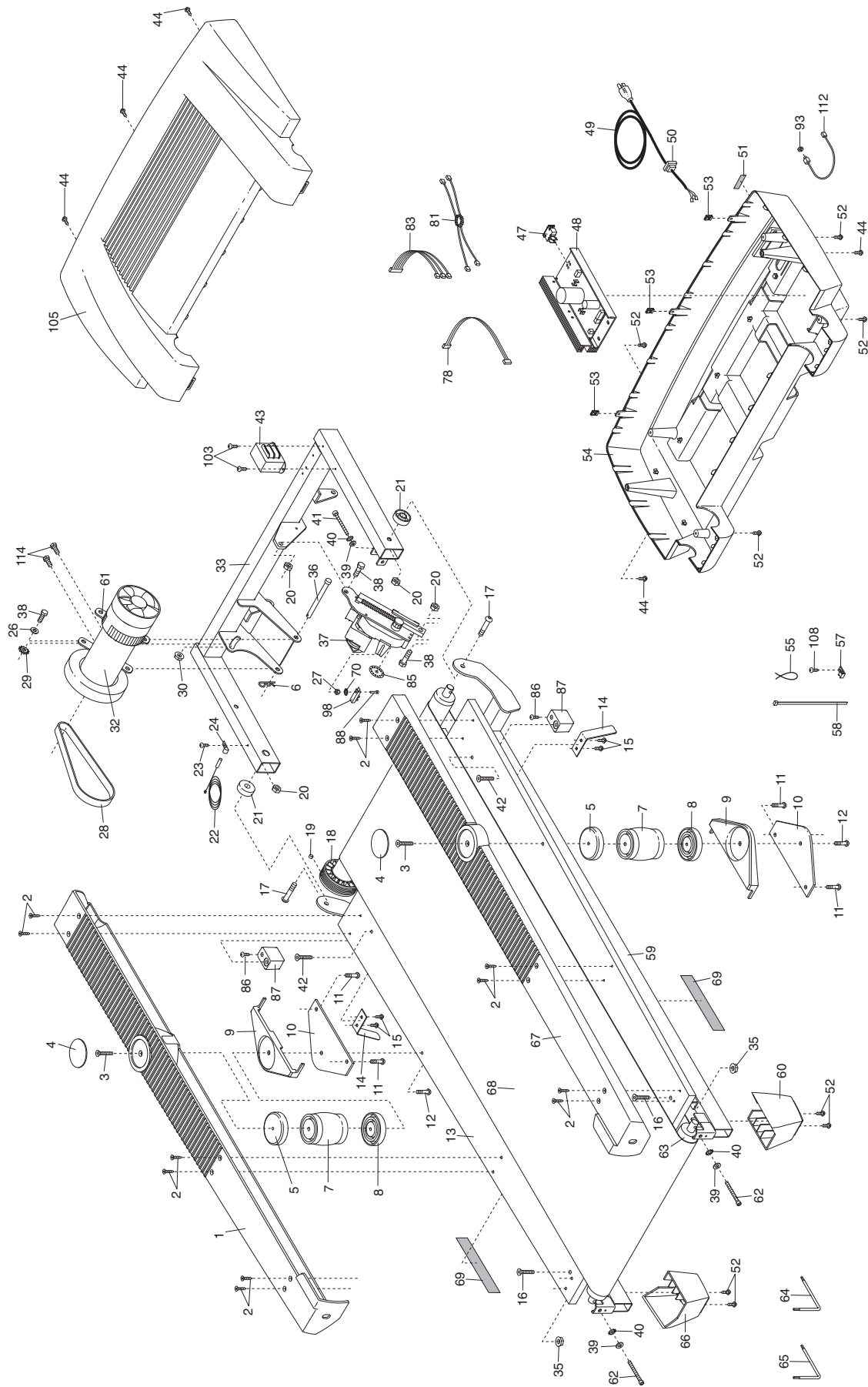


EXPLODED DRAWING—Model No. PFTL511040

R0804A



EXPLODED DRAWING—Model No. PFTL511040

R0804A

