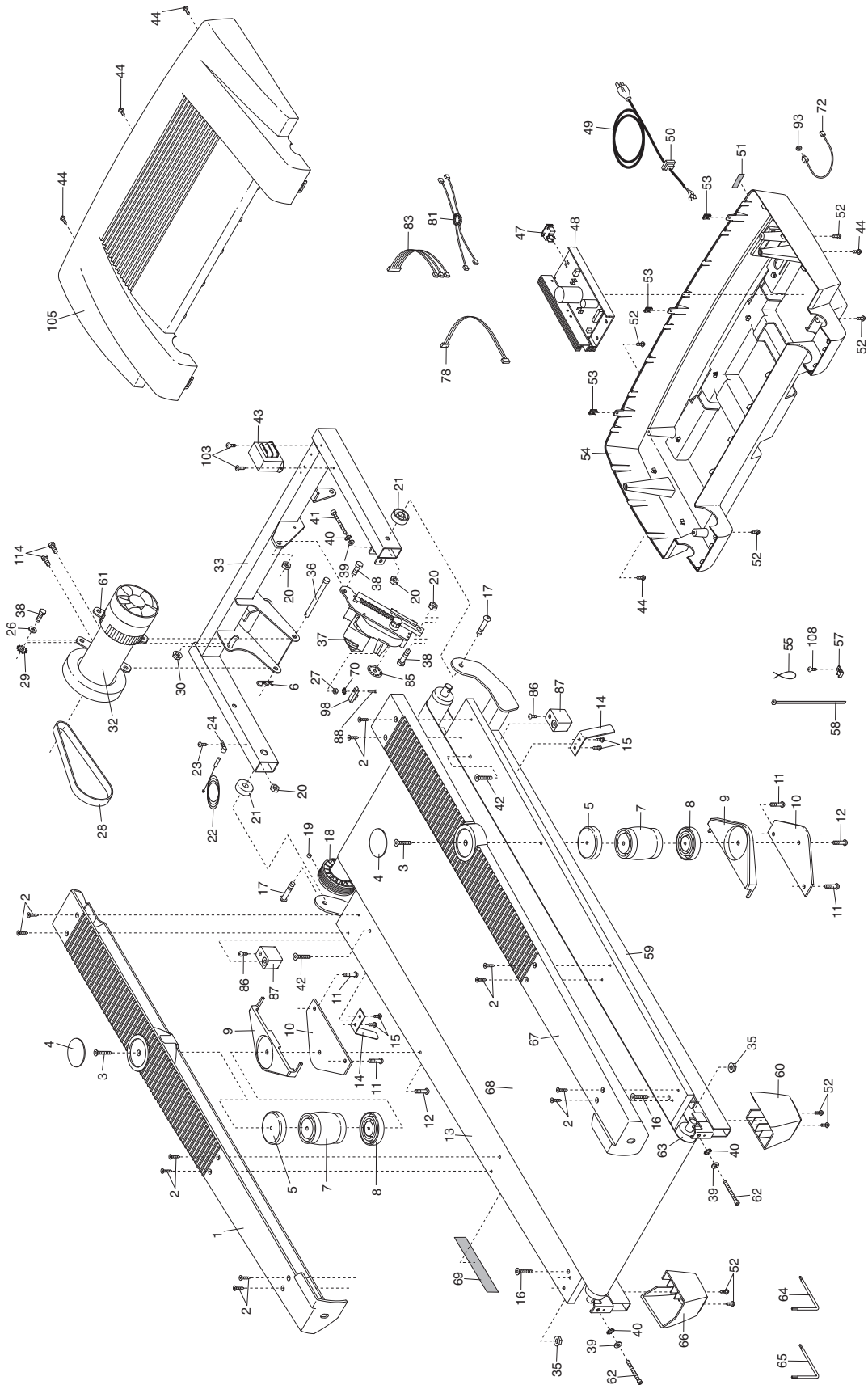


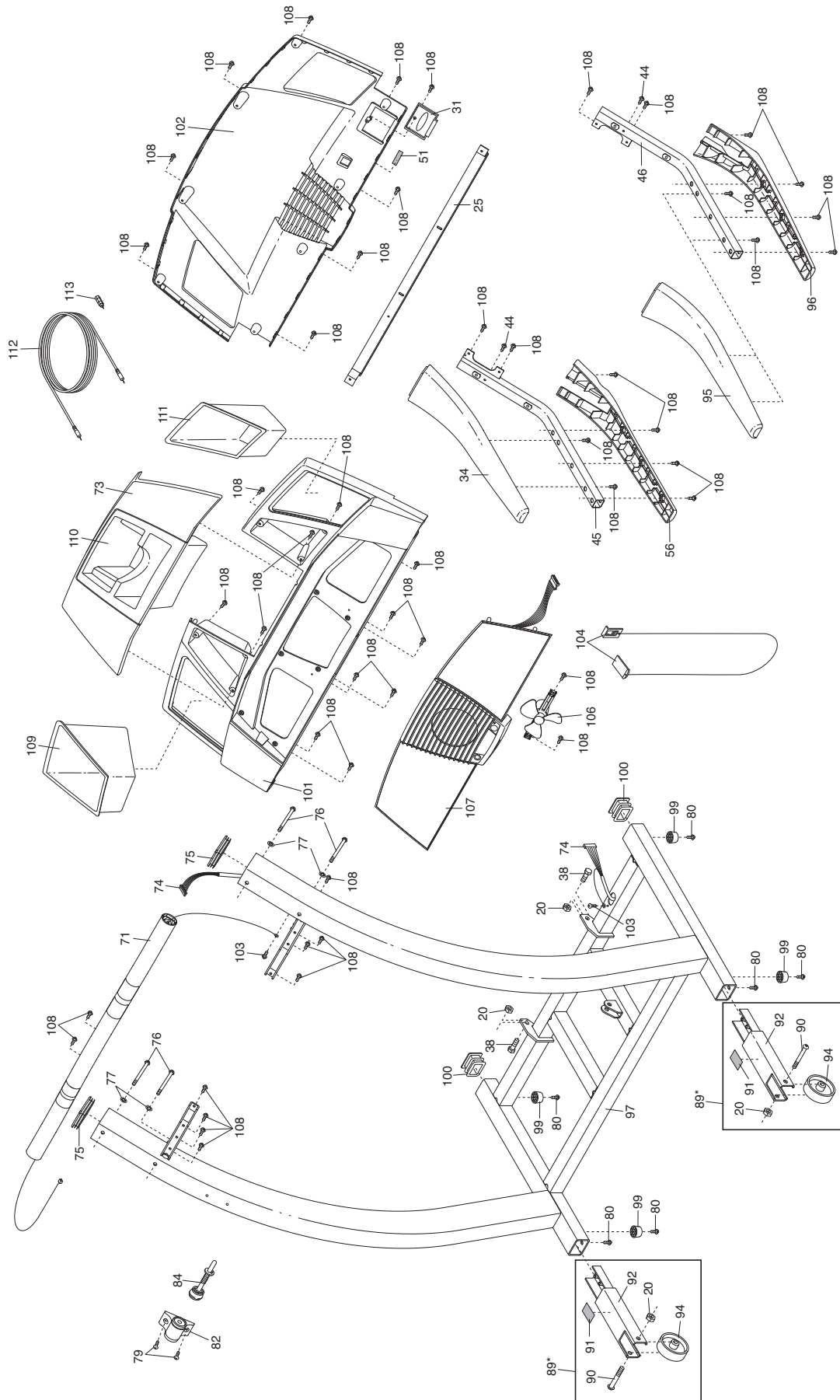
EXPLODED DRAWING—Model No. PFTL511041

R1104A



EXPLODED DRAWING—Model No. PFTL511041

R1104A



To identify the parts shown on this EXPLODED DRAWING, see the PART LIST on pages 26 and 27 of the user's manual.