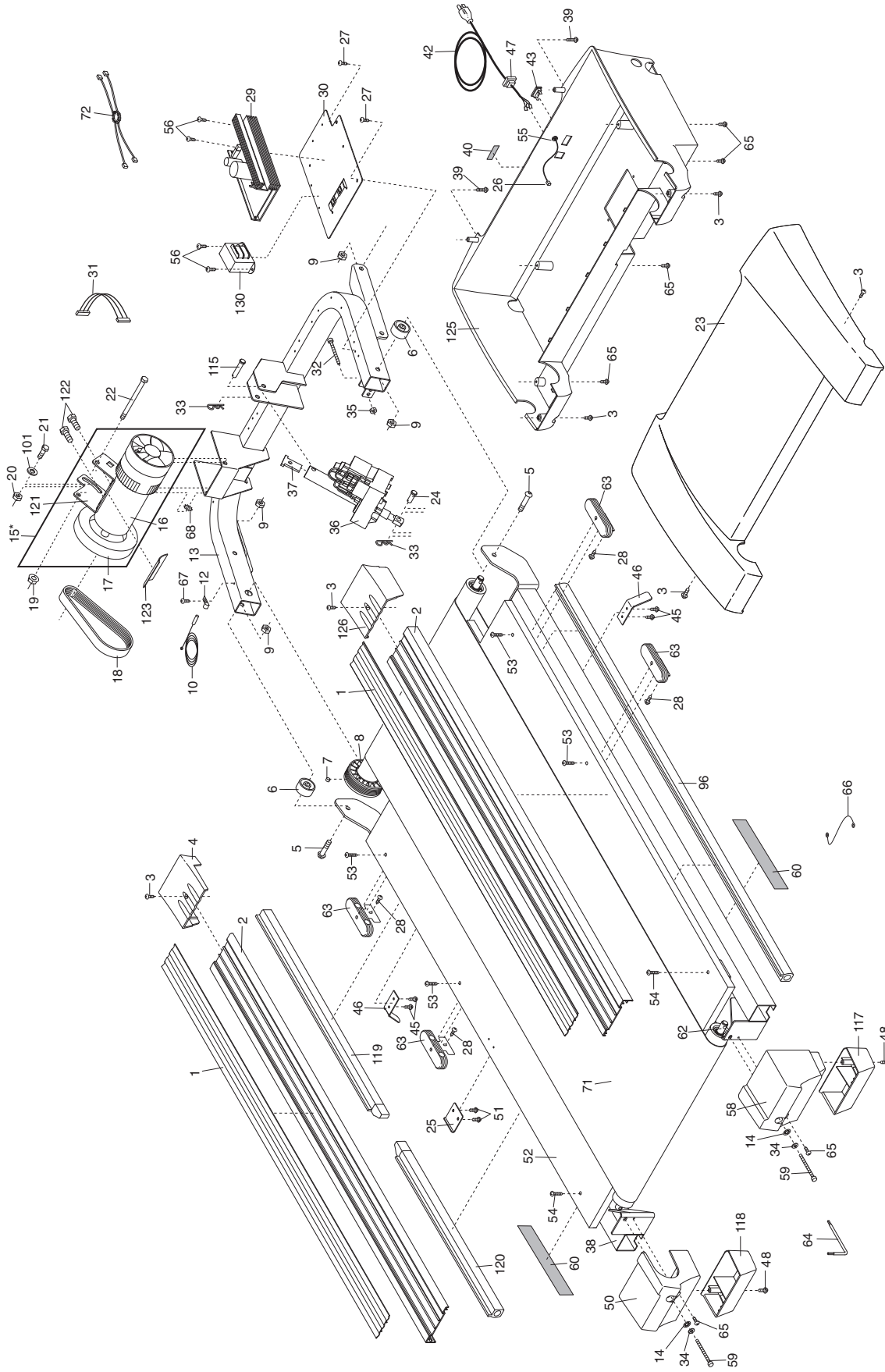


# EXPLODED DRAWING—Model No. PFTL517040

R0804C



# EXPLODED DRAWING—Model No. PFTL517040

R0804C

