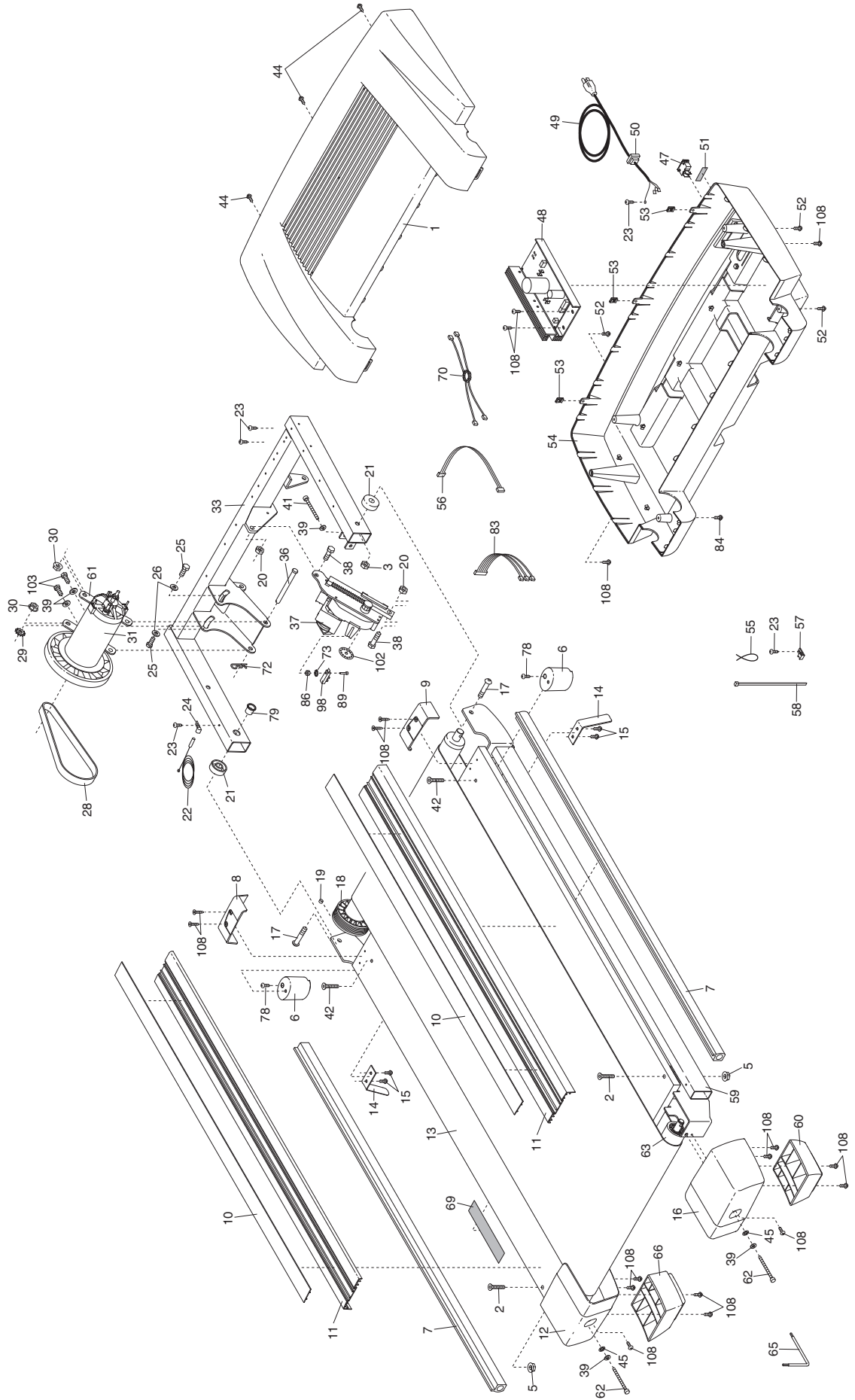


EXPLODED DRAWING—Model No. PFTL57105.0

R0605A



EXPLODED DRAWING—Model No. PFTL57105.0

R0605A

