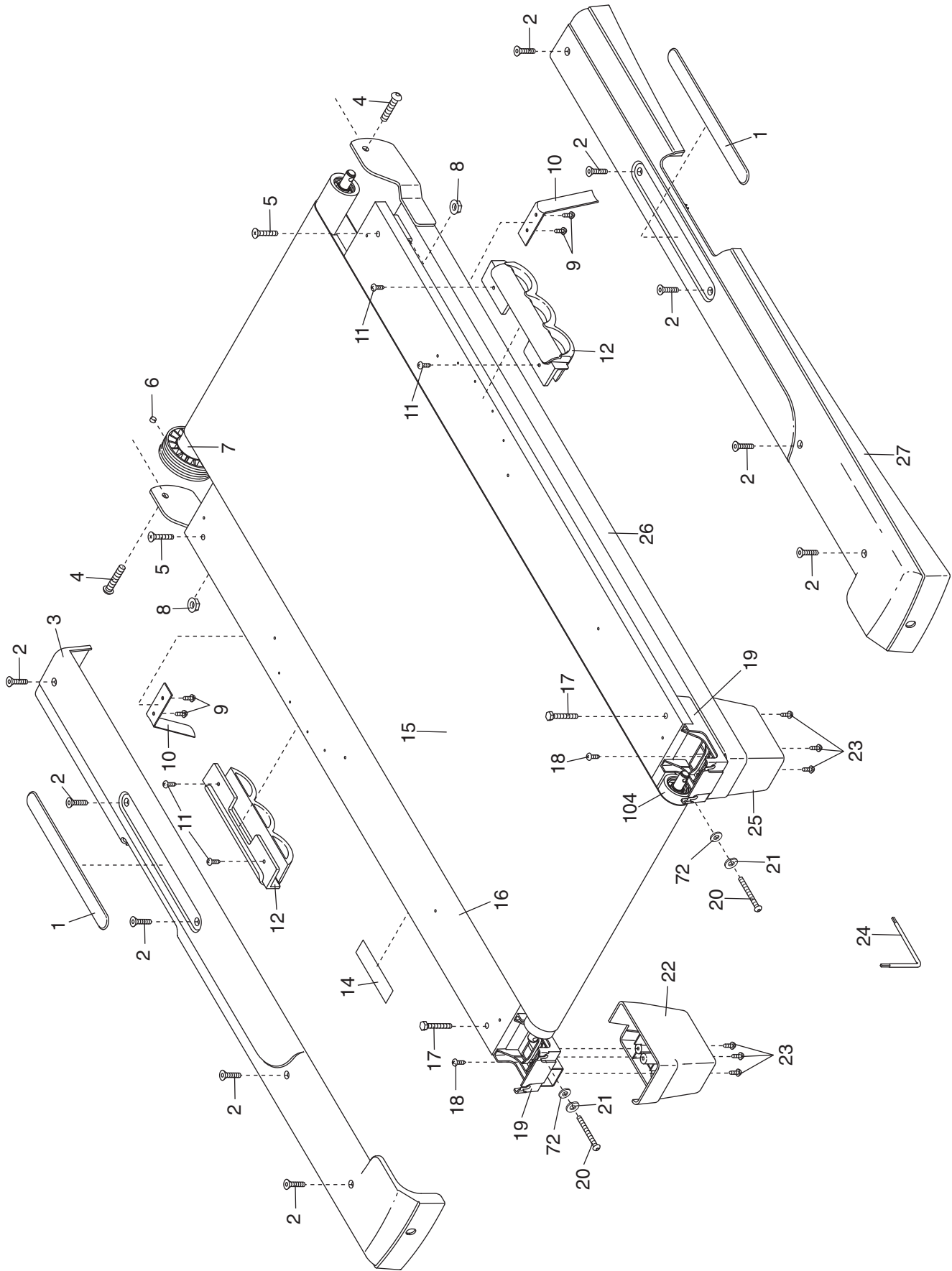


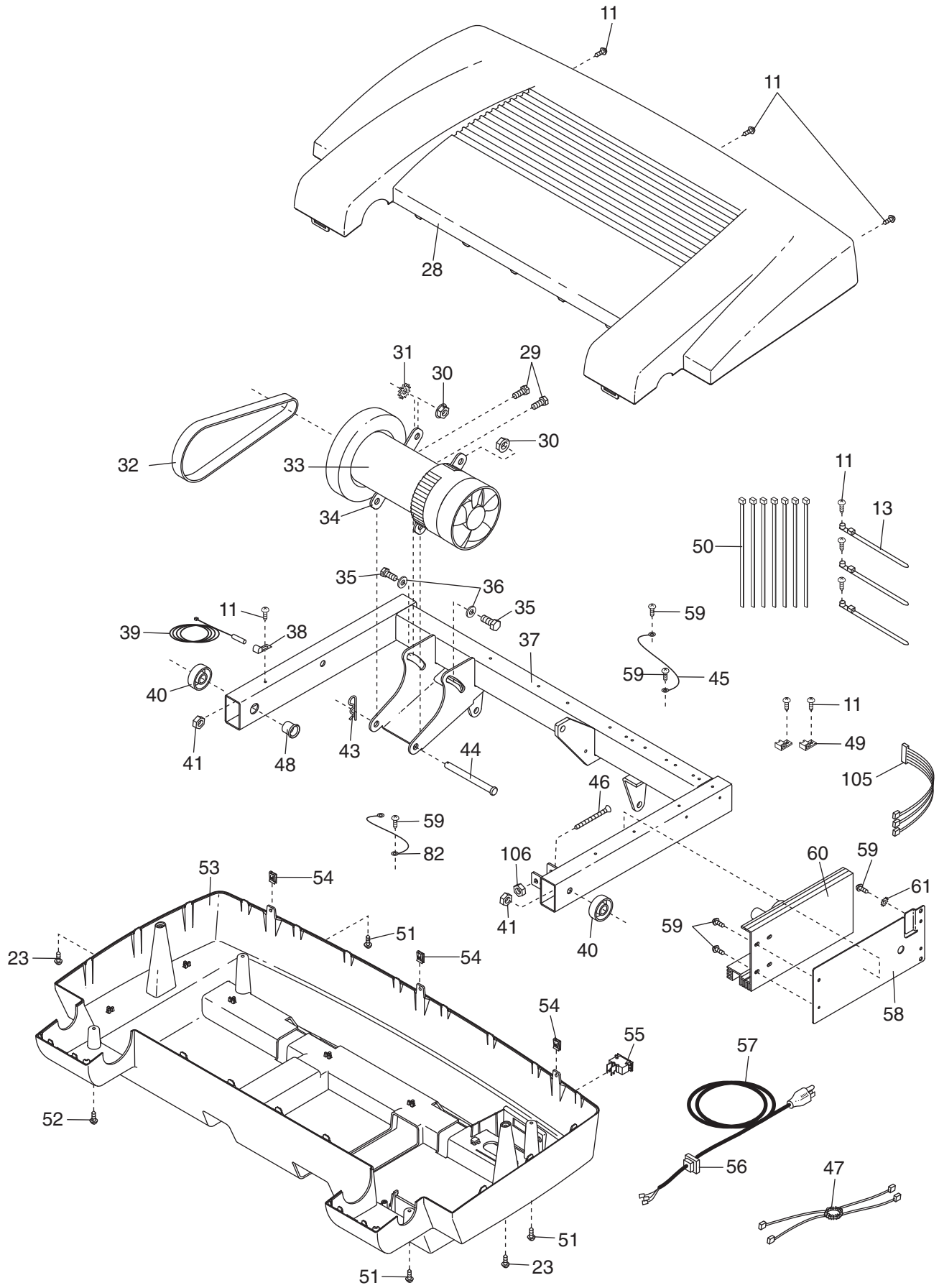
EXPLODED DRAWING A—Model No. PFTL59106.0

R0806B



EXPLODED DRAWING B—Model No. PFTL59106.0

R0806B



EXPLODED DRAWING C—Model No. PFTL59106.0

R0806B

