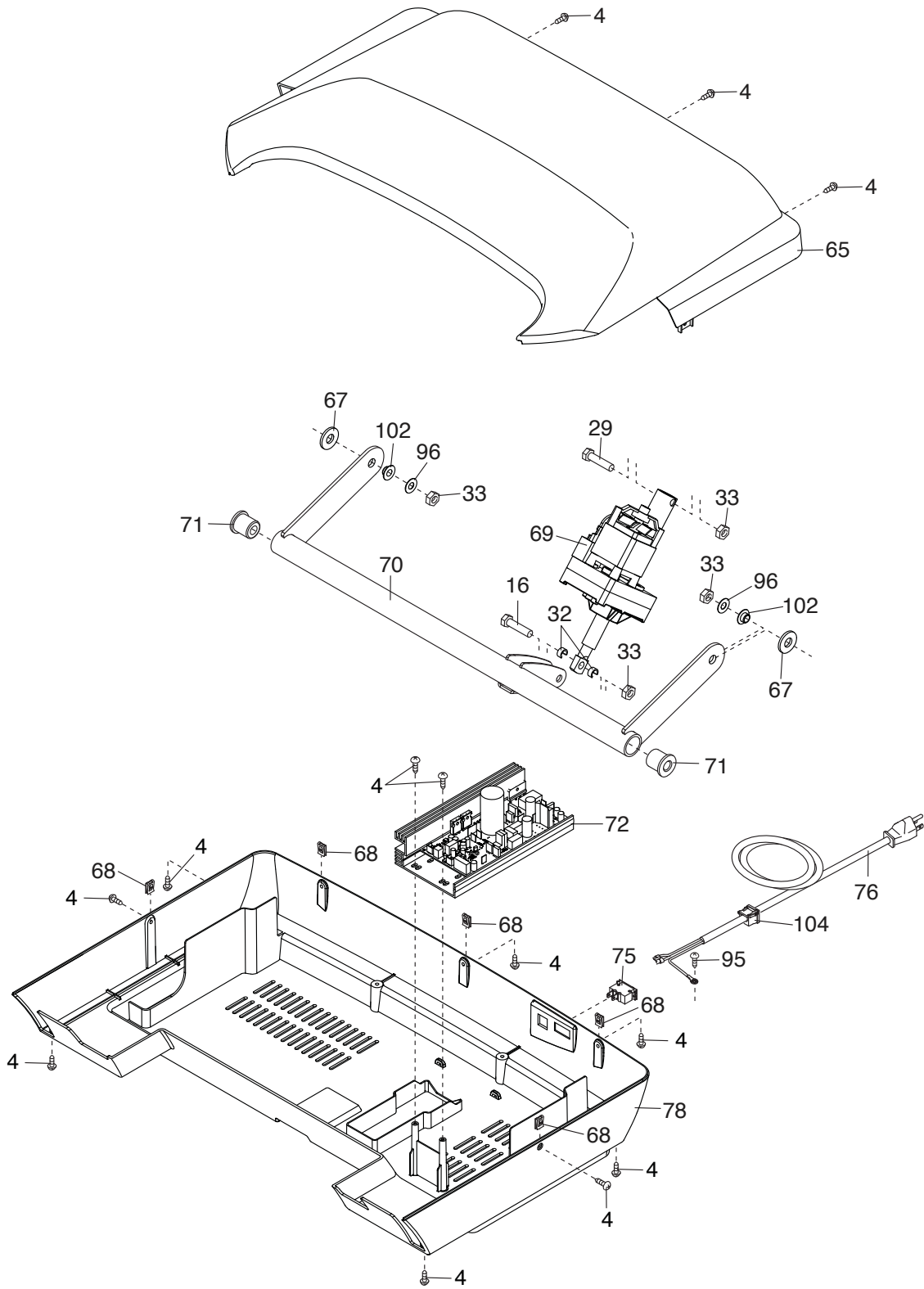


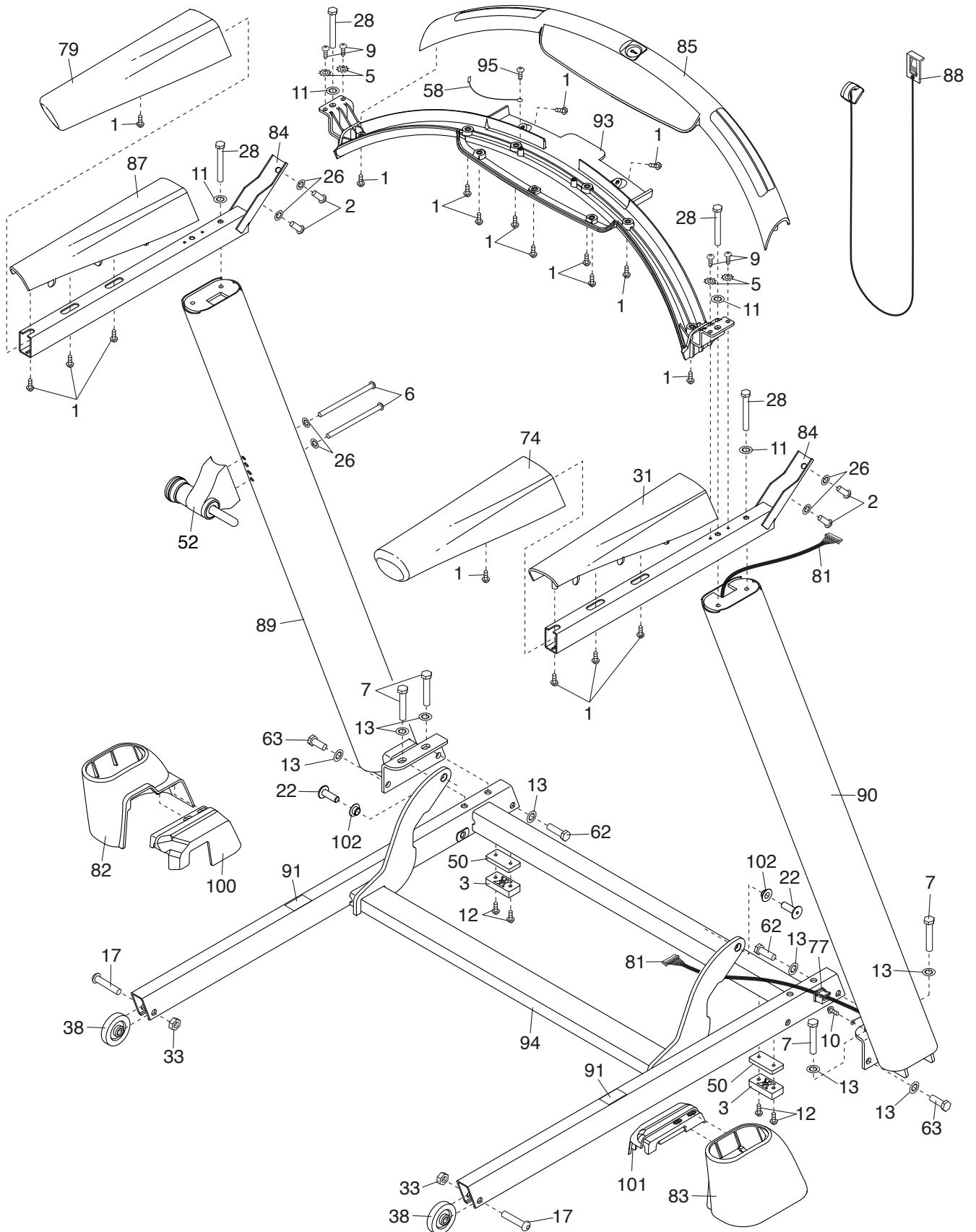
EXPLODED DRAWING B

Model No. PFTL59515.0 R0915B



EXPLODED DRAWING C

Model No. PFTL59515.0 R0915B



EXPLODED DRAWING D

Model No. PFTL59515.0 R0915B

