

PART LIST

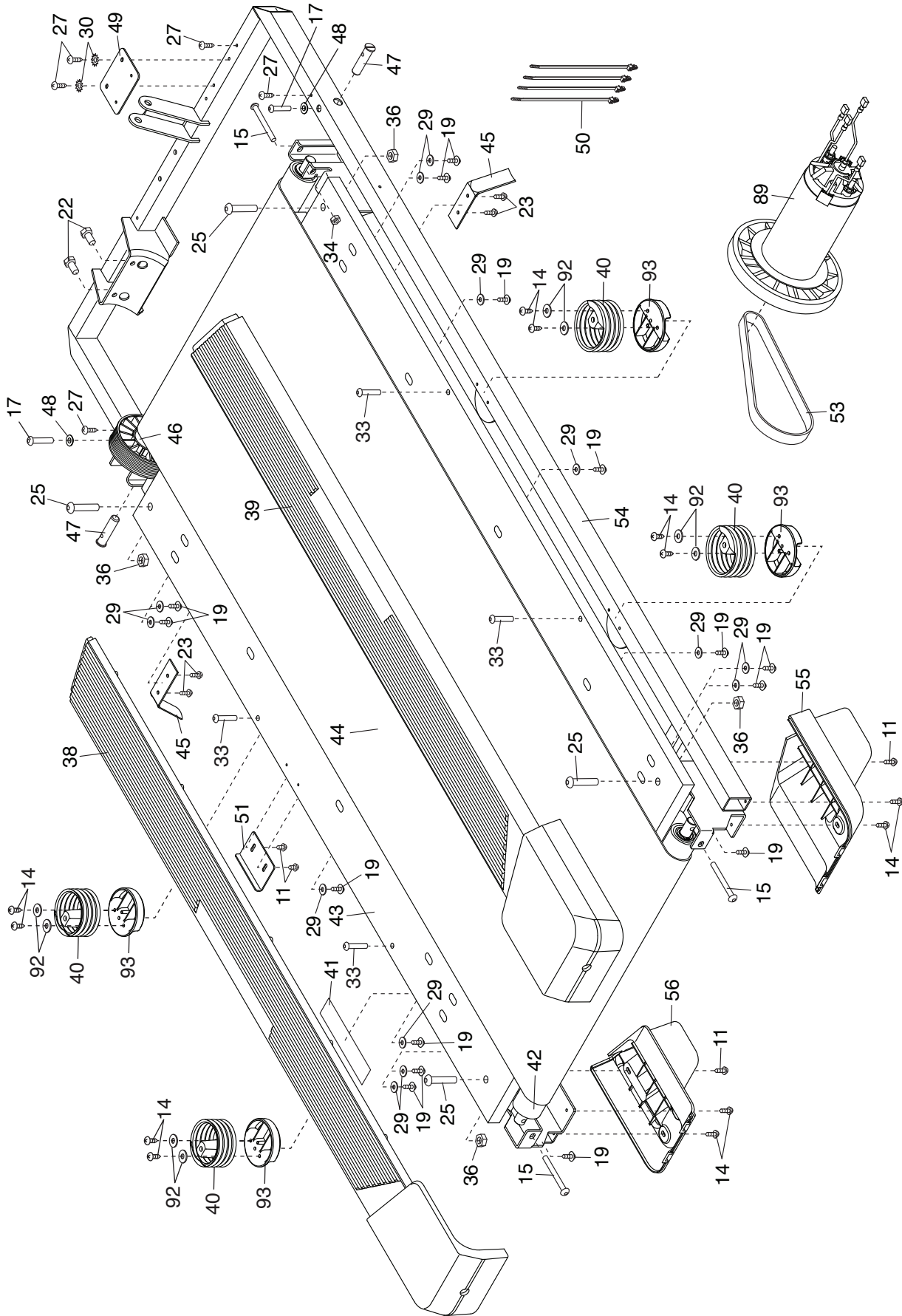
Model No. PFTL59518.3 R0719A

| Key No. | Qty. | Description | Key No. | Qty. | Description |
|---------|------|-----------------------------|---------|------|-----------------------|
| 1 | 3 | #8 x 1/2" Ground Screw | 48 | 2 | 9/32" Plastic Bushing |
| 2 | 4 | 3/8" x 2 3/8" Screw | 49 | 1 | Controller Plate |
| 3 | 2 | 3/8" x 1 1/4" Screw | 50 | 4 | Plastic Tie |
| 4 | 2 | 3/8" x 1 1/2" Screw | 51 | 1 | Latch Plate |
| 5 | 4 | 5/16" x 1 1/2" Screw | 52 | 1 | Storage Latch |
| 6 | 6 | 3/8" Star Washer | 53 | 1 | Motor Belt |
| 7 | 12 | 5/16" Star Washer | 54 | 1 | Frame |
| 8 | 4 | #10 Star Washer | 55 | 1 | Right Rear Foot |
| 9 | 6 | #10 x 3/4" Screw | 56 | 1 | Left Rear Foot |
| 10 | 8 | #8 x 1/2" Screw | 57 | 1 | Motor Hood |
| 11 | 42 | #8 x 3/4" Screw | 58 | 1 | Hood Accent |
| 12 | 2 | Wheel | 59 | 2 | Incline Frame Spacer |
| 13 | 8 | 5/16" x 3/4" Screw | 60 | 4 | 3/8" Plastic Bushing |
| 14 | 20 | #8 x 3/4" Truss Head Screw | 61 | 1 | Incline Motor |
| 15 | 3 | M6 x 55mm Screw | 62 | 2 | Frame Spacer |
| 16 | 2 | 3/8" x 1 1/8" Screw | 63 | 1 | Incline Frame |
| 17 | 2 | 1/4" x 1 1/4" Screw | 64 | 2 | Incline Motor Spacer |
| 18 | 2 | Handrail Cap | 65 | 1 | Controller |
| 19 | 15 | #8 x 5/8" Screw | 66 | 1 | Power Cord |
| 20 | 1 | 3/8" x 1 3/4" Bolt | 67 | 1 | Power Cord Grommet |
| 21 | 1 | 3/8" x 1 1/2" Bolt | 68 | 1 | Power Switch |
| 22 | 2 | 1/4" Screw | 69 | 1 | Belly Pan |
| 23 | 4 | #8 x 7/16" Screw | 70 | 1 | Left Handrail Cover |
| 24 | 2 | Wire Tie | 71 | 1 | Right Handrail Cover |
| 25 | 4 | 3/8" x 1 1/2" Bolt | 72 | 2 | Handrail |
| 26 | 1 | Key/Clip | 73 | 1 | Console Frame |
| 27 | 6 | #8 x 1/2" Washer Head Screw | 74 | 1 | Console Base |
| 28 | 6 | #8 x 1" Screw | 75 | 1 | Pulse Crossbar |
| 29 | 13 | 7/32" Washer | 76 | 3 | Console Ground Wire |
| 30 | 2 | #8 Star Washer | 77 | 1 | Upright Crossbar |
| 31 | 1 | Console | 78 | 1 | Left Upright |
| 32 | 2 | 3/8" Thrust Washer | 79 | 1 | Right Upright |
| 33 | 4 | 1/4" x 1 1/4" Screw | 80 | 1 | Upright Wire |
| 34 | 1 | M6 Nut | 81 | 2 | Grommet |
| 35 | 3 | #8 Clip | 82 | 4 | Base Cap |
| 36 | 10 | 3/8" Jam Nut | 83 | 2 | Front Base Pad |
| 37 | 2 | 3/8" x 2 1/2" Bolt | 84 | 2 | Base Pad |
| 38 | 1 | Left Foot Rail | 85 | 1 | Left Tray |
| 39 | 1 | Right Foot Rail | 86 | 1 | Right Tray |
| 40 | 4 | Platform Cushion | 87 | 2 | Warning Decal |
| 41 | 1 | Caution Decal | 88 | 1 | Base |
| 42 | 1 | Rear Roller | 89 | 1 | Drive Motor |
| 43 | 1 | Walking Platform | 90 | 4 | M4 x 16mm Screw |
| 44 | 1 | Walking Belt | 91 | 1 | Tablet Holder |
| 45 | 2 | Belt Guide | 92 | 8 | M5 Washer |
| 46 | 1 | Front Roller/Pulley | 93 | 4 | Cushion Bottom |
| 47 | 2 | 3/8" Pin | * | - | User's Manual |

Note: Specifications are subject to change without notice. For information about ordering replacement parts, see the back cover of this manual. *These parts are not illustrated.

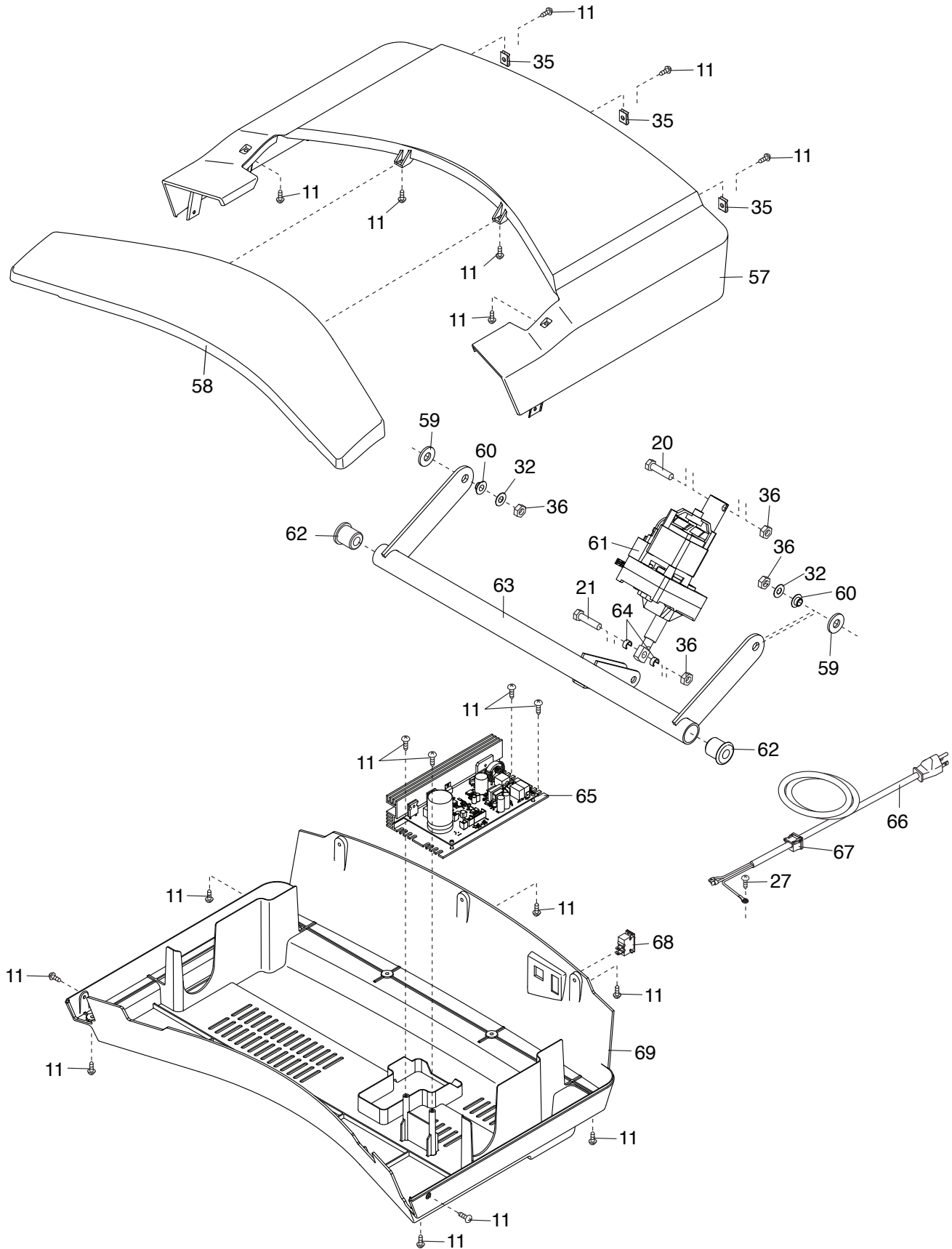
EXPLODED DRAWING A

Model No. PFTL59518.3 R0719A



EXPLODED DRAWING B

Model No. PFTL59518.3 R0719A



EXPLODED DRAWING D

Model No. PFTL59518.3 R0719A

