

# PART LIST

Model No. PFTL59720.0 R0819B

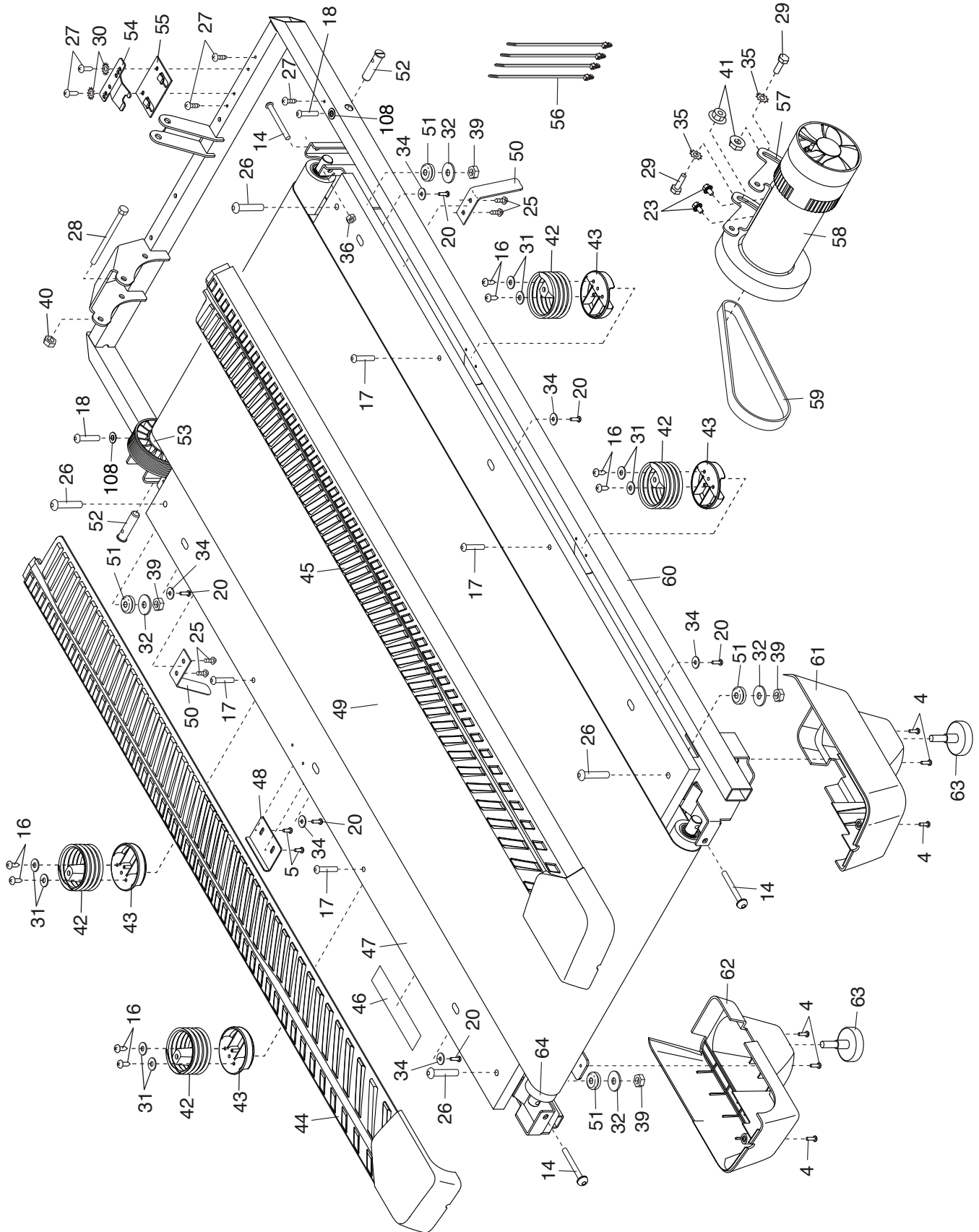
Key No.	Qty.	Description	Key No.	Qty.	Description
1	2	3/8" x 1 1/4" Screw	51	4	Rubber Cushion
2	2	3/8" x 1 3/4" Screw	52	2	3/8" Pin
3	4	3/8" x 2 3/8" Screw	53	1	Drive Roller/Pulley
4	65	#8 x 3/4" Screw	54	1	Controller Clamp
5	13	#8 x 1/2" Screw	55	1	Electronics Plate
6	4	#10 x 3/4" Screw	56	4	Cable Tie
7	4	5/16" x 2 1/4" Screw	57	1	Motor Bracket
8	2	1/4" x 4 1/2" Screw	58	1	Drive Motor
9	1	#8 x 1/2" Ground Screw	59	1	Motor Belt
10	10	1/4" Star Washer	60	1	Frame
11	8	3/8" Star Washer	61	1	Right Rear Foot
12	4	5/16" Star Washer	62	1	Left Rear Foot
13	2	3/8" x 1 3/8" Bolt	63	2	Rear Foot
14	3	1/4" x 2 1/2" Screw	64	1	Idler Roller
15	2	3/8" x 1 1/8" Bolt	65	1	Motor Hood
16	8	#8 x 3/4" Truss Head Screw	66	1	Motor Hood Cover
17	4	1/4" x 1 1/4" Screw	67	2	Incline Frame Spacer
18	2	1/4" x 1 1/4" Patch Screw	68	2	Frame Spacer
19	4	#8 x 1" Screw	69	4	3/8" Plastic Bushing
20	6	#8 x 5/8" Screw	70	1	Incline Motor
21	1	3/8" x 1 3/4" Bolt	71	1	Incline Frame
22	1	3/8" x 1 1/2" Bolt	72	2	Incline Motor Spacer
23	2	1/4" x 3/8" Screw	73	1	Controller
24	4	1/4" x 1/2" Screw	74	1	Power Cord
25	4	#8 Belt Guide Screws	75	1	Power Cord Grommet
26	4	5/16" x 1 3/4" Bolt	76	1	Power Switch
27	7	#8 x 1/2" Washer Head Screw	77	1	Belly Pan
28	1	M8 x 102mm Screw	78	1	Left Handrail Cover
29	2	M8 x 20mm Screw	79	1	Right Handrail Cover
30	2	#8 Star Washer	80	1	Left Handrail
31	8	M5 Flat Washer	81	1	Right Handrail
32	4	5/16" Flat Washer	82	1	Left Bottom Handrail Cover
33	2	3/8" Thrust Washer	83	1	Right Bottom Handrail Cover
34	6	Small Flat Washer	84	1	Latch Assembly
35	2	M8.4 Star Washer	85	1	Left Upright
36	1	1/4" Nut	86	1	Right Upright
37	5	Hood Clip	87	1	Pulse Crossbar Bottom
38	6	3/8" Nut	88	1	Upright Wire
39	4	5/16" Nut	89	2	Grommet
40	1	M8 Nut	90	2	Base Pad Spacer
41	2	M8 Flange Nut	91	2	Base Pad
42	4	Platform Cushion	92	1	Right Base Cover
43	4	Cushion Bottom	93	1	Left Base Cover
44	1	Left Foot Rail	94	1	Right Inner Base Cover
45	1	Right Foot Rail	95	1	Left Inner Base Cover
46	1	Warning Decal	96	2	Caution Decal
47	1	Walking Platform	97	1	Base
48	1	Latch Plate	98	1	Left Tray
49	1	Walking Belt	99	1	Right Tray
50	2	Belt Guide	100	1	Console Base

Key No.	Qty.	Description	Key No.	Qty.	Description
101	1	Console Frame	106	2	Console Cable Tie
102	1	Console Ground Wire	107	2	Wheel
103	2	Console Clamp	108	2	9/32" Plastic Bushing
104	1	Key/Clip	*	–	User's Manual
105	1	Console			

Note: Specifications are subject to change without notice. For information about ordering replacement parts, see the back cover of this manual. \*These parts are not illustrated.

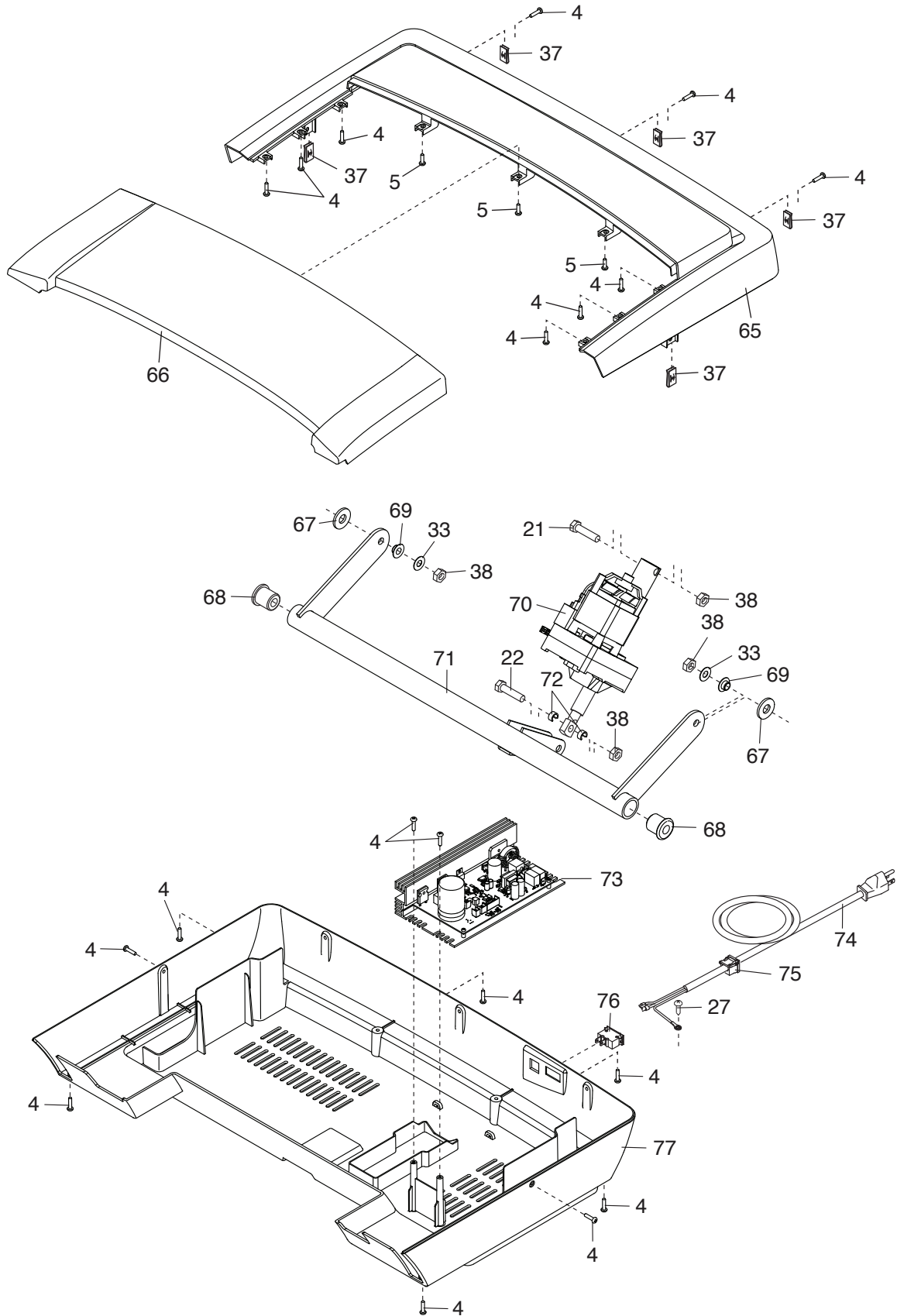
# EXPLODED DRAWING A

Model No. PFTL59720.0 R0819B



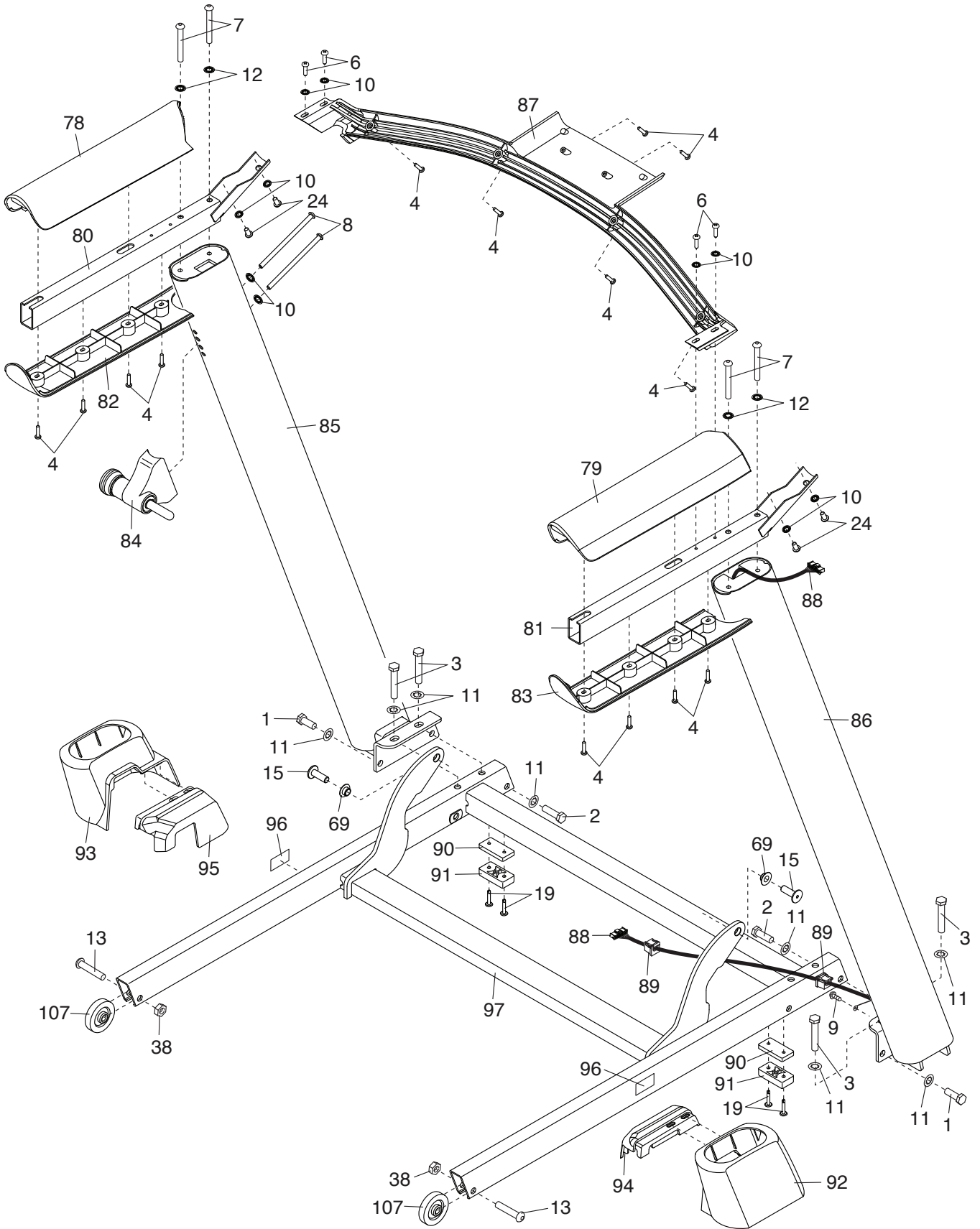
# EXPLODED DRAWING B

Model No. PFTL59720.0 R0819B



# EXPLODED DRAWING C

Model No. PFTL59720.0 R0819B



# EXPLODED DRAWING D

Model No. PFTL59720.0 R0819B

