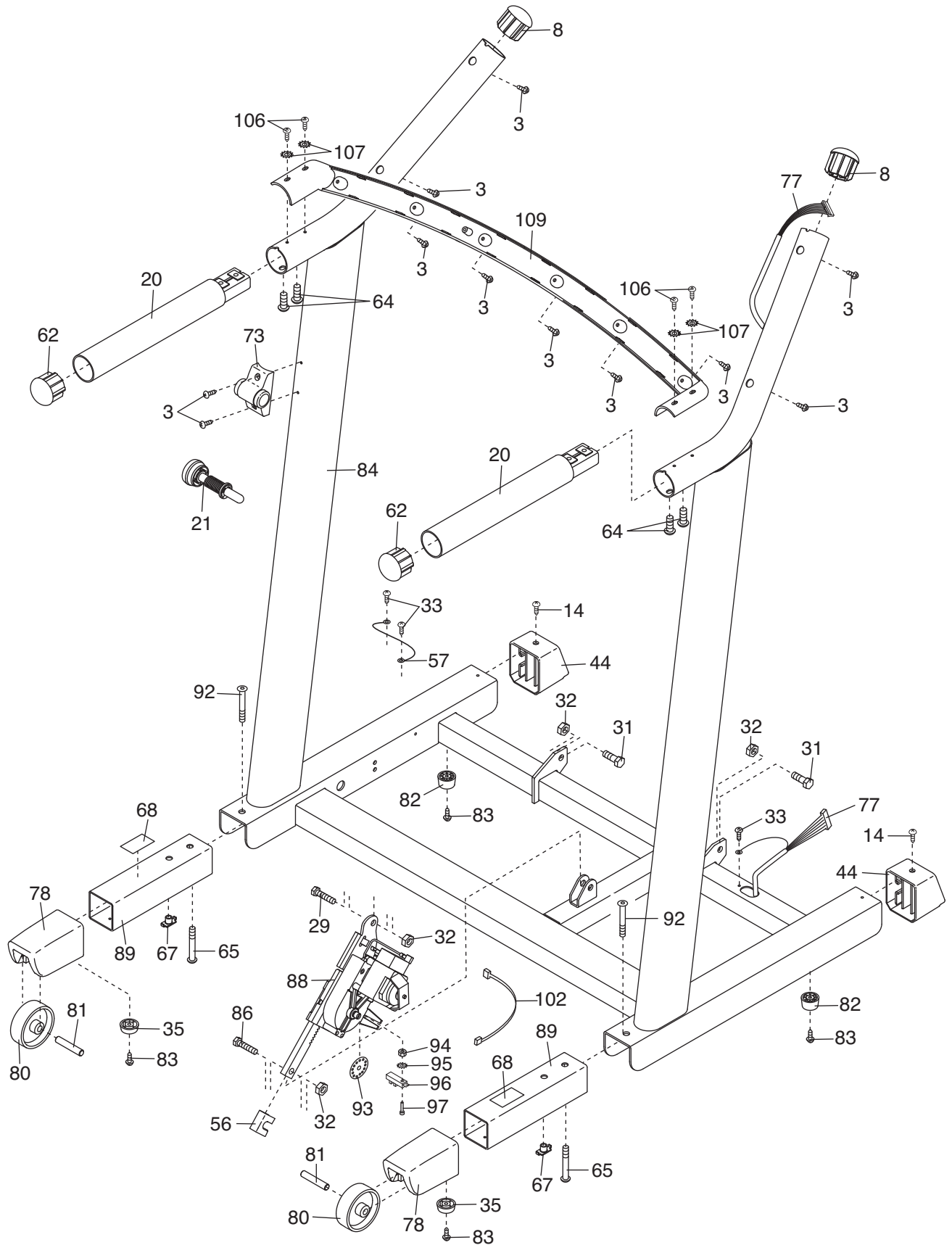


EXPLODED DRAWING C—Model No. PFTL59906.3

R0209A



EXPLODED DRAWING D—Model No. PFTL59906.3

R0209A

