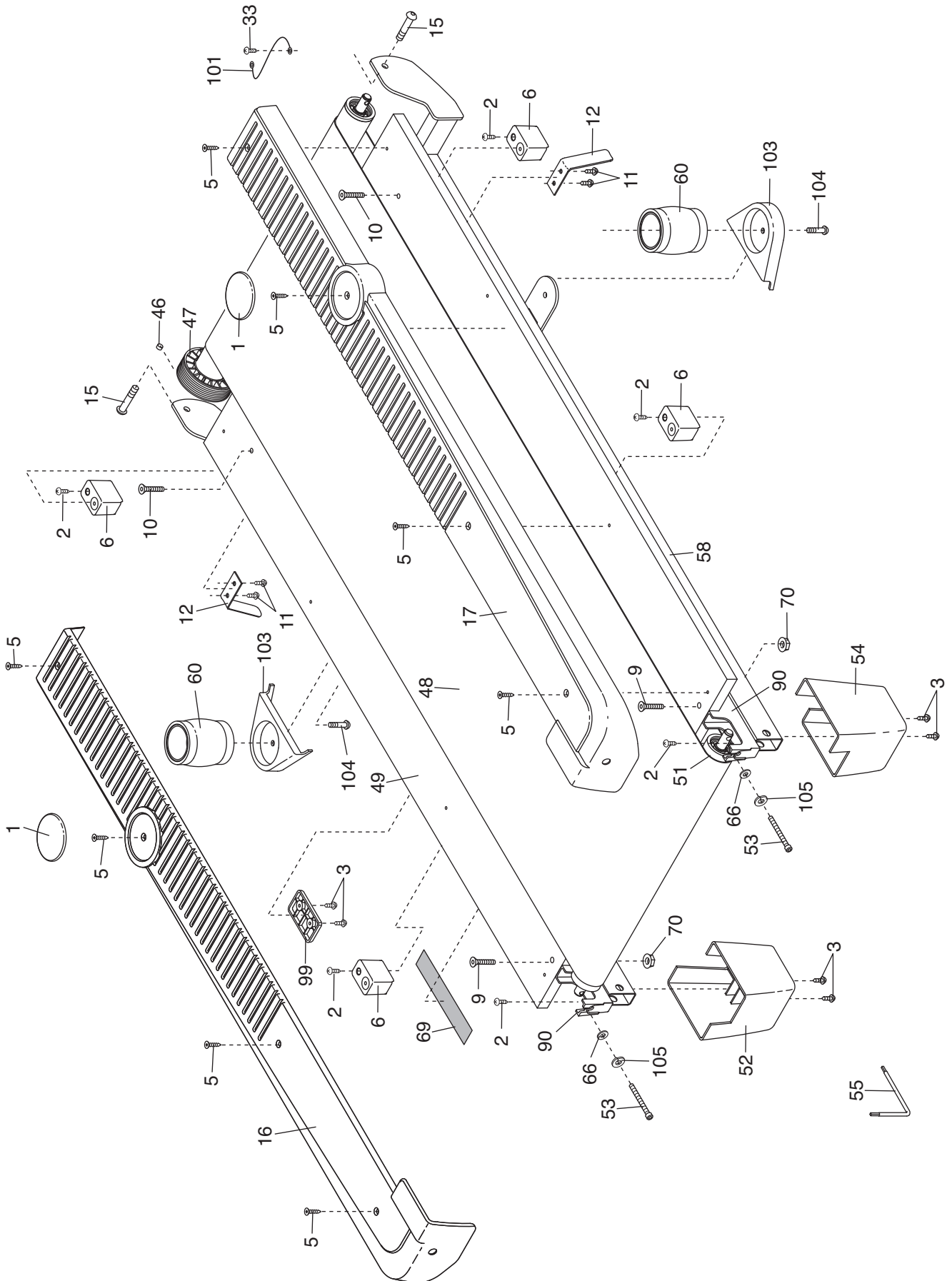


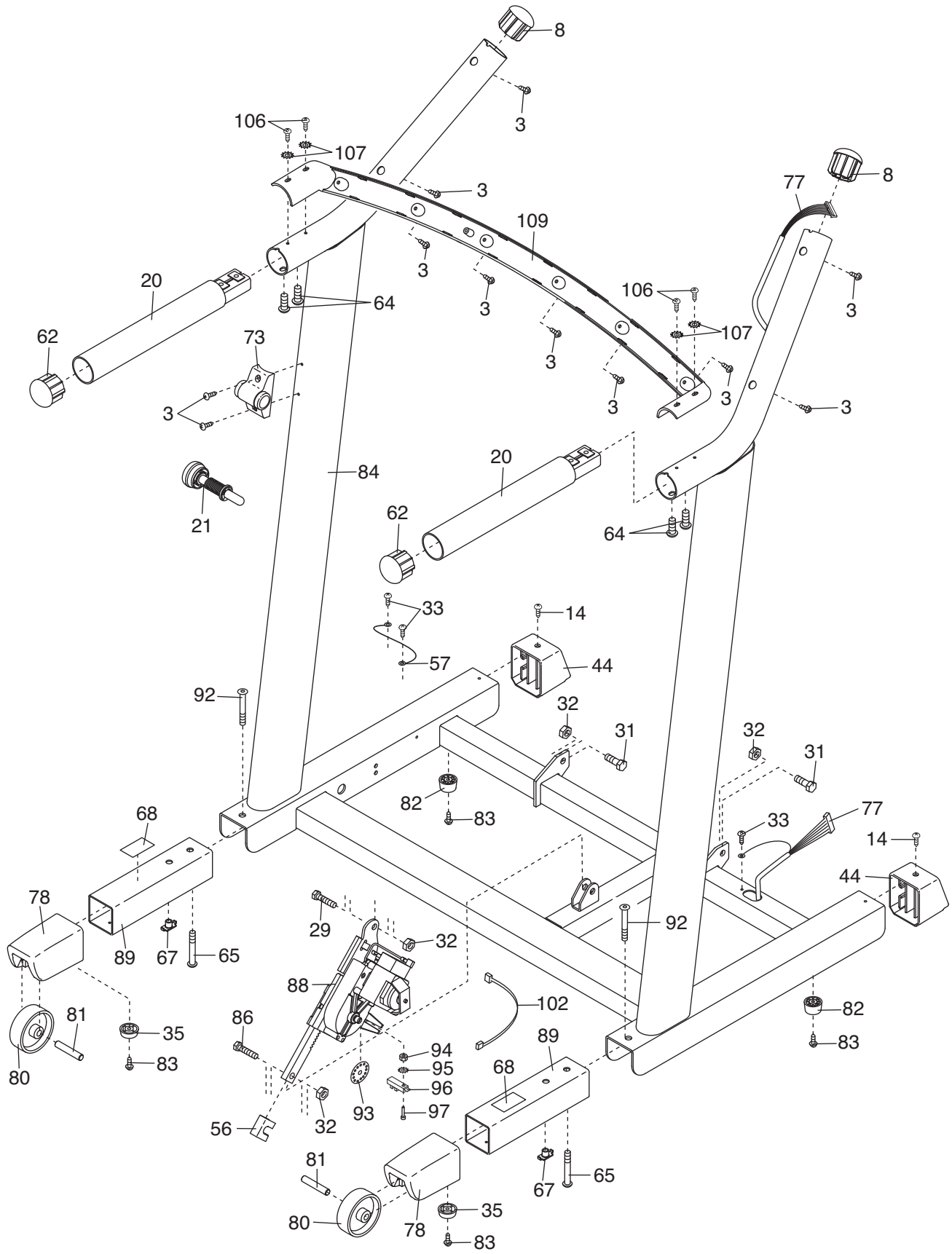
EXPLODED DRAWING A—Model No. PFTL59906.4

R1108A



EXPLODED DRAWING C—Model No. PFTL59906.4

R1108A



EXPLODED DRAWING D—Model No. PFTL59906.4

R1108A

