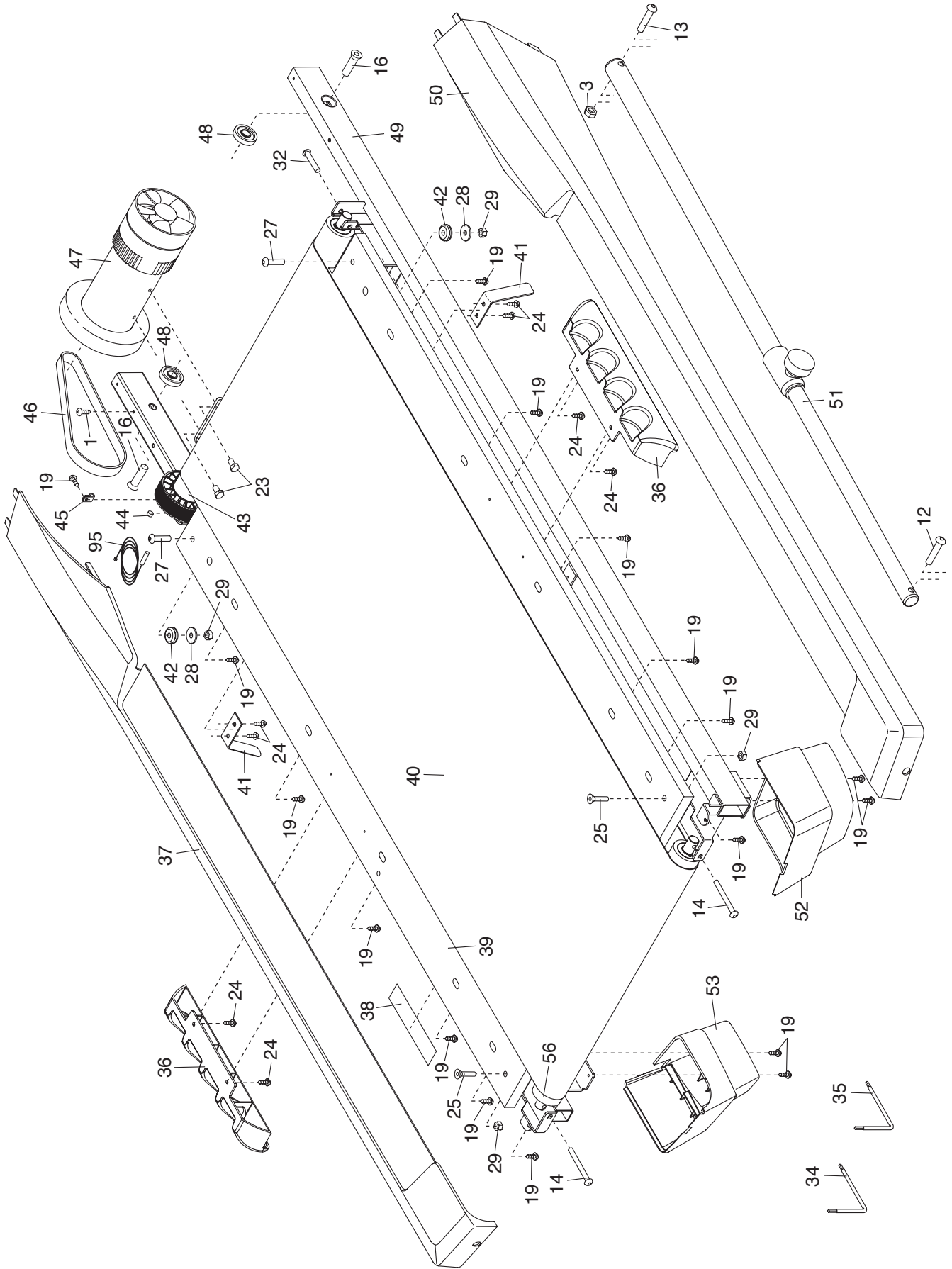


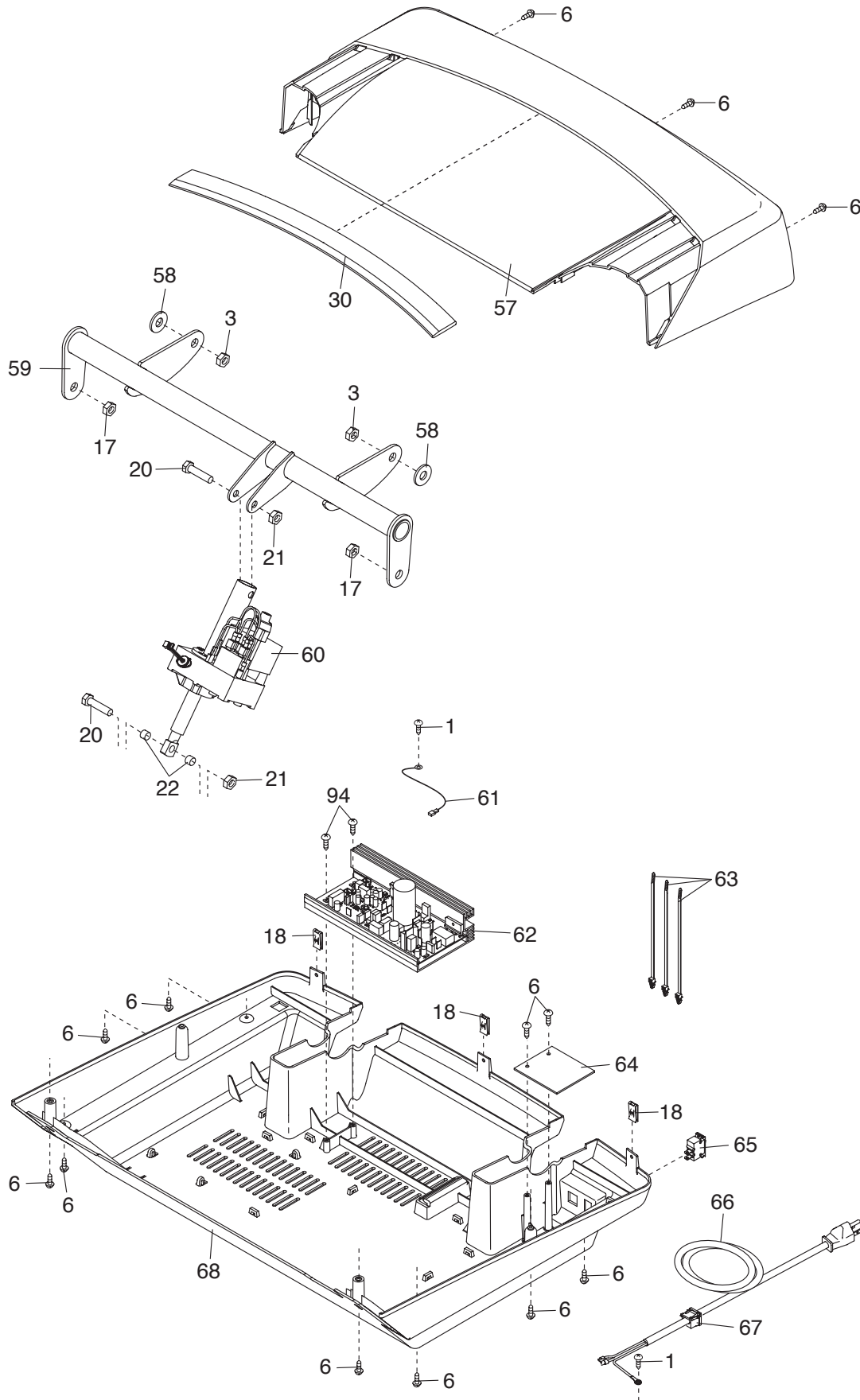
EXPLODED DRAWING A

Model No. PFTL60911.0 R1111B



EXPLODED DRAWING B

Model No. PFTL60911.0 R1111B



EXPLODED DRAWING D

Model No. PFTL60911.0 R1111B

