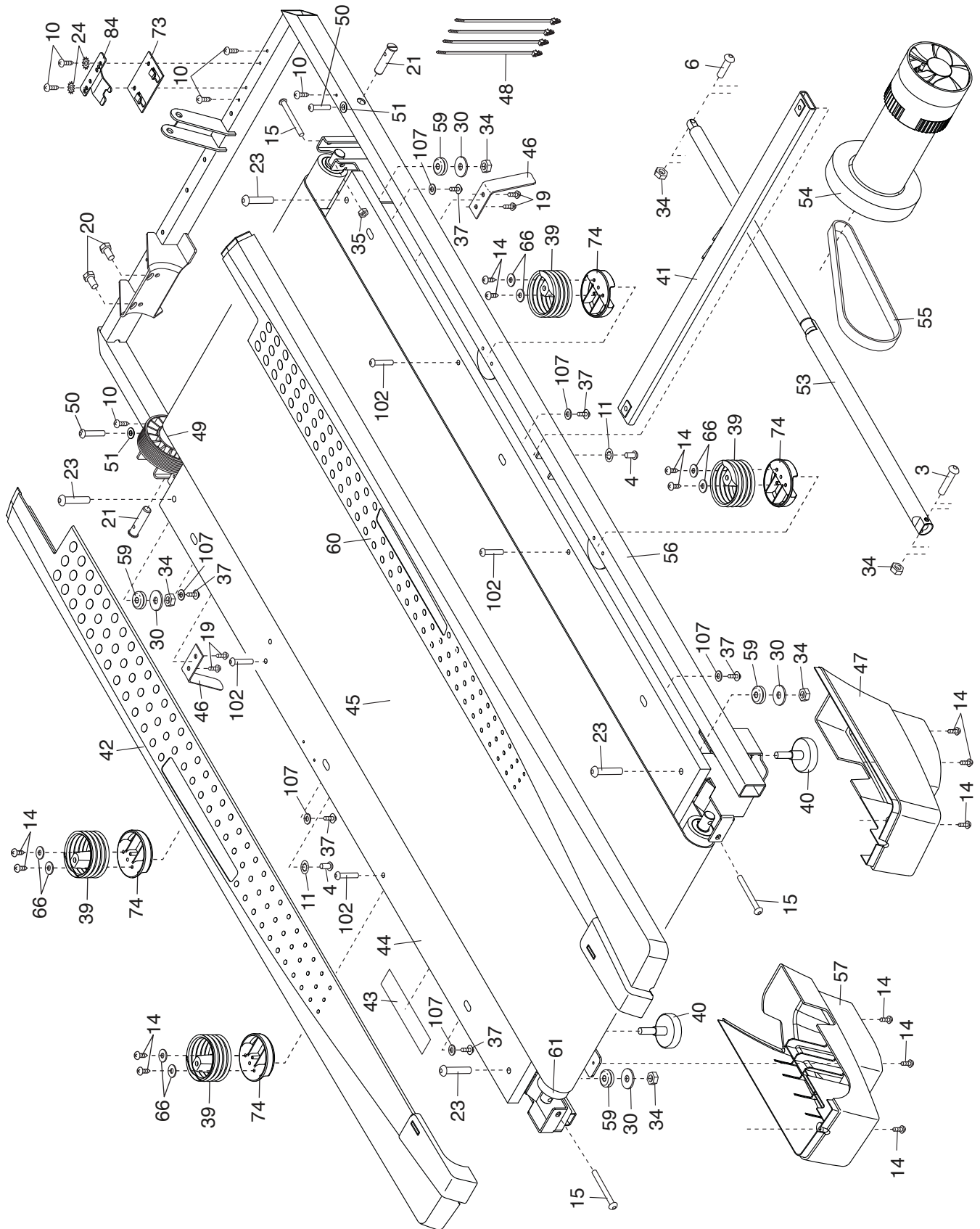


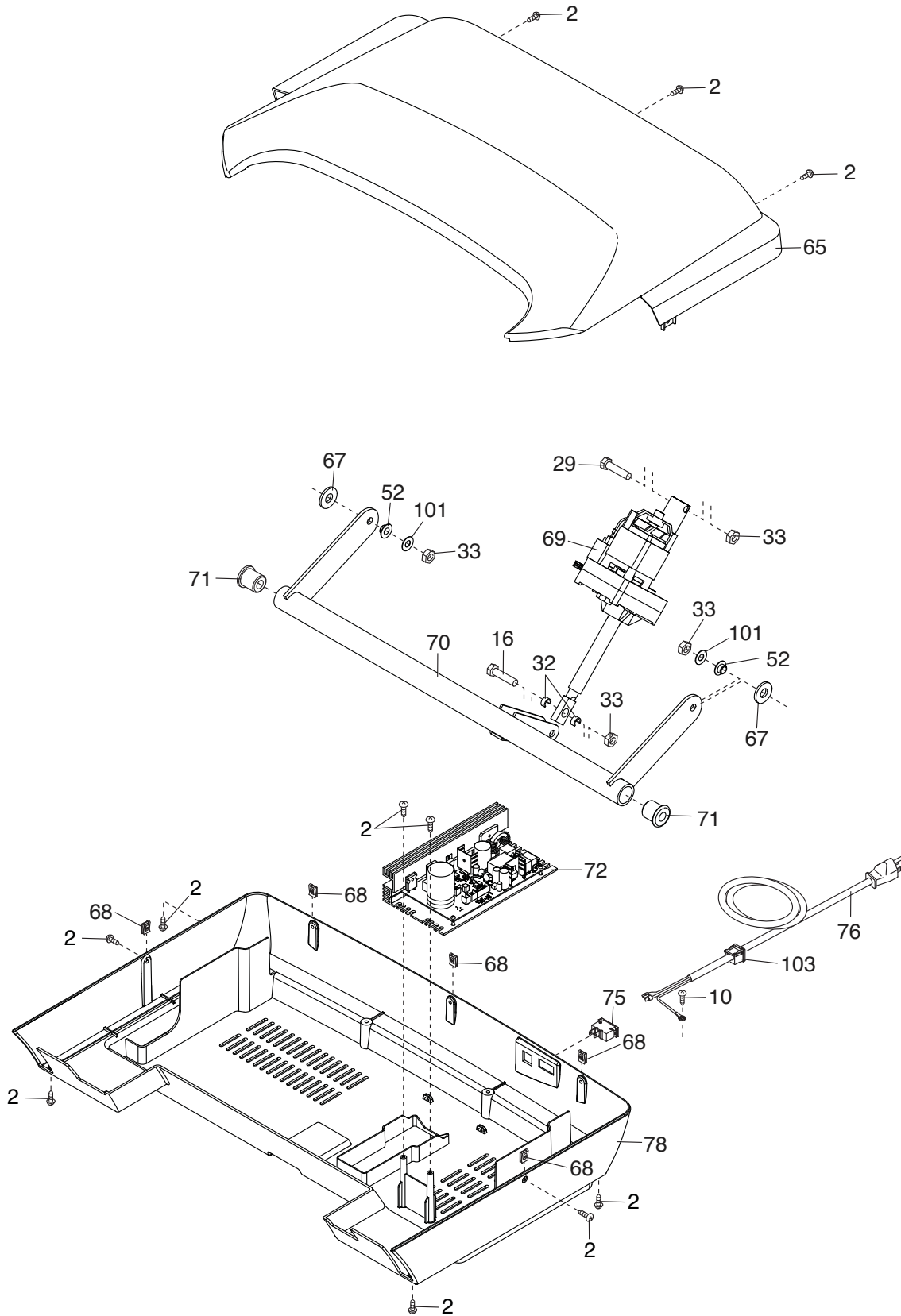
# EXPLODED DRAWING A

Model No. PFTL60917.0 R1117B



# EXPLODED DRAWING B

Model No. PFTL60917.0 R1117B



# EXPLODED DRAWING C

Model No. PFTL60917.0 R1117B

