

# PART LIST

Model No. PFTL69619.1 R0919A

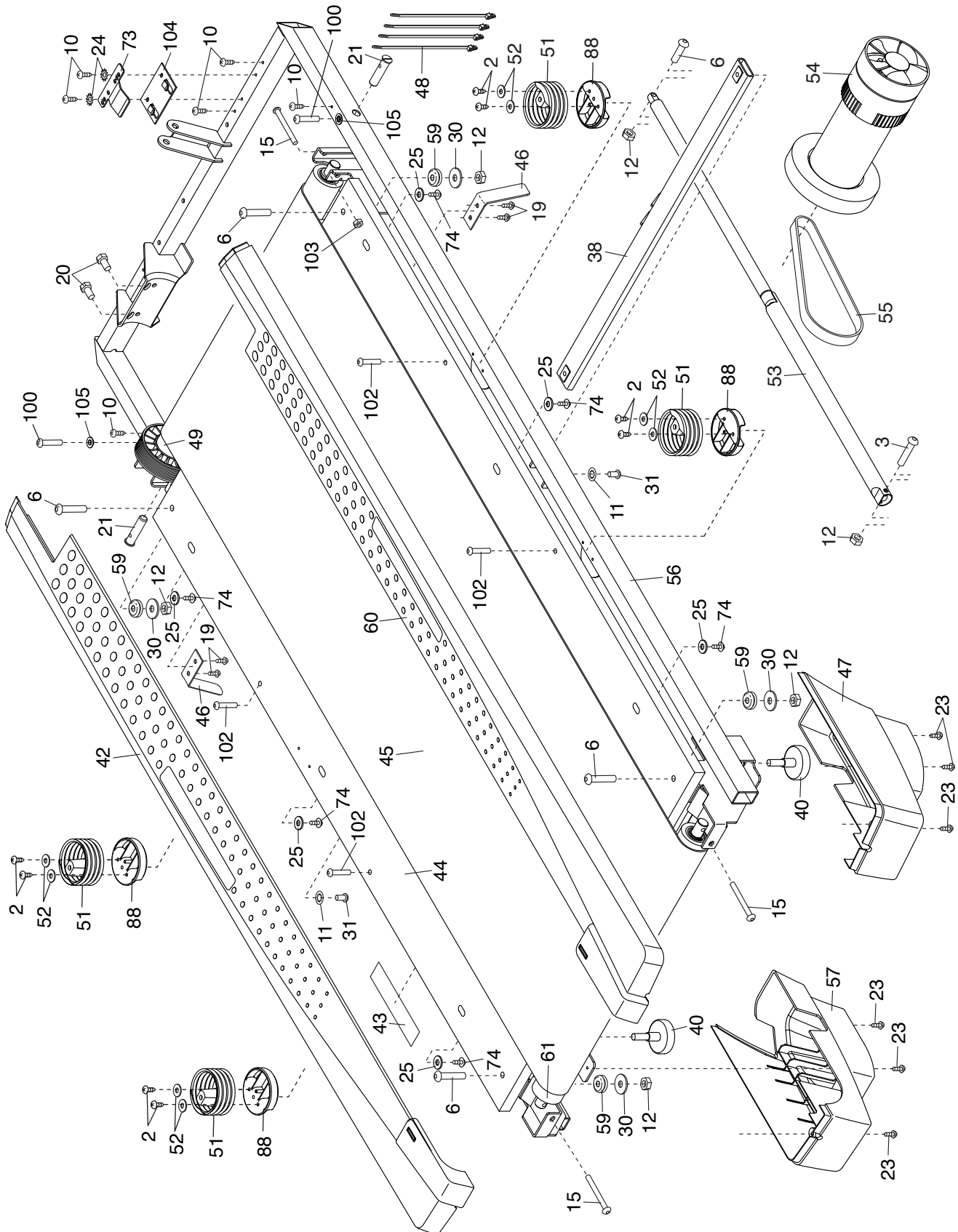
Key No.	Qty.	Description	Key No.	Qty.	Description
1	12	#8 x 1/2" Screw	51	4	Platform Cushion
2	39	#8 x 3/4" Screw	52	8	M5 Flat Washer
3	1	5/16" x 2 1/4" Bolt	53	1	Storage Latch
4	4	1/4" x 1/2" Screw	54	1	Drive Motor
5	4	#10 Star Washer	55	1	Motor Belt
6	5	5/16" x 1 3/4" Bolt	56	1	Frame
7	4	3/8" x 2 3/8" Screw	57	1	Left Rear Foot
8	1	Power Cord Grommet	58	1	Upright Crossbar
9	4	#10 x 3/4" Screw	59	4	Rubber Cushion
10	7	#8 x 1/2" Washer Head Screw	60	1	Right Foot Rail
11	9	5/16" Star Washer	61	1	Idler Roller
12	6	5/16" Nut	62	2	3/8" x 1 3/4" Screw
13	8	3/8" Star Washer	63	2	3/8" x 1 1/4" Screw
14	4	#8 x 1" Tek Screw	64	1	Console Base
15	3	1/4" x 2 1/2" Screw	65	1	Motor Hood
16	1	3/8" x 1 1/2" Bolt	66	4	3/8" Plastic Bushing
17	2	3/8" x 1 1/2" Wheel Bolt	67	2	Incline Frame Spacer
18	1	Console Frame	68	5	Hood Clip
19	4	#8 x 7/16" Screw	69	1	Incline Motor
20	2	5/16" Motor Screw	70	1	Incline Frame
21	2	3/8" Pin	71	2	Frame Spacer
22	2	3/8" x 1 1/8" Bolt	72	1	Controller
23	16	#8 x 3/4" Truss Head Screw	73	1	Controller Plate
24	2	#8 Star Washer	74	6	#8 x 5/8" Screw
25	6	1/4" Washer	75	1	Power Switch
26	4	M4 x 16mm Machine Screw	76	1	Power Cord
27	4	1/4" Star Washer	77	2	Grommet
28	4	5/16" x 2 1/2" Screw	78	1	Belly Pan
29	1	3/8" x 1 3/4" Hex Head Bolt	79	1	Left Handrail Cover
30	4	5/16" Flat Washer	80	1	Console
31	6	5/16" x 3/4" Screw	81	1	Upright Wire
32	2	Incline Motor Spacer	82	1	Left Base Cover
33	6	3/8" Jam Nut	83	1	Right Base Cover
34	1	Right Tray	84	1	Right Bottom Handrail Cover
35	2	3/8" Washer	85	1	Left Bottom Handrail Cover
36	1	Left Tray	86	1	Left Handrail
37	2	#8 x 1/2" Ground Screw	87	1	Right Handrail
38	1	Latch Crossbar	88	4	Cushion Bottom
39	1	Console Ground Wire	89	1	Left Upright
40	2	Rear Foot	90	1	Right Upright
41	1	Tablet Holder	91	2	Caution Decal
42	1	Left Foot Rail	92	1	Right Handrail Cover
43	1	Warning Decal	93	1	Pulse Crossbar
44	1	Walking Platform	94	1	Base
45	1	Walking Belt	95	1	Pulse Crossbar Bottom
46	2	Belt Guide	96	1	Right Inner Base Cover
47	1	Right Rear Foot	97	4	Wheel
48	4	Cable Tie	98	1	Key/Clip
49	1	Drive Roller/Pulley	99	2	Cable Tie
50	1	Left Inner Base Cover	100	2	1/4" x 1 1/4" Patch Screw

Key No.	Qty.	Description	Key No.	Qty.	Description
101	2	Base Pad	104	1	Electronics Bracket
102	4	1/4" x 1 1/4" Screw	105	2	9/32" Plastic Bushing
103	1	1/4" Nut	*	–	User's Manual

Note: Specifications are subject to change without notice. For information about ordering replacement parts, see the back cover of this manual. \*These parts are not illustrated.

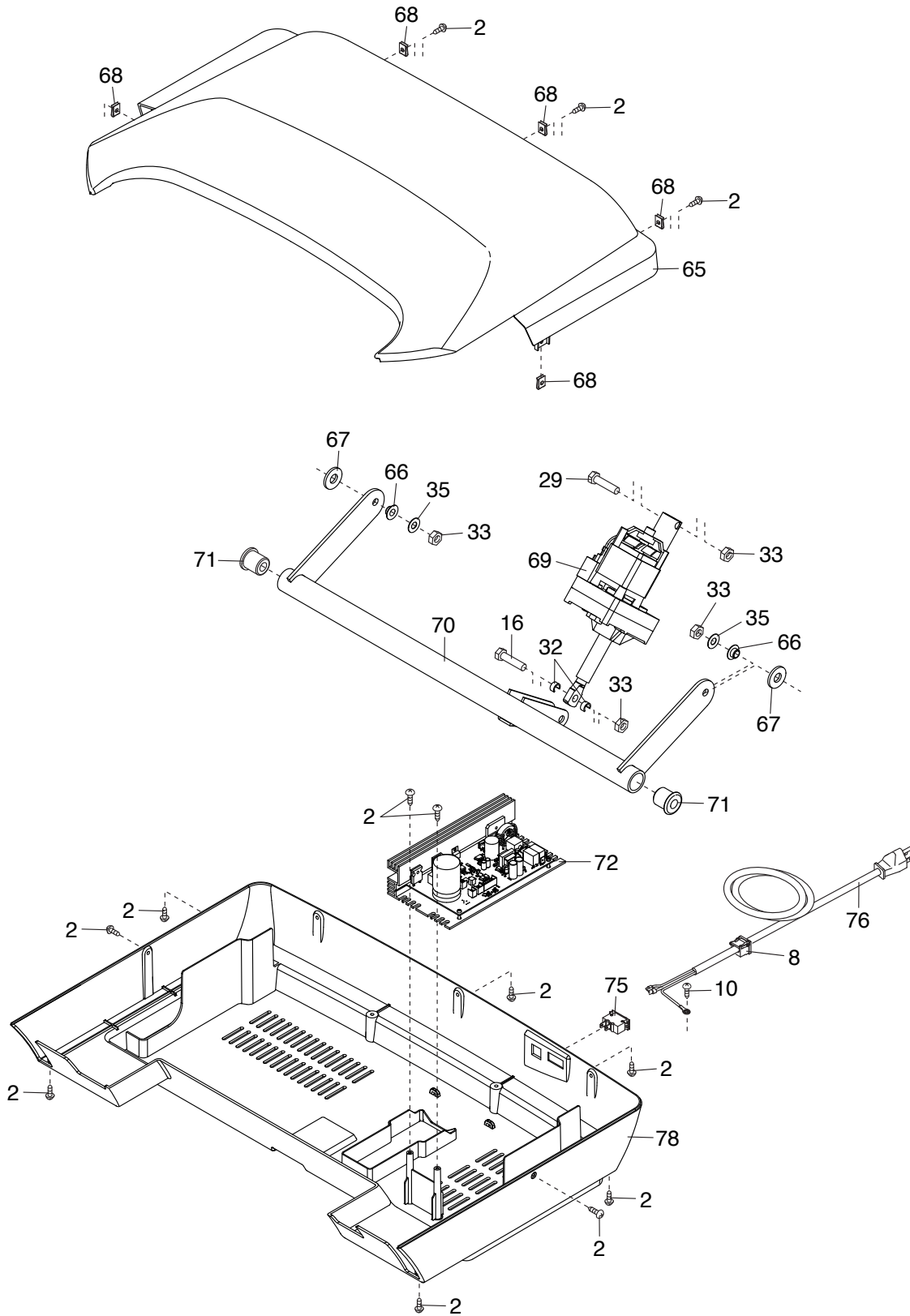
# EXPLODED DRAWING A

Model No. PFTL69619.1 R0919A



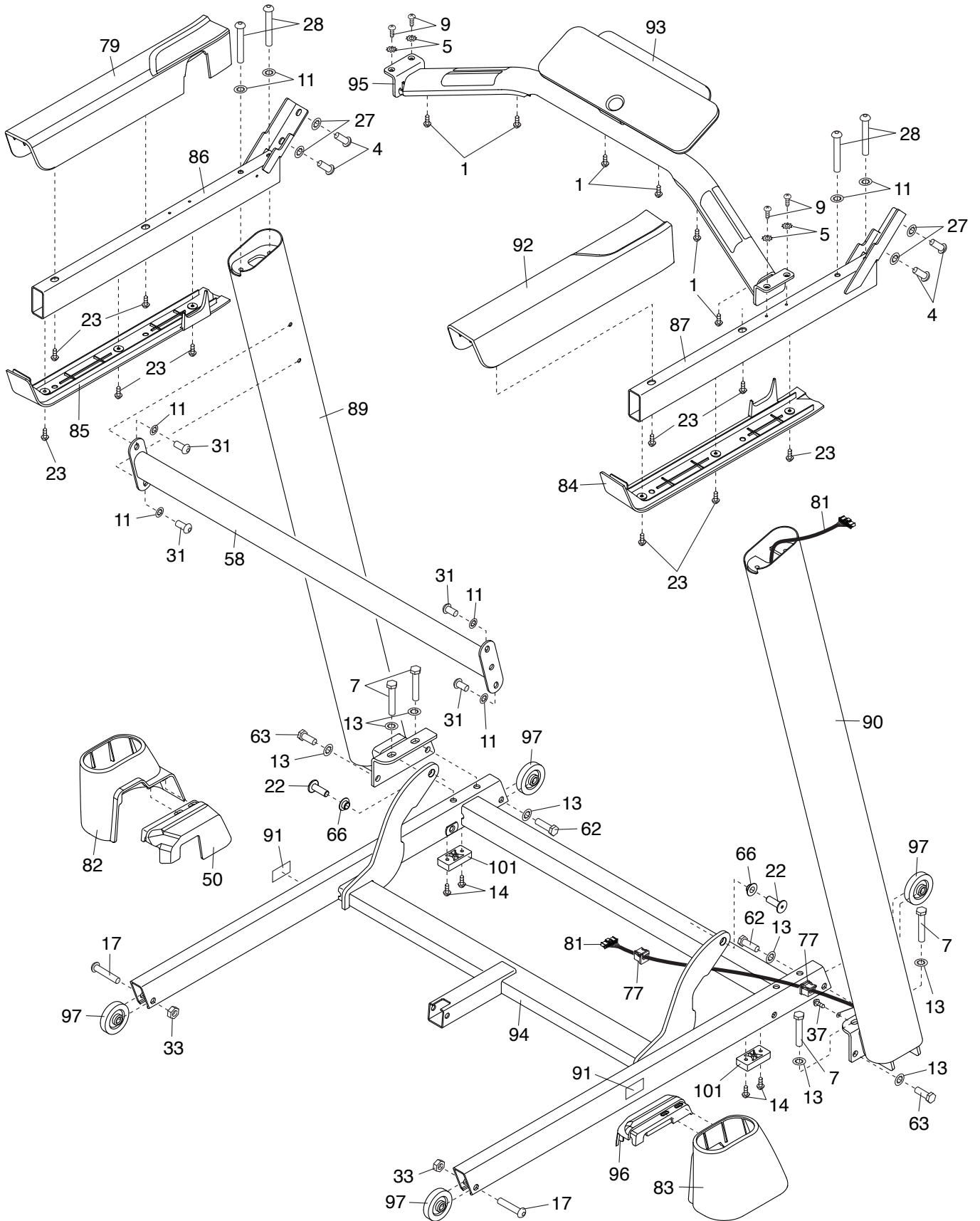
# EXPLODED DRAWING B

Model No. PFTL69619.1 R0919A



# EXPLODED DRAWING C

Model No. PFTL69619.1 R0919A



# EXPLODED DRAWING D

Model No. PFTL69619.1 R0919A

