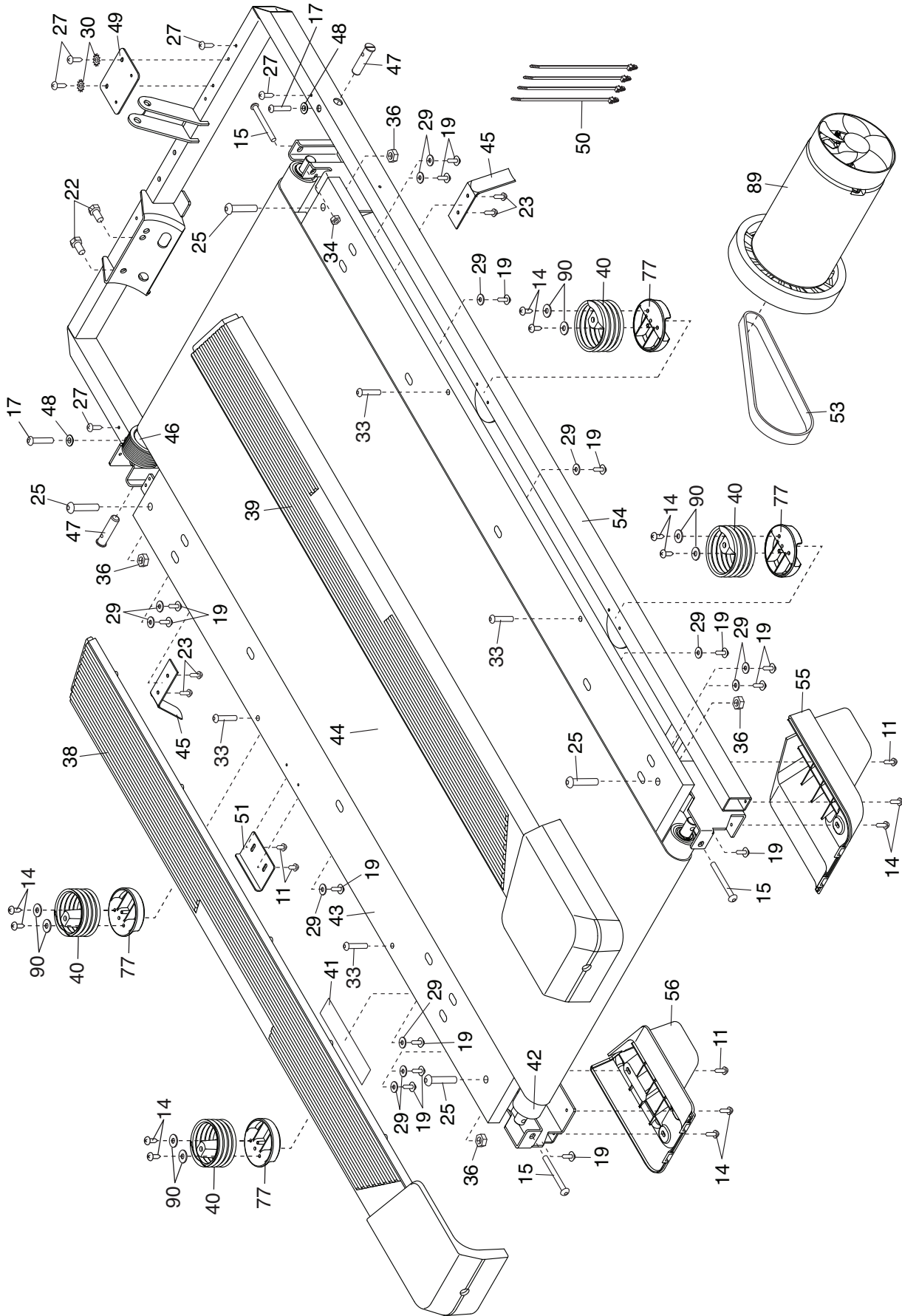


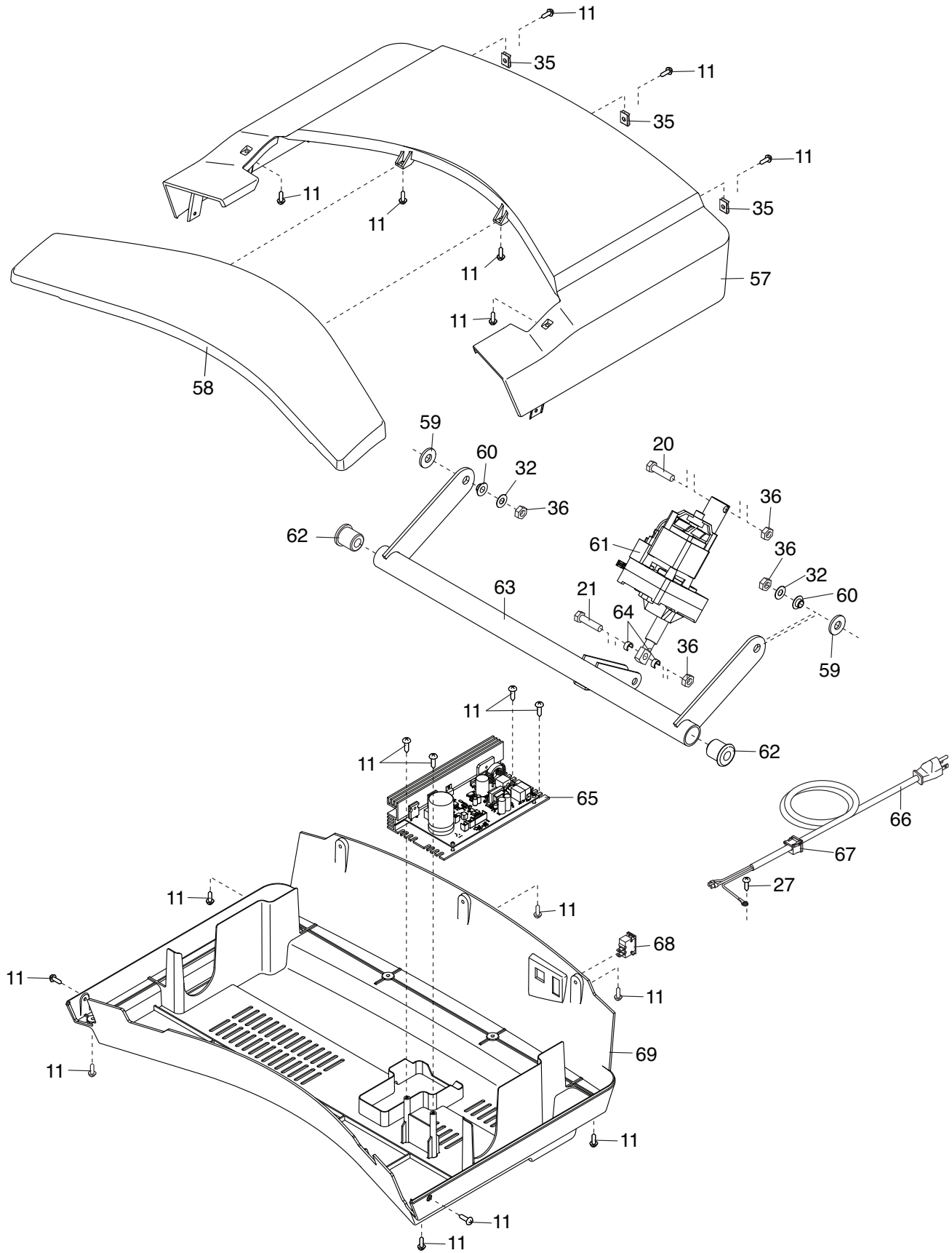
# EXPLODED DRAWING A

Model No. PFTL69921.2 R0521B



# EXPLODED DRAWING B

Model No. PFTL69921.2 R0521B





# EXPLODED DRAWING D

Model No. PFTL69921.2 R0521B

