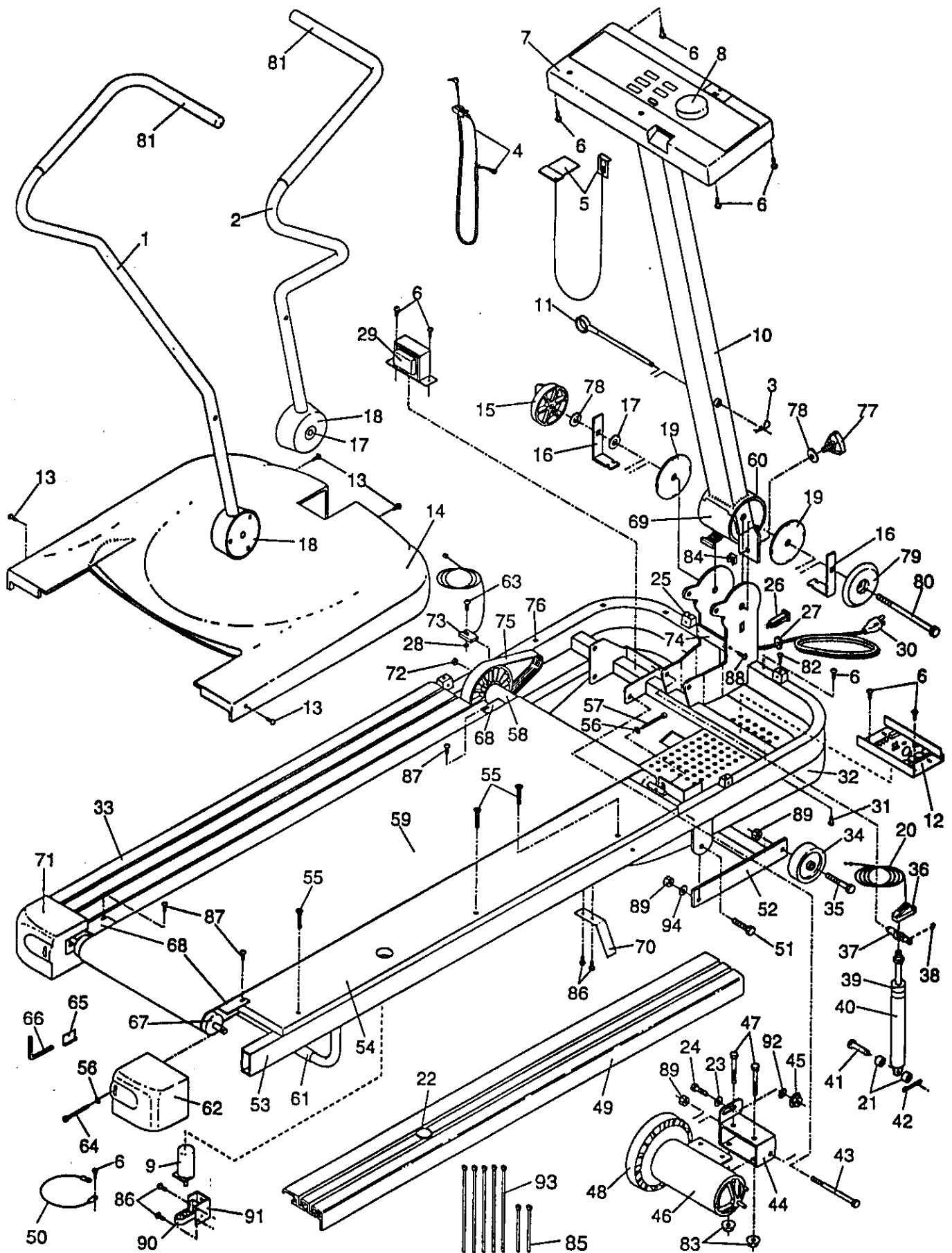


# EXPLODED DRAWING—Model No. PFTL70550

Rev. 4/95



MODEL NUMBER: PFTL7055  
 VERSION: 00  
 PRODUCT NAME: PROFORM CROSSWALK  
 PRODUCT DESC: TREADMILL

MODEL/PART BOOK LISTING

PAGE 1  
 INI023P1  
 RUN DATE: 6/19/96  
 RUN TIME: 18:25:22

KEY NUMBER	PART NUMBER	DESCRIPTION	QUANTITY
.	.	PROFORM CROSSWALK	0
1	110824	LT UPPER BODY ARM HOUSING	1
2	110825	RT UPPER BODY ARM HOUSING	1
3	015044	HAIRPIN COTTER	1
4	119946	PULSE EARCLIP/CLOTHES CLP	1
5	106337	SAFETY KEY/CLIP	1
6	108080	SCREW	10
7	125831	CONSOLE ASSEMBLY	1
.	.	108590 CONSOLE	1
.	.	040185 CONSOLE PLUG	1
.	.	110255 REPLACEMENT INSTR.	1
8	110000	SPEED CONTROL KNOB	1
9	116434	FOOT INCLINE KNOB	1
10	112717	UPRIGHT ASSEMBLY	1
.	.	112969 UPRIGHT	1
.	.	112958 LONG UPRIGHT COVER	1
.	.	112965 SHORT UPRT COVER	1
11	121544	LOCK PIN	1
12	129854	CONTROLLER W/RI	1
13	108404	HOOD SCREW	4
14	116808	MOTOR HOOD W/DECAL	1
.	.	110083 MOTOR HOOD	1
.	.	110081 MOTOR HOOD DECAL	1
15	109511	RESISTANCE CONTROL	1
16	110193	FRICTION BRACKET	2
17	014087	FLAT WASHER	2
18	110823	UPPR BDY ARM HOUSING ASSY	2
.	.	112300 FRICTION CUP	1
.	.	112348 FRICTION PAD	1
.	.	112013 PLUG	1
19	112286	FRICTION PLATE	2
20	124301	INCLINE CABLE	1
21	126155	SHOCK SPACER	2
22	113227	INCLINE KNOB SLEEVE	1
23	122812	TENSION WASHER	1
24	013547	TENSION BOLT	1
25	113106	HOOD BRACKET	5
26	109382	CIRCUIT BREAKER	1
27	019084	GROMMET	1
28	014157	REED SWITCH WASHER	1
29	031238	CHOKL	1
30	031229	POWER CORD	1
31	013282	SAFETY COVER SCREW	8
32	123712	SAFETY COVER PAN	1
33	124879	LEFT FOOT RAIL ASSY	1
.	.	124371 FOOT RAIL	1
.	.	127860 NAIL	6
.	.	107103 REPLACEMENT INSTR.	1
34	052014	FRONT WHEEL	2
35	117806	WHEEL BOLT	2
36	118202	SHOCK RELEASE	1
37	115672	SHOCK BRACKET	1
38	054016	E-CLIP	1
39	059019	SHOCK CUSHION	1

MODEL NUMBER: PFTL7055  
VERSION: 00  
PRODUCT NAME: PROFORM CROSSWALK  
PRODUCT DESC: TREADMILL

MODEL/PART BOOK LISTING

PAGE 2  
INI023P1  
RUN DATE: 6/19/96  
RUN TIME: 18:25:22

KEY NUMBER	PART NUMBER	DESCRIPTION	QUANTITY
40	111436	INCLINE SHOCK ASSY	1
.	.	112582 SHOCK	1
.	.	111435 REPLACEMENT INSTR.	1
41	106616	SHOCK PIN	1
42	106334	COTTER PIN	1
43	107503	MOTOR PIVOT BOLT	1
44	122632	MOTOR MOUNT BRACKET ASSY	1
.	.	121588 MOTOR MTG BRACKET	1
.	.	122471 REPLACEMENT INSTR.	1
45	120867	MOTOR TENSION NUT	1
46	124100	MOTOR W/RI	1
.	.	124183 MOTOR	1
.	.	122471 REPLACEMENT INSTR.	1
46A	124151	MOTOR/PULLEY/FLYWHEEL/FAN	1
.	.	124183 MOTOR	1
.	.	112825 FLYWHEEL/FAN/PULLY	1
.	.	122471 REPLACEMENT INSTR.	1
47	123385	MOTOR BOLT	2
48	112825	PULLEY/FLYWHEEL/FAN	1
49	124880	RIGHT FOOT RAIL ASSY	1
.	.	124305 FOOT RAIL	1
.	.	127860 NAIL	6
.	.	107103 REPLACEMENT INSTR.	1
50	114261	MOTOR GROUND WIRE	1
51	013303	INCLINE LEG BOLT	2
52	121110	INCLINE LEG	1
53	NSP	FRAME	1
54	124881	WALKING PLATFORM W/RI	1
.	.	124300 WALKING PLATFORM	1
.	.	110583 REPLACEMENT INSTR.	1
55	100691	PLATFORM SCREW	6
56	014127	ROLLER ADJUST WASHER	3
57	112609	FRONT ROLLER ADJUST BOLT	1
58	126110	FRONT ROLLER/PULLEY	1
59	124882	WALKING BELT W/FASTENERS	1
.	.	124299 WALKING BELT	1
.	.	110585 REPLACEMENT INSTR.	1
.	.	127860 FASTENER	6
60	112958	UPRIGHT COVER, LONG	1
61	110407	REAR LEG PAD	1
62	112293	RIGHT ENDCAP	1
63	013300	REED SWITCH SCREW	1
64	105444	REAR ROLLER ADJUST BOLT	2
65	016028	WRENCH CLIP	1
66	045010	ALLEN WRENCH	1
67	110245	REAR ROLLER W/RI	1
.	.	070084 REAR ROLLER	1
.	.	103847 REPLACEMENT INSTR.	1
68	010206	ROLLER GUARD	3
69	112965	UPRIGHT COVER, SHORT	1
70	118206	BELT GUIDE	2
71	112292	LEFT ENDCAP	1
72	100498	MAGNET	1
73	115569	REED SWITCH/SENSOR WIRE	1

MODEL NUMBER: PFTL7055  
VERSION: 00  
PRODUCT NAME: PROFORM CROSSWALK  
PRODUCT DESC: TREADMILL

MODEL/PART BOOK LISTING

PAGE 3  
INI023P1

RUN DATE: 6/19/96  
RUN TIME: 18:25:22

KEY NUMBER	PART NUMBER	DESCRIPTION	QUANTITY
74	121488	MECHANISM COVER	1
75	118016	BELT	1
76	016055	WIRE CLIP	2
77	017088	LOCK KNOB	1
78	014156	LOCK KNOB/CONTROL WASHER	2
79	109517	FRICTION COVER	1
80	109515	PIVOT BOLT	1
81	112023	UPPER BDY ARM FOAM GRIP	2
82	101049	HOOD BRACKET SCREW	5
83	105477	MOTOR NUT	2
84	111430	CAGE NUT	1
85	016029	4" CABLE TIE	4
86	120630	BELT GUIDE/BRACKET SCREW	17
87	123325	ROLLER GUARD SCREW	3
88	109250	COVER SCREW	2
89	012056	WHEEL NUT	5
90	116435	INCLINE LEVER	1
91	124302	INCLINE KNOB BRACKET	1
92	014117	MOTOR TENSION STAR WASHER	1
93	016057	8" CABLE TIE	5
94	124009	LIFT FRAME PIVOT WASHER	2
.	.	NON-ILLUSTRATED PARTS	0
#	110402	BATTERY COVER	1
#	127860	FASTENLR	12
#	129418	POTENTIOMETER	1
#	014066	INCLINE CABLE WASHER	1
#	114261	8" GROUND WIRE	1
#	114011	4" BLACK WIRE,MALE/FEMALE	1
#	110196	FRAME DECAL	1
#	124381	WIRE DIAGRAM DECAL	1
#	124303	OWNER'S MANUAL	1
#	124304	LITERATURE PACKET	1
.	.	124303 OWNER'S MANUAL	1
.	.	119946 PULSE CLIP	1
.	.	017088 LOCK KNOB	1
.	.	112817 HARDWARE KIT	1
.	.	016023 CLAMP	1
.	.	045010 3/16"ALLEN WRENCH	1
.	.	014156 3/8" FLAT WASHER	1