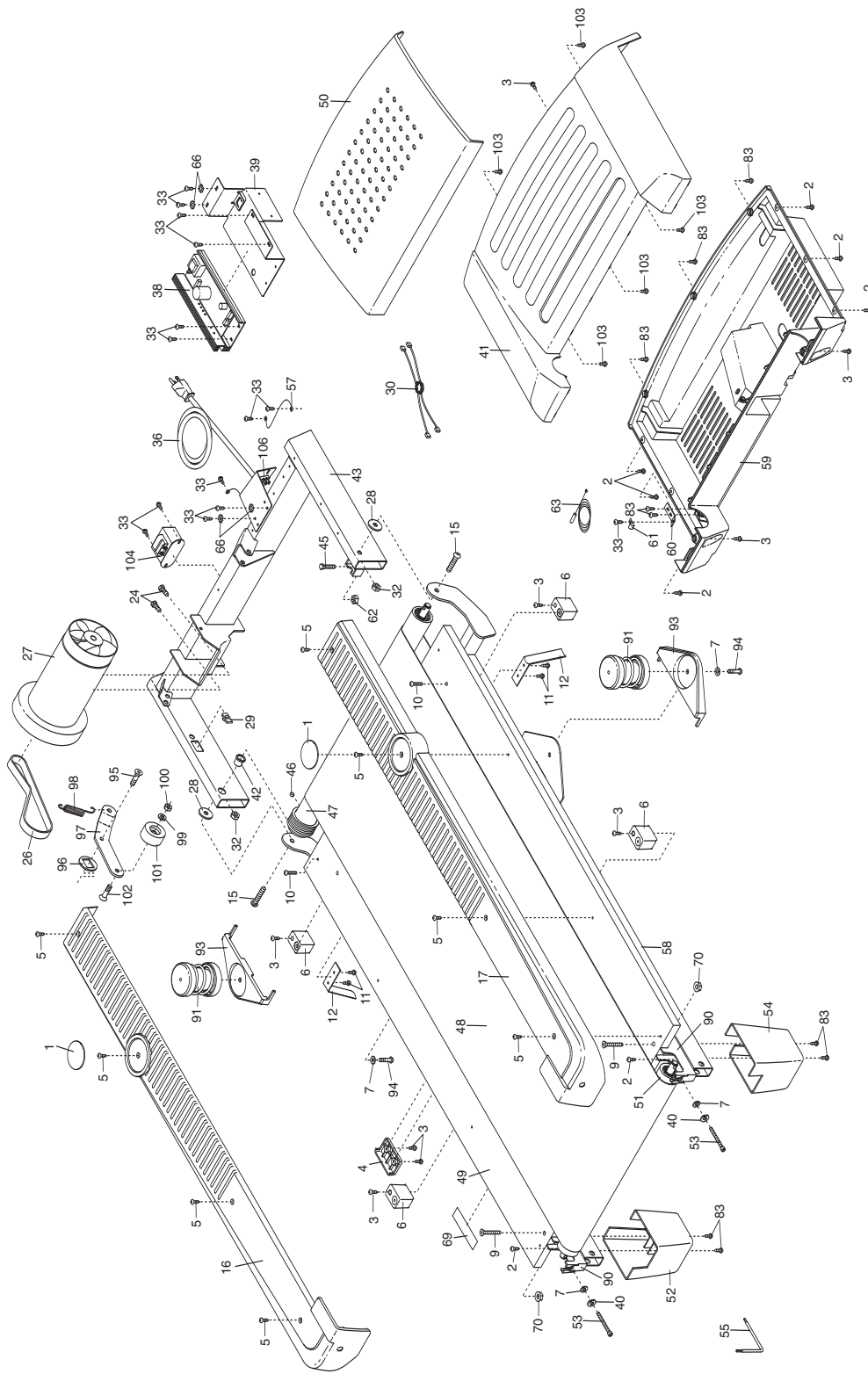


# EXPLODED DRAWING—Model No. PFTL73105.5

R0107A



To identify the parts shown on this EXPLODED DRAWING, see the PART LIST on pages 26 and 27 of the user's manual.

# EXPLODED DRAWING—Model No. PFTL73105.5

R0107A

