

PART LIST—Model No. PFTL73105.1

R1105A

To locate the parts listed below, see the EXPLODED DRAWING attached in the center of this manual.

Key No.	Qty.	Description	Key No.	Qty.	Description
1	2	Isolator Decal	50	1	Motor Cover
2	10	3/4" Tek Screw	51	1	Rear Roller
3	40	Screw	52	1	Left Rear Endcap
4	1	Catch	53	2	Rear Roller Bolt
5	8	Foot Rail Screw	54	1	Right Rear Endcap
6	2	Front Isolator	55	1	Allen Wrench
7	2	Isolator Washer	56	1	Incline Stop Bracket
8	8	Star Washer	57	1	Ground Wire
9	2	Platform Bolt, Back	58	1	Frame
10	2	Platform Bolt, Front	59	1	Belly Pan
11	4	Belt Guide Screw	60	1	Reed Switch Bracket
12	2	Belt Guide	61	1	Reed Switch Clip
13	1	Left Handrail	62	1	Front Roller Nut
14	1	Right Handrail	63	1	Reed Switch
15	2	Frame Pivot Bolt	64	4	Console Bolt
16	1	Left Foot Rail	65	4	Extension Leg Bolt
17	1	Right Foot Rail	66	4	Star Washer
18	4	Console Frame U-nut	67	4	Extension Leg Nut
19	1	Static Decal	68	2	Caution Decal
20	1	Console Frame Support	69	1	Warning Decal
21	1	Latch Pin Assembly	70	2	Platform Nut
22	4	1" Tek Screw	71	10	Cable Tie
23	1	Console Ground Wire	72	1	Cotter Pin, Bottom
24	2	Motor Bolt	73	1	Latch Housing
25	2	Shock Clip	74	2	Tie Clamp
26	1	Motor Belt	75	3	Releasable Tie
27	1	Drive Motor	76	1	Access Door
28	2	Frame Washer	77	1	Upright Wire Harness
29	1	U-nut	78	1	Console Wire Harness
30	1	Filter Wire	79	1	Key/Clip
31	2	Lift Frame Bolt	80	2	Front Wheel
32	8	Lock Nut	81	2	Wheel Bolt
33	16	1/2" Screw	82	6	Base Pad
34	1	Console	83	10	3/4" Screw
35	2	Fan Screw	84	1	Upright
36	1	Power Cord	85	1	Console Base
37	1	Console Fan	86	1	Cotter Pin, Top
38	1	Controller	87	2	Hair Pin Cotter Pin
39	1	Electronics Bracket	88	1	Incline Motor
40	2	Rear Roller Star Washer	89	2	Extension Leg
41	1	Hood	90	2	Rear Roller Bracket
42	1	Front Roller Bushing	91	2	Isolator
43	1	Lift Frame	92	1	Shock
44	2	Upright Endcap	93	2	Isolator Bracket Cover
45	1	Front Roller Bolt	94	2	Isolator Bolt, Bottom
46	1	Magnet	95	1	Idler Arm Pivot Bolt
47	1	Front Roller	96	1	Idler Arm Spacer
48	1	Walking Belt	97	1	Idler Arm
49	1	Walking Platform	98	1	Idler Arm Spring

Key No.	Qty.	Description
99	1	Idler Arm Washer
100	1	Idler Arm Nut
101	1	Idler Arm Pulley
102	1	Pulley Bolt
103	5	Hood Cover Screw
#	1	6" Blue Wire, 2F

Key No.	Qty.	Description
#	1	4" Red Wire, M/F
#	1	User's Manual

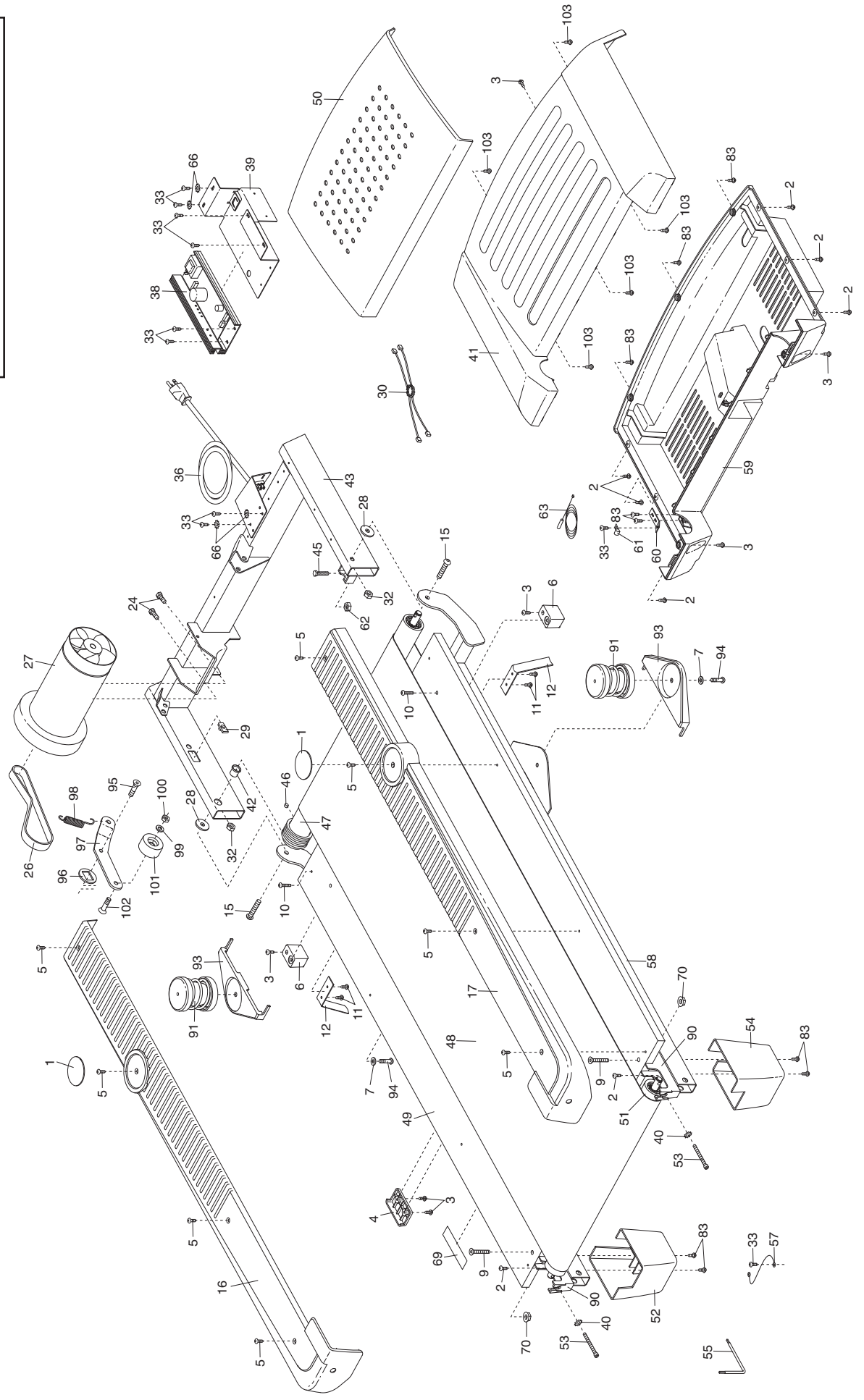
"#" indicates a non-illustrated part.

Specifications are subject to change without notice.

EXPLODED DRAWING—Model No. PFTL73105.1

R1105A

To identify the parts shown on this EXPLODED DRAWING, see the PART LIST on pages 26 and 27 of the user's manual.



EXPLODED DRAWING—Model No. PFTL73105.1

R1105A

