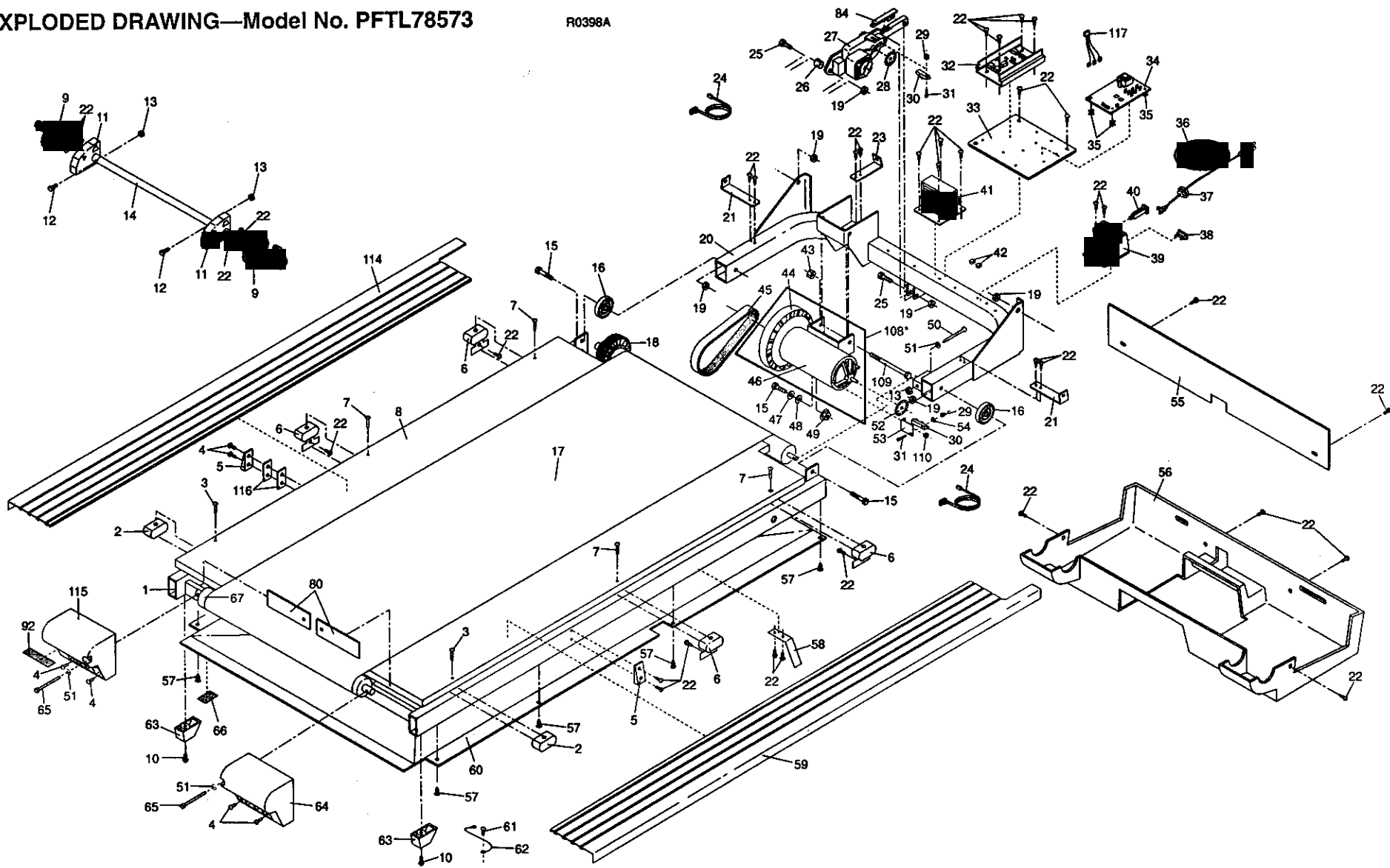


# EXPLODED DRAWING—Model No. PFTL78573

R0398A



EXPLODED DRAWING—Model No. PFTL78573

