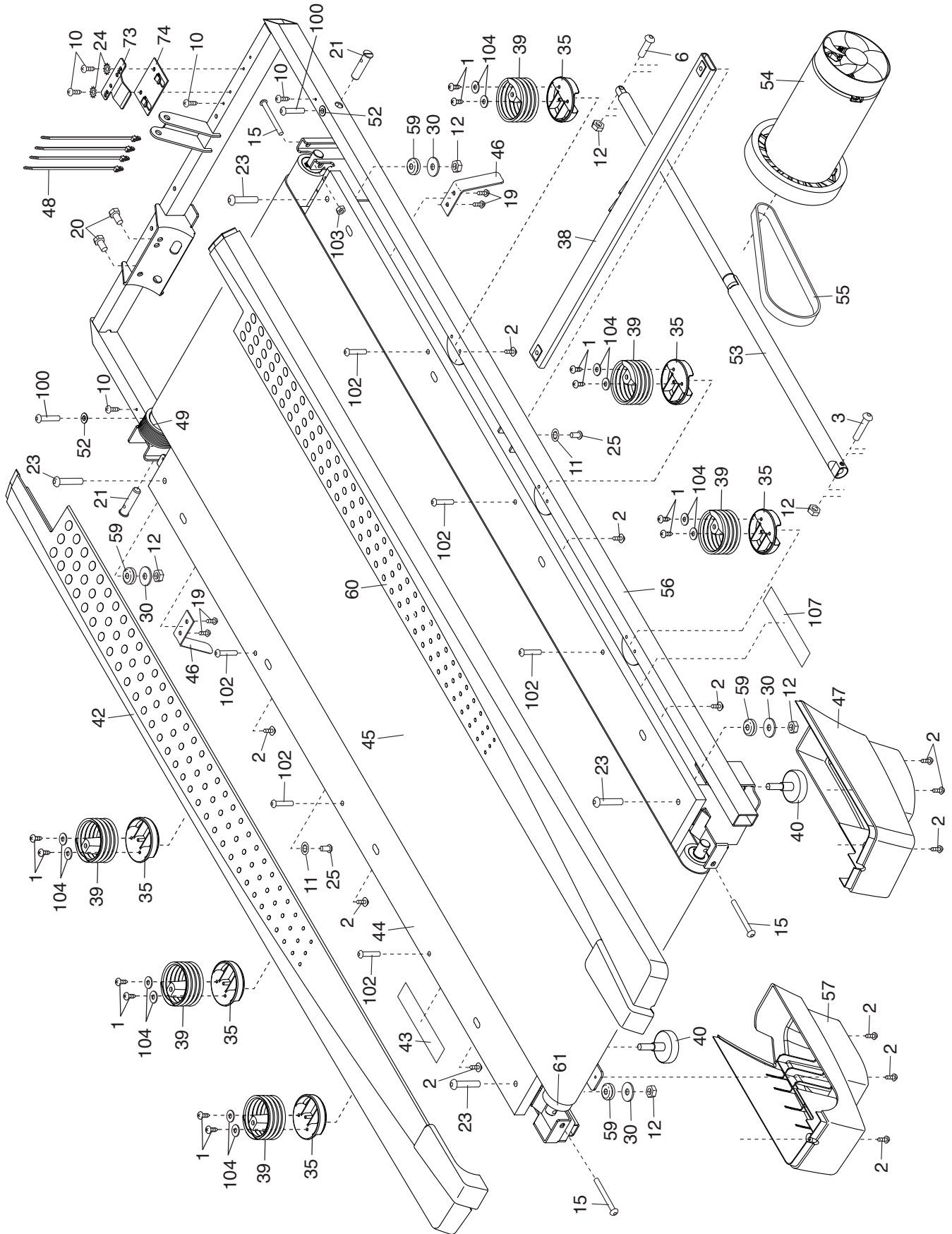


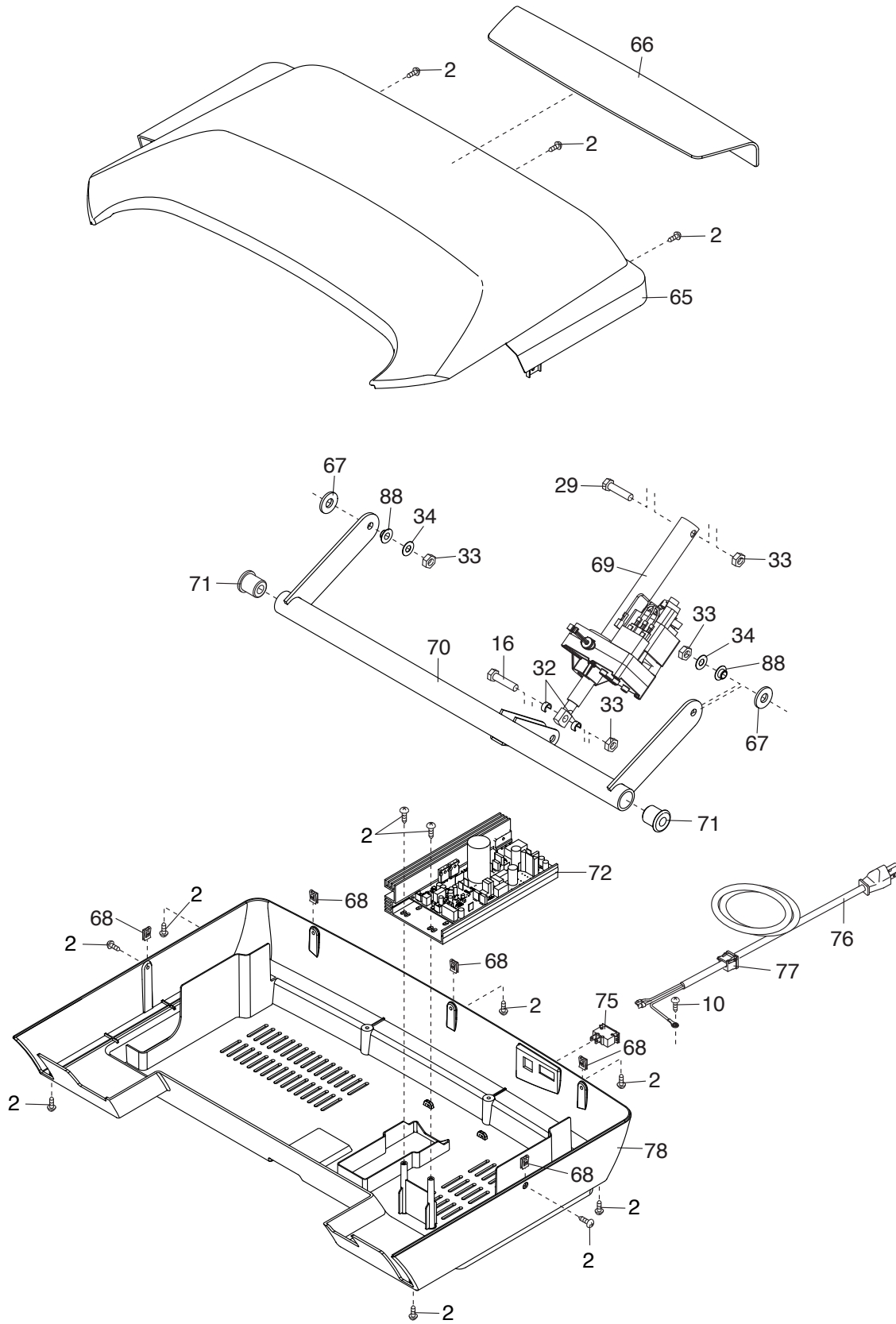
# EXPLODED DRAWING A

Model No. PFTL79515C.0 R1115A



# EXPLODED DRAWING B

Model No. PFTL79515C.0 R1115A



# EXPLODED DRAWING C

Model No. PFTL79515C.0 R1115A

