

PART LIST

Model No. PFTL79518.3 R1119A

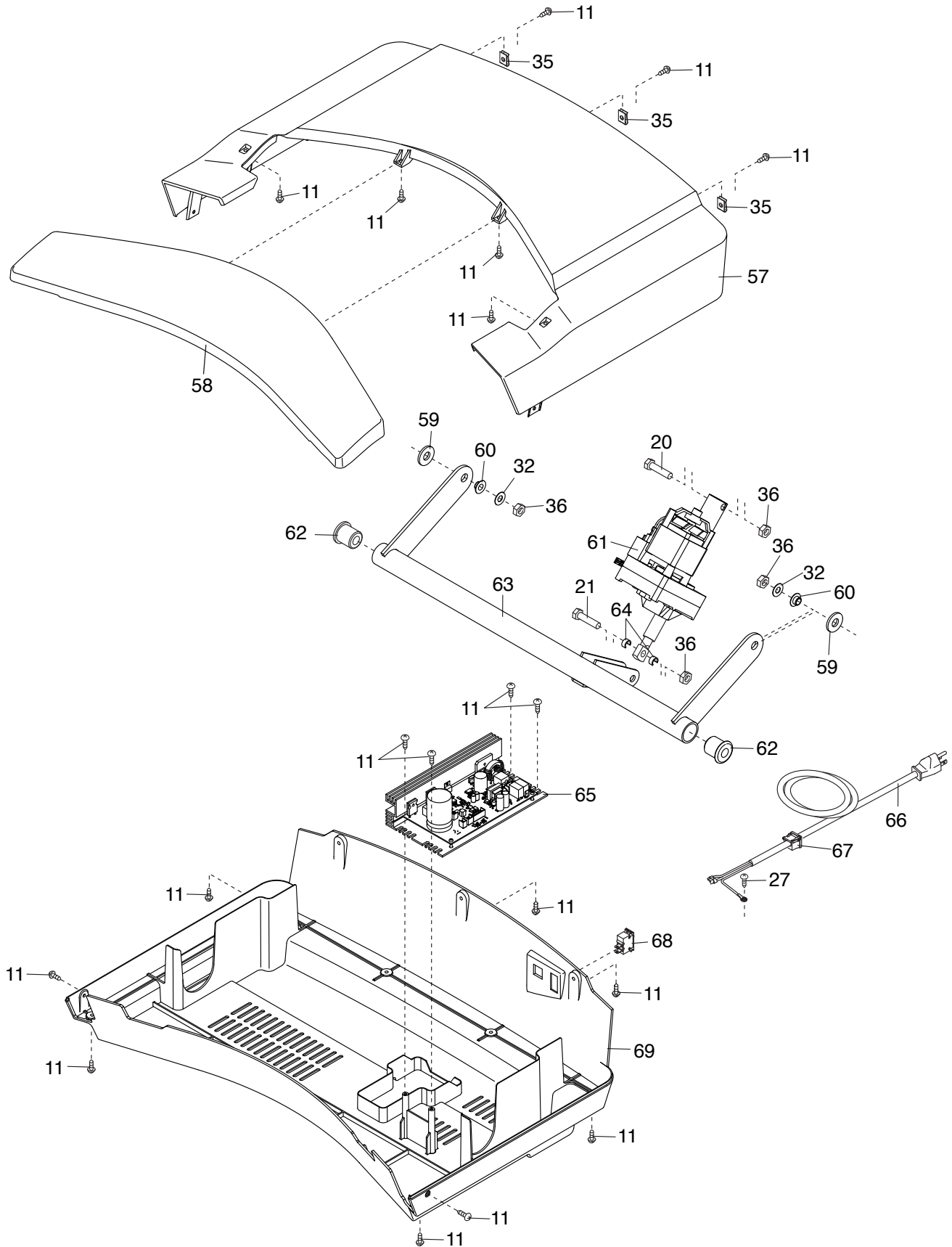
Key No.	Qty.	Description	Key No.	Qty.	Description
1	3	#8 x 1/2" Ground Screw	51	1	Latch Crossbar
2	4	3/8" x 2 3/8" Screw	52	1	Storage Latch
3	2	3/8" x 1 1/2" Screw	53	1	Motor Belt
4	2	3/8" x 1 1/4" Screw	54	1	Frame
5	4	5/16" x 2" Screw	55	1	Right Rear Foot
6	6	3/8" Star Washer	56	1	Left Rear Foot
7	14	5/16" Star Washer	57	1	Motor Hood
8	4	#10 Star Washer	58	1	Hood Accent
9	4	#10 x 3/4" Screw	59	2	Incline Frame Spacer
10	8	#8 x 1/2" Screw	60	4	3/8" Plastic Bushing
11	46	#8 x 3/4" Screw	61	1	Incline Motor
12	4	M4 x 16mm Screw	62	2	Frame Spacer
13	10	5/16" x 3/4" Screw	63	1	Incline Frame
14	2	5/16" Nut	64	2	Incline Motor Spacer
15	3	M6 x 55mm Screw	65	1	Controller
16	2	3/8" x 1 1/8" Screw	66	1	Power Cord
17	2	1/4" x 1 1/4" Screw	67	1	Power Cord Grommet
18	1	Drive Motor Bracket	68	1	Power Switch
19	16	#8 x 5/8" Screw	69	1	Belly Pan
20	1	3/8" x 1 3/4" Bolt	70	1	Left Handrail Cover
21	1	3/8" x 1 1/2" Bolt	71	1	Right Handrail Cover
22	2	1/4" Screw	72	2	Handrail
23	4	#8 x 7/16" Screw	73	1	Left Handrail Bottom
24	1	5/16" x 1 3/4" Bolt	74	1	Right Handrail Bottom
25	4	3/8" x 1 1/2" Bolt	75	1	Pulse Crossbar
26	1	5/16" x 2 1/4" Bolt	76	3	Console Ground Wire
27	6	#8 x 1/2" Washer Head Screw	77	1	Upright Crossbar
28	6	#8 x 1" Screw	78	1	Left Upright
29	14	7/32" Washer	79	1	Right Upright
30	2	#8 Star Washer	80	1	Upright Wire
31	1	Console	81	2	Grommet
32	2	3/8" Thrust Washer	82	4	Base Cap
33	4	1/4" x 1 1/4" Screw	83	2	Front Base Pad
34	1	M6 Nut	84	2	Base Pad
35	3	#8 Clip	85	1	Left Tray
36	10	3/8" Jam Nut	86	1	Right Tray
37	2	3/8" x 2 1/2" Bolt	87	2	Caution Decal
38	1	Left Foot Rail	88	1	Base
39	1	Right Foot Rail	89	1	Drive Motor
40	4	Platform Cushion	90	2	Wheel
41	1	Warning Decal	91	1	Tablet Holder
42	1	Rear Roller	92	8	M5 Washer
43	1	Walking Platform	93	4	Cushion Bottom
44	1	Walking Belt	94	1	Left Base Cover
45	2	Belt Guide	95	1	Right Base Cover
46	1	Front Roller/Pulley	96	1	Console Frame
47	2	3/8" Pin	97	1	Console Base
48	2	9/32" Plastic Bushing	98	2	Wire Tie
49	1	Controller Plate	99	1	Key/Clip
50	4	Plastic Tie	100	20	#8 x 3/4" Truss Head Screw

Key No.	Qty.	Description	Key No.	Qty.	Description
101	1	M8 Nut	104	2	M8.4 Star Washer
102	1	M8 x 102mm Bolt	105	2	M8 Flange Nut
103	2	M8 x 20mm Bolt	*	–	User's Manual

Note: Specifications are subject to change without notice. For information about ordering replacement parts, see the back cover of this manual. *These parts are not illustrated.

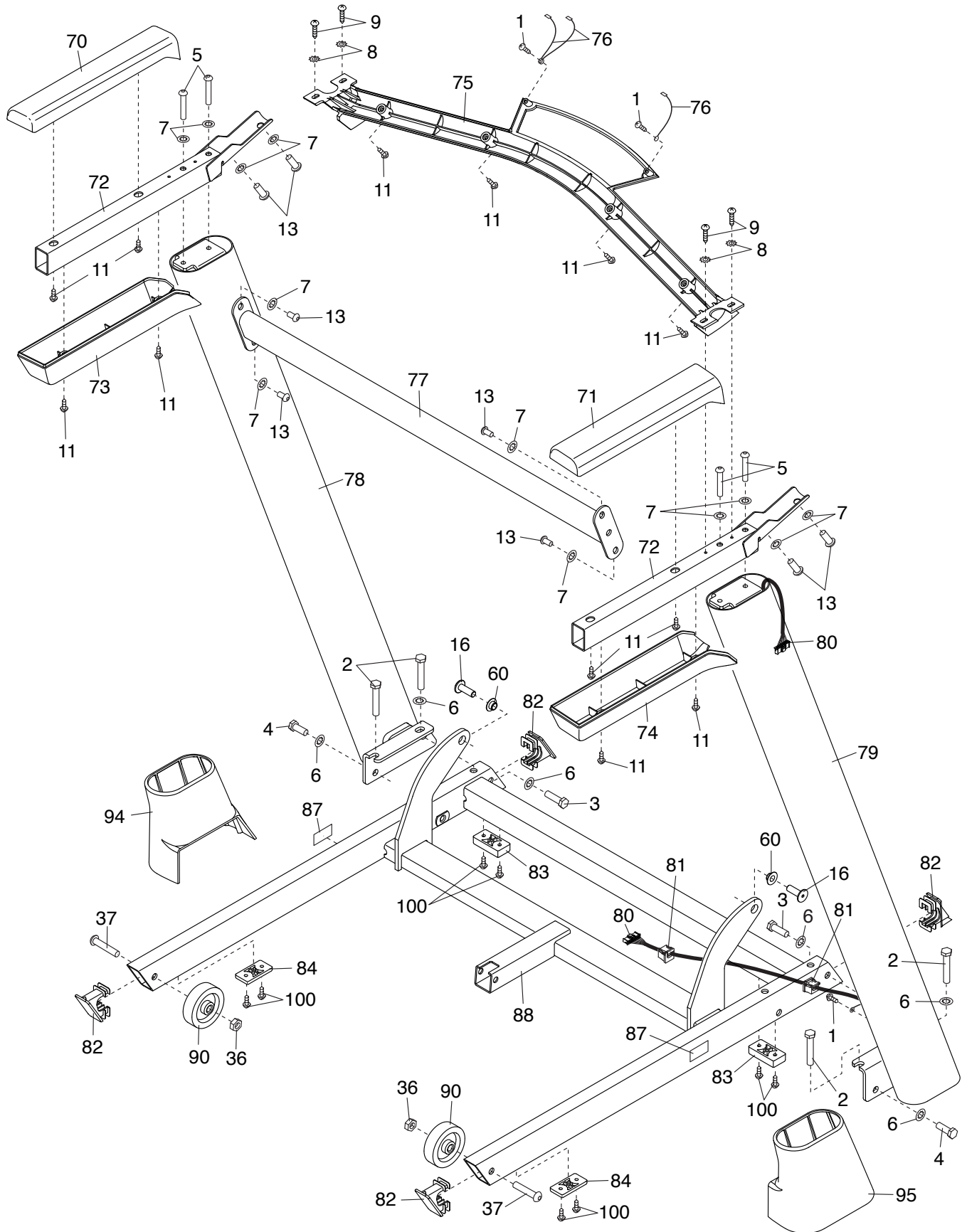
EXPLODED DRAWING B

Model No. PFTL79518.3 R1119A



EXPLODED DRAWING C

Model No. PFTL79518.3 R1119A



EXPLODED DRAWING D

Model No. PFTL79518.3 R1119A

