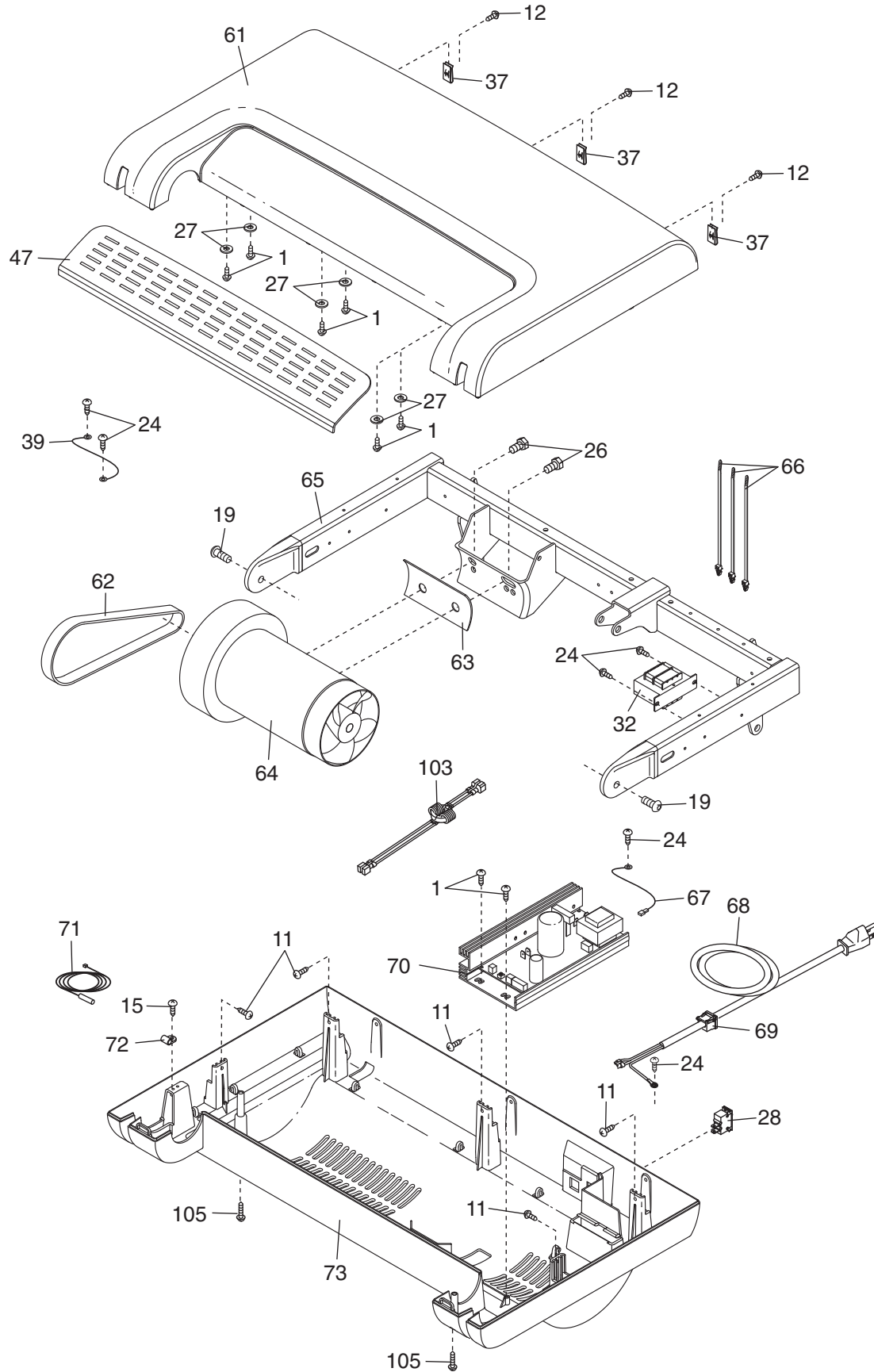


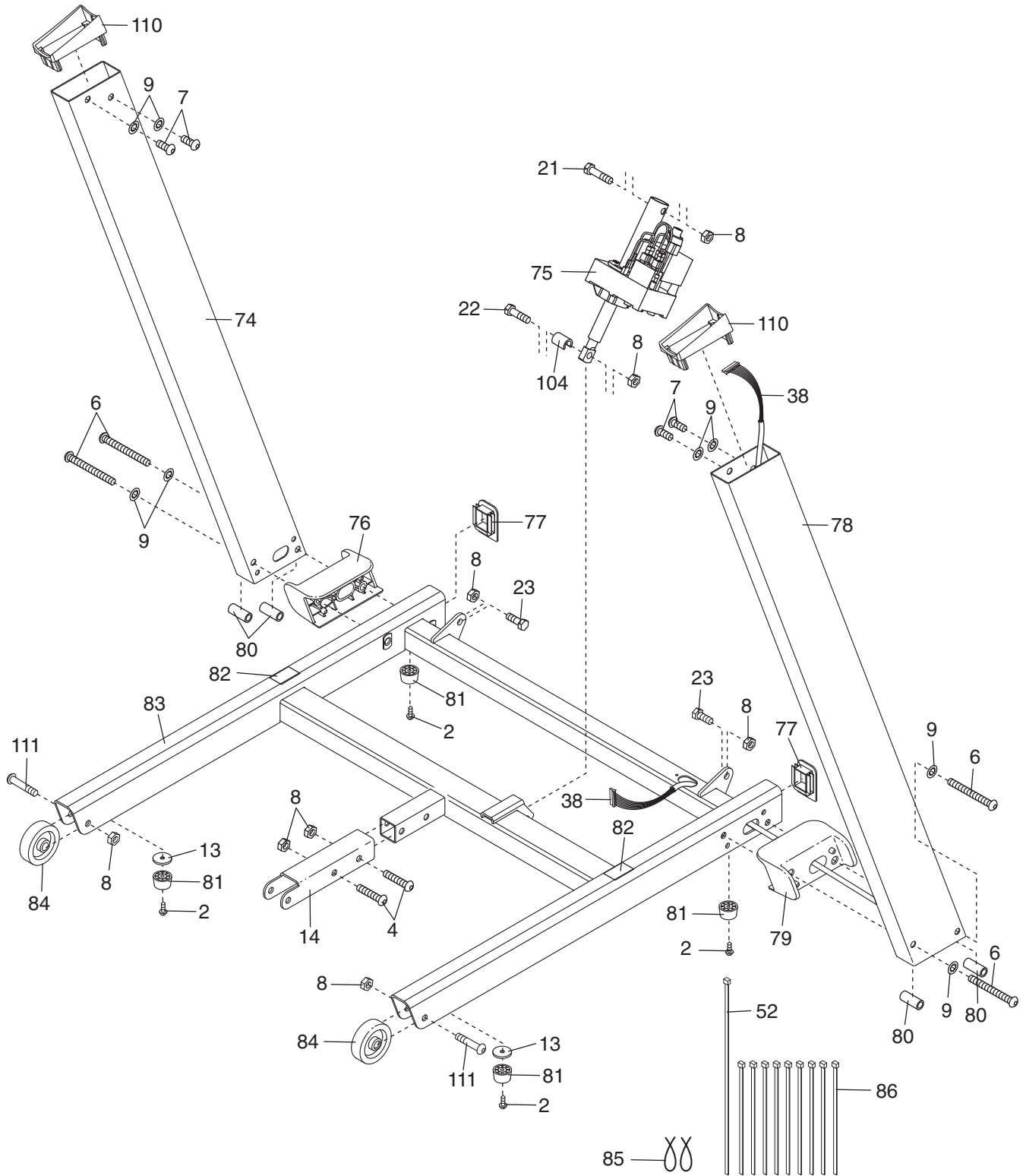
EXPLODED DRAWING B—Model No. PFTL79707.0

R0408A



EXPLODED DRAWING C—Model No. PFTL79707.0

R0408A



EXPLODED DRAWING D—Model No. PFTL79707.0

R0408A

