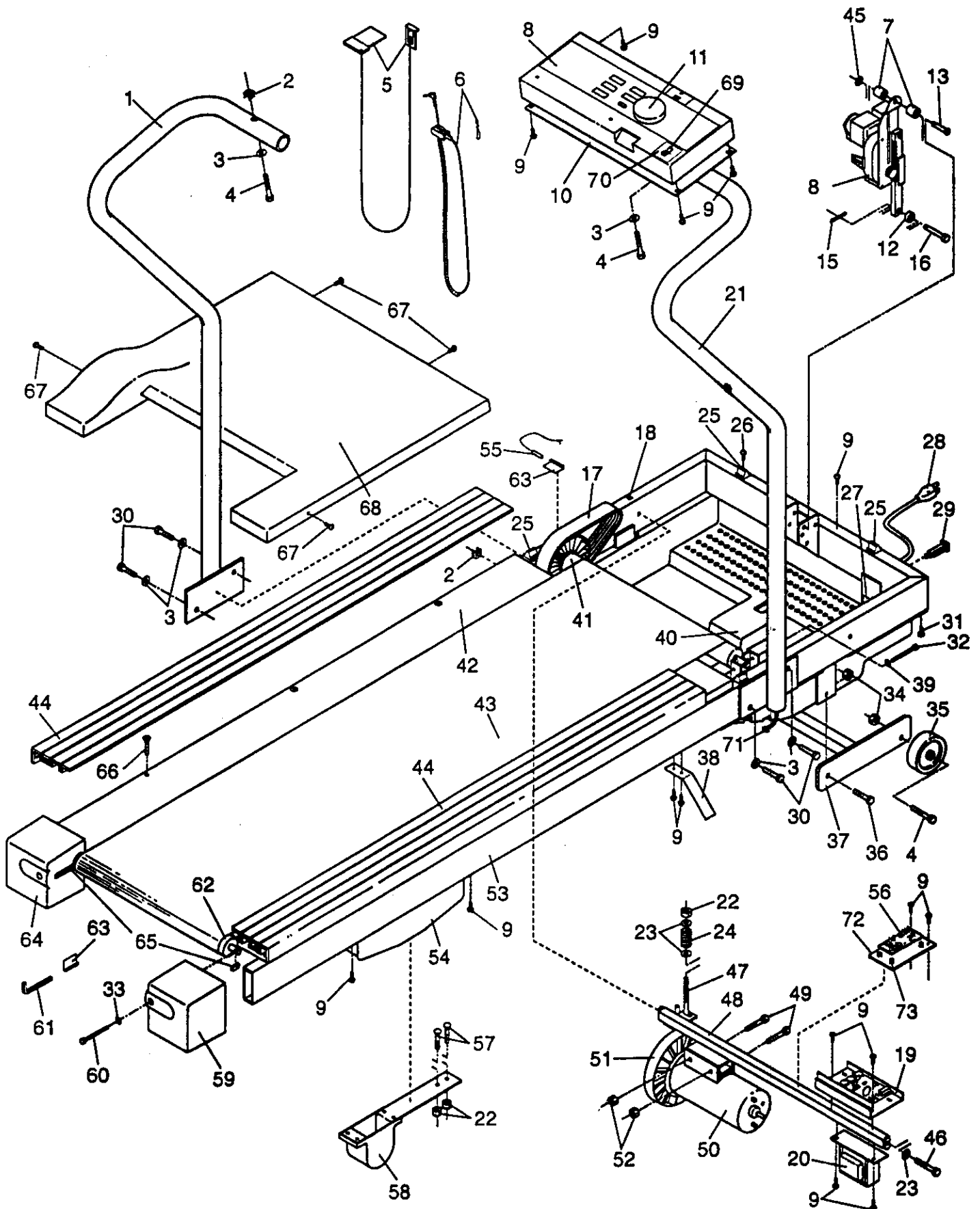


# EXPLODED DRAWING—Model No. PFTL85040

R894A



MODEL NUMBER: PFTL8504  
 VERSION: 00  
 PRODUCT NAME: PROFORM 10.0  
 PRODUCT DESC:

MODEL/PART BOOK LISTING

PAGE 1  
 IN1023P1

RUN DATE: 7/25/96  
 RUN TIME: 11:01:52

KEY NUMBER	PART NUMBER	DESCRIPTION	QUANTITY
	.	PROFORM 10.0	0
1	113237	LEFT SIDERAIL	1
2	111869	CAGE NUT	0
3	014087	SIDERAIL/BRACKET WASHER	0
4	013564	CONSOLE/WHEEL BOLT	1
5	106337	SAFETY KEY/CLIP	1
6	119946	PULSE/CLOTHES CLIP	1
7	101605	LONG SPACER	2
8	120097	CONSOLE ASSEMBLY	1
.	.	113810 CONSOLE	1
.	.	009135 BEZEL	1
.	.	031108 SWITCH	1
.	.	120096 REPLACEMENT INSTR.	1
9	108080	SCREW	10
10	113284	CONSOLE PLATE	1
11	110000	SPEED CONTROL KNOB	1
12	114270	SHORT SPACER	1
13	105121	UPPER INCLINE MOTOR PIN	1
14	115523	INCLINE MOTOR	1
15	106334	COTTER PIN	1
16	112669	INCLINE MOTOR PIN	1
17	106939	BELT	1
18	016055	WIRE CLIP	1
19	110447	CONTROLLER W/RI	1
.	.	108580 CONTROLLER	1
.	.	110446 REPLACEMENT INSTR.	1
20	109365	CHOKE	1
21	113239	RIGHT SIDERAIL	1
22	012082	TENSION/SPRING FOOT NUT	5
23	014041	TENSION/SWIVEL WASHER	1
24	104514	TENSION SPRING	1
25	113100	HOOD ANCHOR	1
26	013300	ANCHOR SCREW	1
27	019081	GROMMET	1
28	031229	POWER CORD	1
29	109382	CIRCUIT BREAKER	1
30	116068	SIDERAIL BOLT	1
31	013088	BELLY PAN SCREW	10
32	112609	FRONT ROLLER ADJ. BOLT	1
33	014127	REAR ROLLER ADJ. WASHER	2
34	012108	LOCK NUT	1
35	052014	FRONT WHEEL	2
36	104581	LEG BOLT	2
37	113224	INCLINE LEG	1
38	109265	BELT GUIDE	2
39	116890	FRONT ROLLER ADJ. WASHER	1
40	115461	BELLY PAN ASSEMBLY	1
.	.	117266 BELLY PAN	1
.	.	013088 SCREW	10
41	109272	FRONT ROLLER/PULLEY	1
42	124632	WALKING PLATFORM ASSEMBLY	1
.	.	122816 WALKING BOARD	1
.	.	127860 NAIL	12
.	.	110585 REPLACEMENT INSTR.	1

MODEL NUMBER: PFTL8504  
 VERSION: 00  
 PRODUCT NAME: PROFORM 10.0  
 PRODUCT DESC:

MODEL/PART BOOK LISTING

RUN DATE: 7/25/96  
 RUN TIME: 11:01:52

KEY NUMBER	PART NUMBER	DESCRIPTION	QUANTITY
.	.	NOTE: THIS ASSEMBLY HAS	0
.	.	BEEN CHANGED FROM THE	0
.	.	ORIGINAL WAXED BOARD	0
43	130475	WALKING BELT ASSEMBLY	1
44	114458	FOOT RAIL ASSEMBLY	1
.	.	113624 FOOT RAIL	1
.	.	127860 NAIL	0
.	.	107105 REPLACEMENT INSTR.	1
45	012133	PUSH NOT	1
46	101627	MOTOR SWIVEL BOLT	2
47	103855	J-BOLT	1
48	115929	MOTOR SWIVEL W/RI	1
.	.	115928 MOTOR SWIVEL	1
.	.	115930 REPLACEMENT INSTR.	1
49	123385	MOTOR BOLT	2
50	121126	MOTOR W/RI	1
.	.	119991 MOTOR	1
.	.	115930 REPLACEMENT INSTR.	1
50A	121127	MTR/PULY/FLWH/FAN ASSY.	1
51	112825	PULLEY/FLYWHEEL/FAN ASSY.	1
52	105477	MOTOR NOT	2
53	NSP	FRAME	1
54	113616	CUSHION COVER	2
55	115572	REED SWITCH/SENSOR WIRE	1
56	111205	MANUAL LIFT BOARD W/RI	1
.	.	105988 LIFT BOARD	1
.	.	015071 PLASTIC STAND-OFF	1
.	.	112097 REPLACEMENT INSTR.	1
57	110926	CUSHION SPRING BOLT	2
58	111432	CUSHION SPRING FOOT ASST.	1
.	.	109266 SPRING FOOT	1
.	.	109719 SPRING	1
.	.	112738 FASTENER	4
59	115460	RIGHT ROLLER ENDCAP ASSY.	1
.	.	113046 RIGHT ROLLER	1
.	.	113050 SPACER	1
60	013206	REAR ROLLER ADJ. BOLT	2
61	045010	ALLEN WRENCH	1
62	109788	REAR ROLLER W/RI	1
.	.	105264 REAR ROLLER	1
.	.	103847 REPLACEMENT INSTR.	1
63	016028	WRENCH CLIP	2
64	115459	LEFT ROLLER ENDCAP ASSY.	1
.	.	113045 LEFT ENDCAP	1
.	.	113050 SPACER	1
65	113050	REAR ROLLER SPACER	2
66	100691	PLATFORM SCREW	6
67	013540	HOOD SCREW	4
68	121426	MOTOR HOOD W/DECALS	1
.	.	108433 MOTOR HOOD	1
.	.	118133 MOTOR HOOD DECAL	1
.	.	118132 WIRE DIAGRAM DECAL	1
69	031108	INCLINE CONTROL	1
70	009135	INCLINE CONTROL BEZEL	1

MODEL NUMBER: PFTL8504  
 VERSION: 00  
 PRODUCT NAME: PROFORM 10.0  
 PRODUCT DESC:

MODEL/PART BOOK LISTING

PAGE 3

IN102314  
 RUN DATE: 7/25/96  
 RUN TIME: 11:01:52

KEY NUMBER	PART NUMBER	DESCRIPTION	QUANTITY
71	118149	INCLINE CONTROL WIRE	1
72	108973	LIFT BOARD BRACKET	1
73	015071	PLASTIC STAND-OFF	4
.	.	NON-ILLUSTRATED PARTS	0
#	110402	BATTERY COVER (SNAP ON)	1
#	NLA	BATTERY (1.5 VOLT)	2
#	111199	EXTENSION WIRE, 36" L	1
#	114261	REAR RLR GROUND WIRE, 8" L	1
#	112083	JUMPER WIRE, BLUE, 8" L	1
#	102246	JUMPER WIRE, WHITE, 8" L	1
#	109520	CABLE GUARD	2
#	118132	WIRE DIAGRAM DECAL	1
#	118133	MOTOR HOOD DECAL	1
#	118130	OWNER'S MANUAL	1
.	118131	LITERATURE PACKET	1
.	.	118130 OWNER'S MANUAL	1
.	.	115967 CONSUMER NOTICE	1
.	.	112589 TUBSE/CLOTHES CLIP	1
.	.	117011 SILICONE	1
.	.	113841 HARDWARE KIT	1
.	.	016028 WRENCH CLIP	1
.	.	015010 ALLEN WRENCH	1
.	.	116008 SCREW	2
.	.	014057 WASHER	2