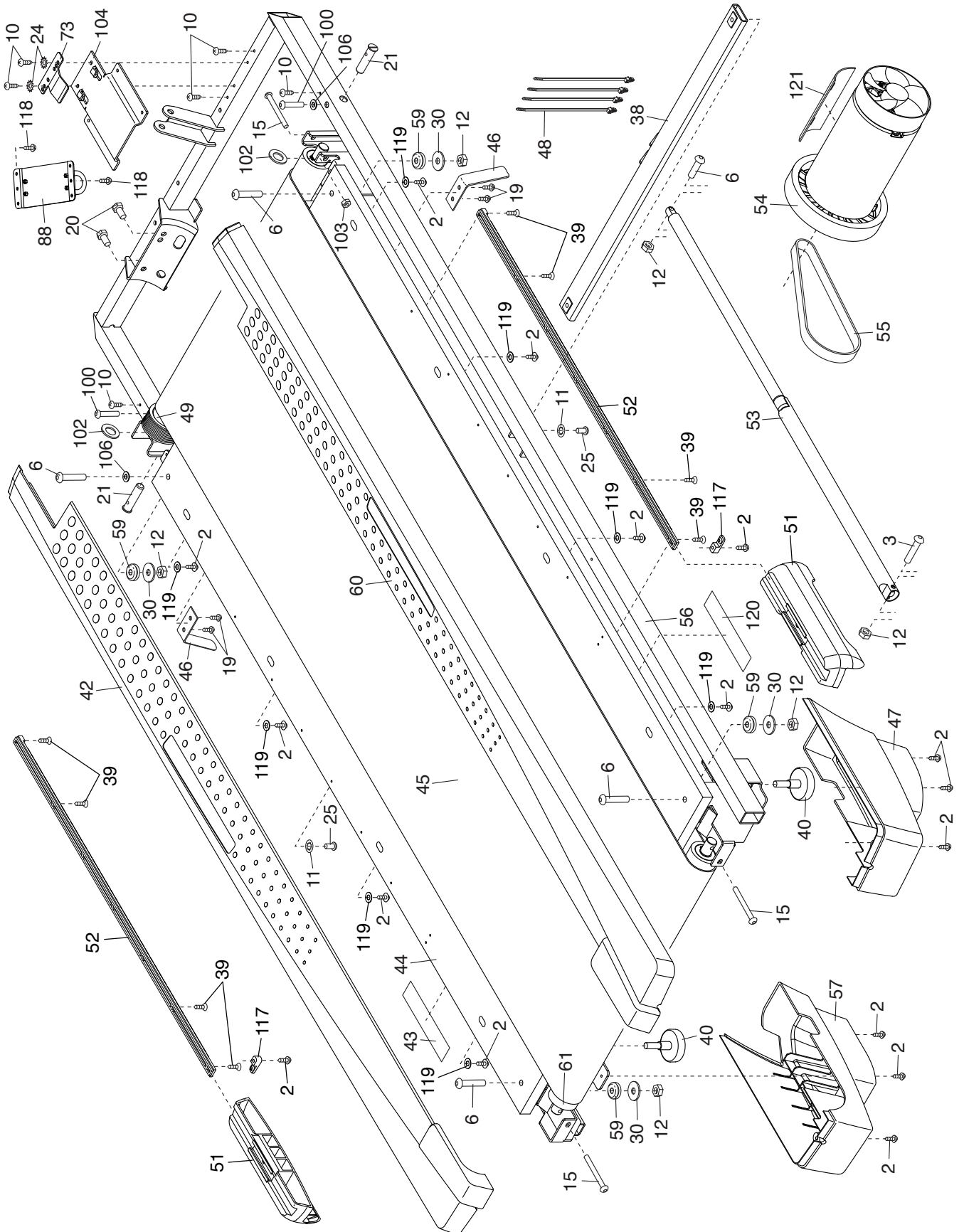


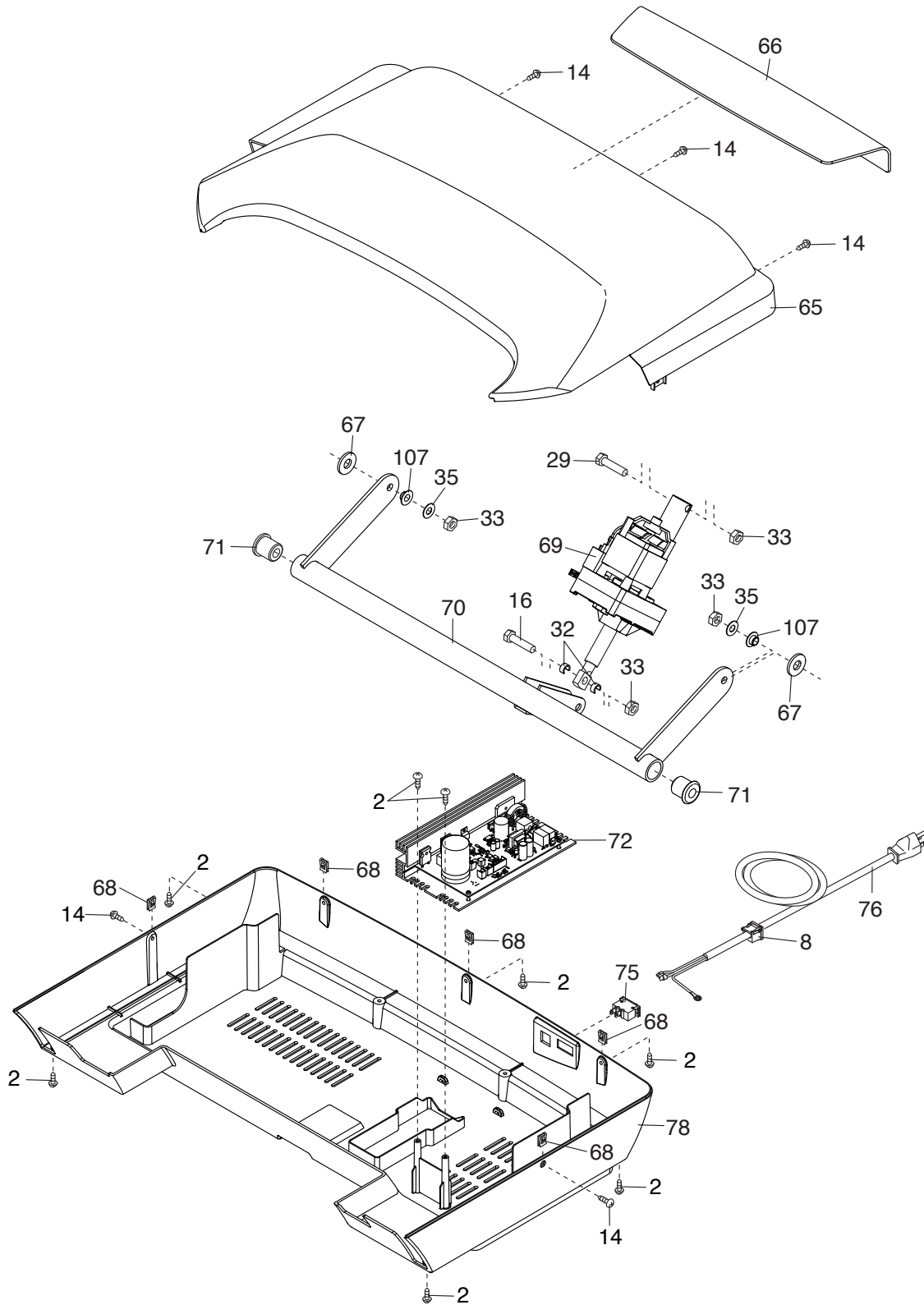
EXPLODED DRAWING A

Model No. PFTL89017C.1 R0917A



EXPLODED DRAWING B

Model No. PFTL89017C.1 R0917A



EXPLODED DRAWING C

Model No. PFTL89017C.1 R0917A

