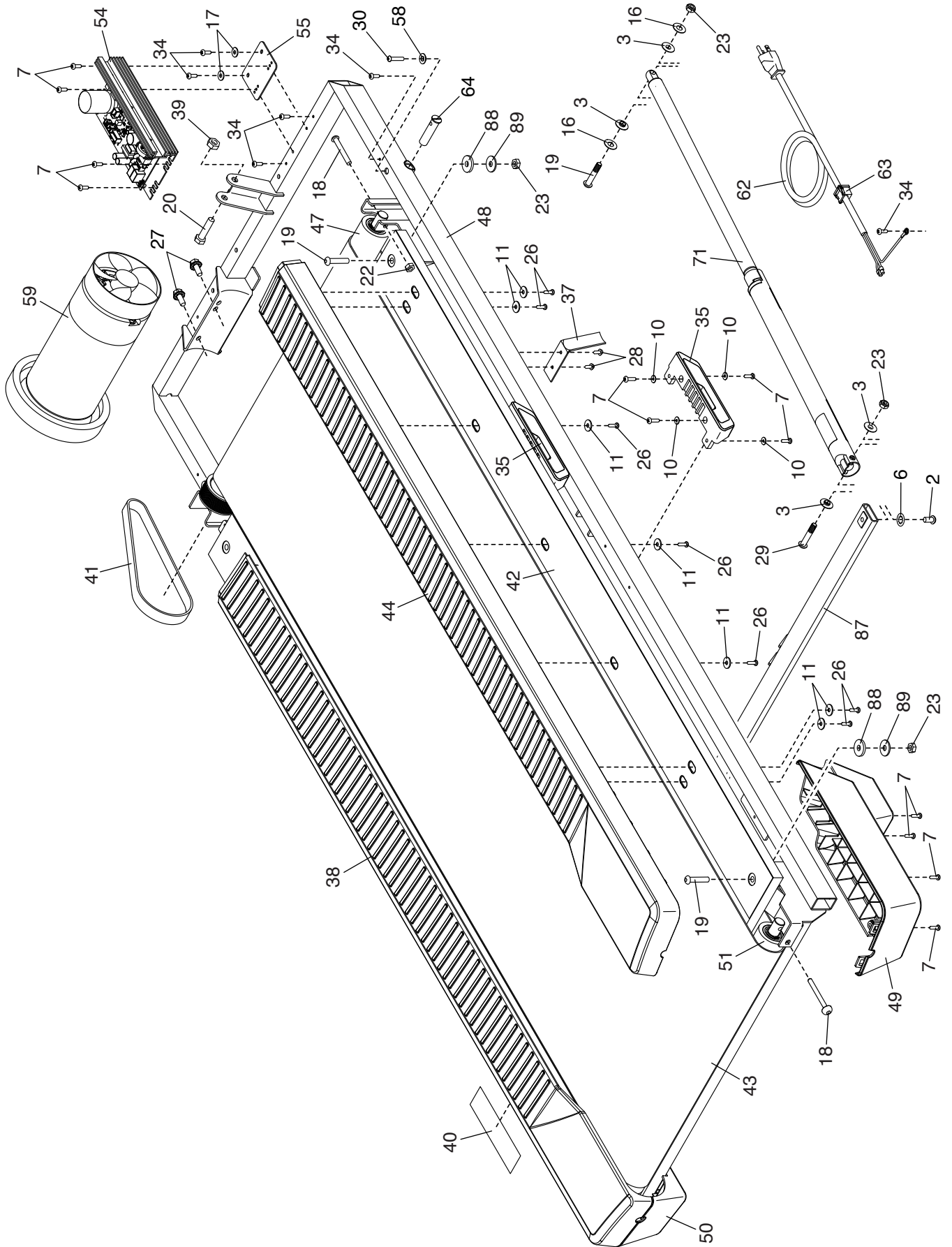


# EXPLODED DRAWING A

Model No. PFTL90924.0 R0923A





# EXPLODED DRAWING C

Model No. PFTL90924.0 R0923A

