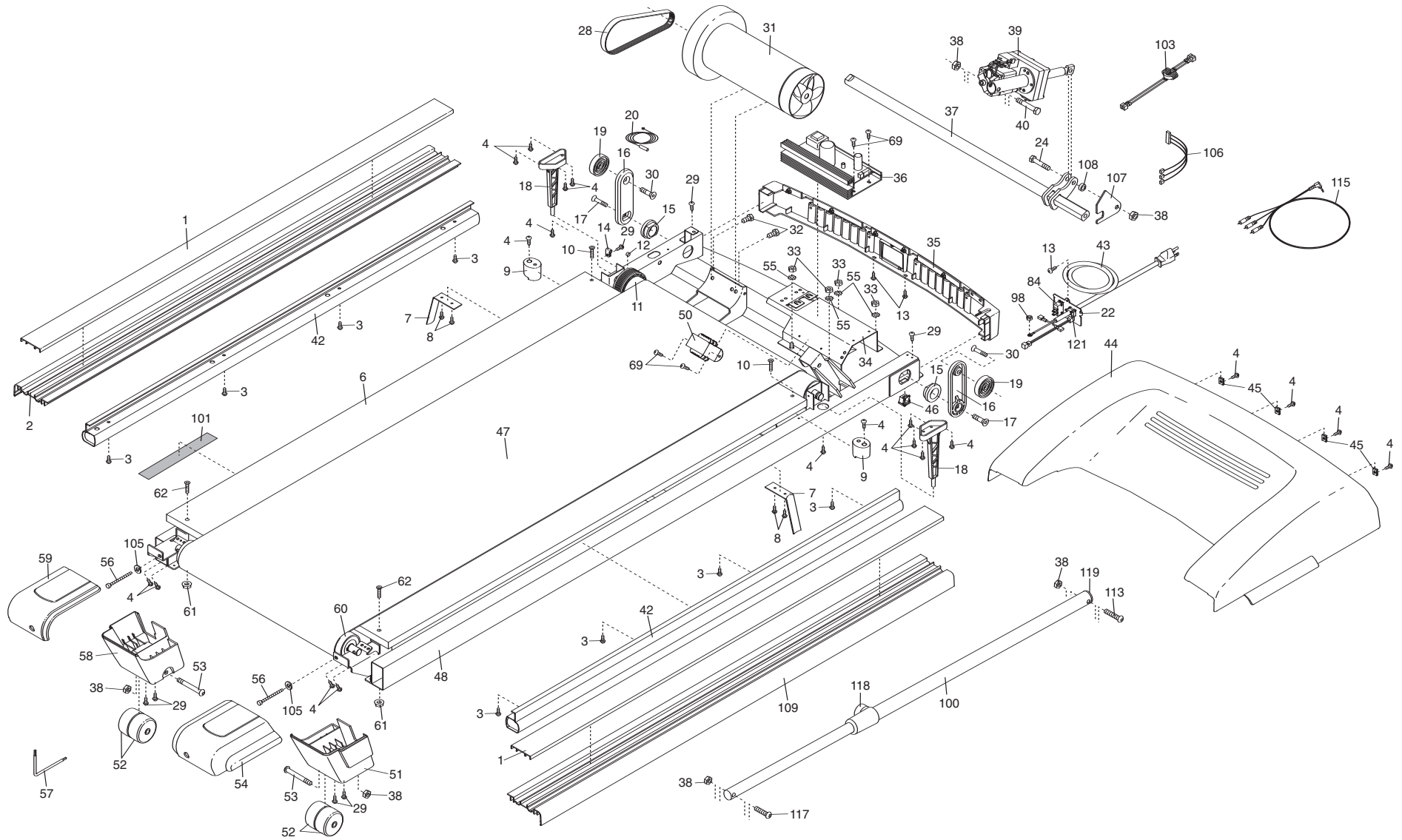


# EXPLODED DRAWING—Model No. PFTL99806.3

R0108A



# EXPLODED DRAWING—Model No. PFTL99806.3

R0108A

