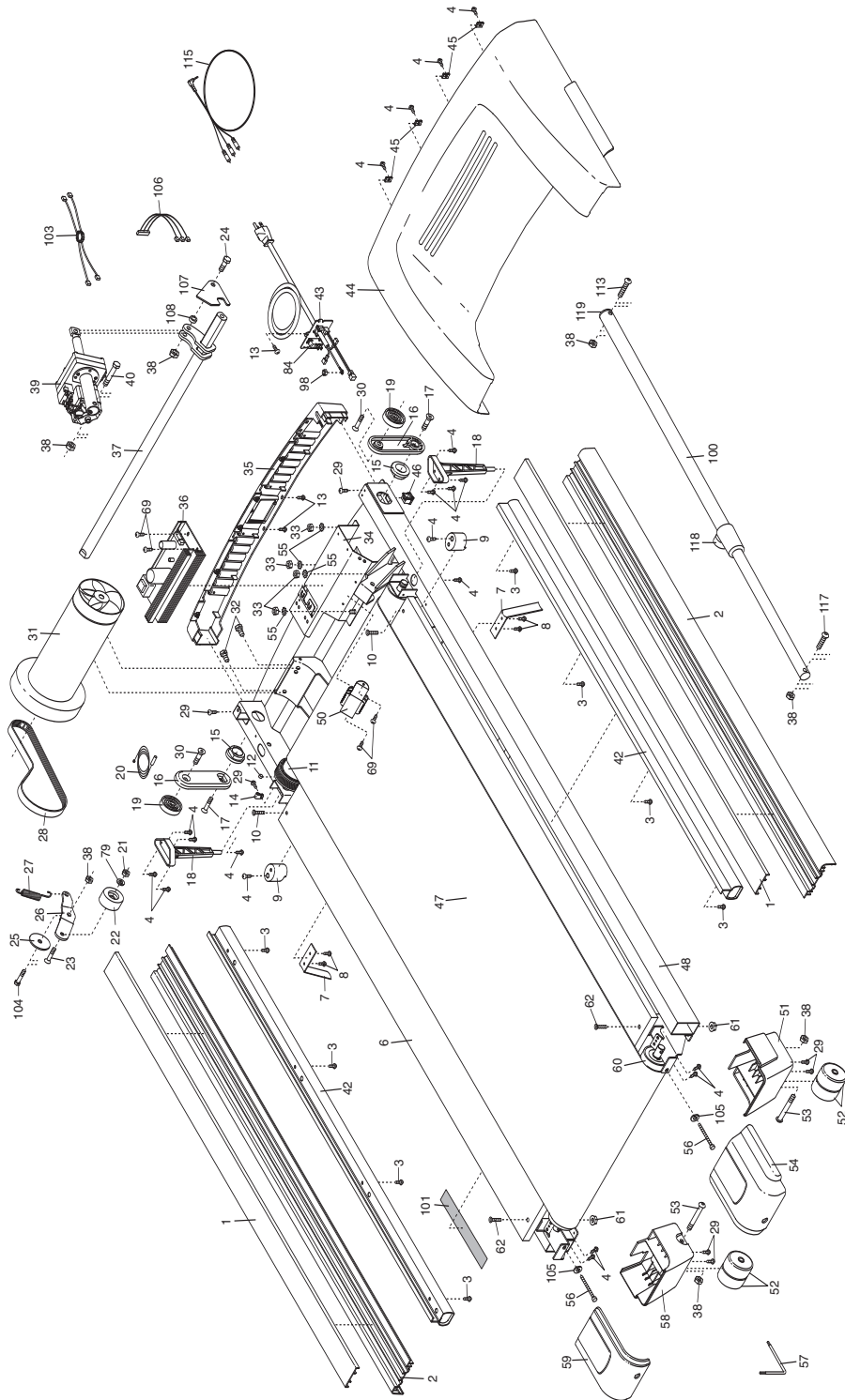


# EXPLODED DRAWING—Model No. PFTL99806.0

R1106A

To identify the parts shown on this EXPLODED DRAWING, see the PART LIST on pages 26 and 27.



# EXPLODED DRAWING—Model No. PFTL99806.0

R1106A

