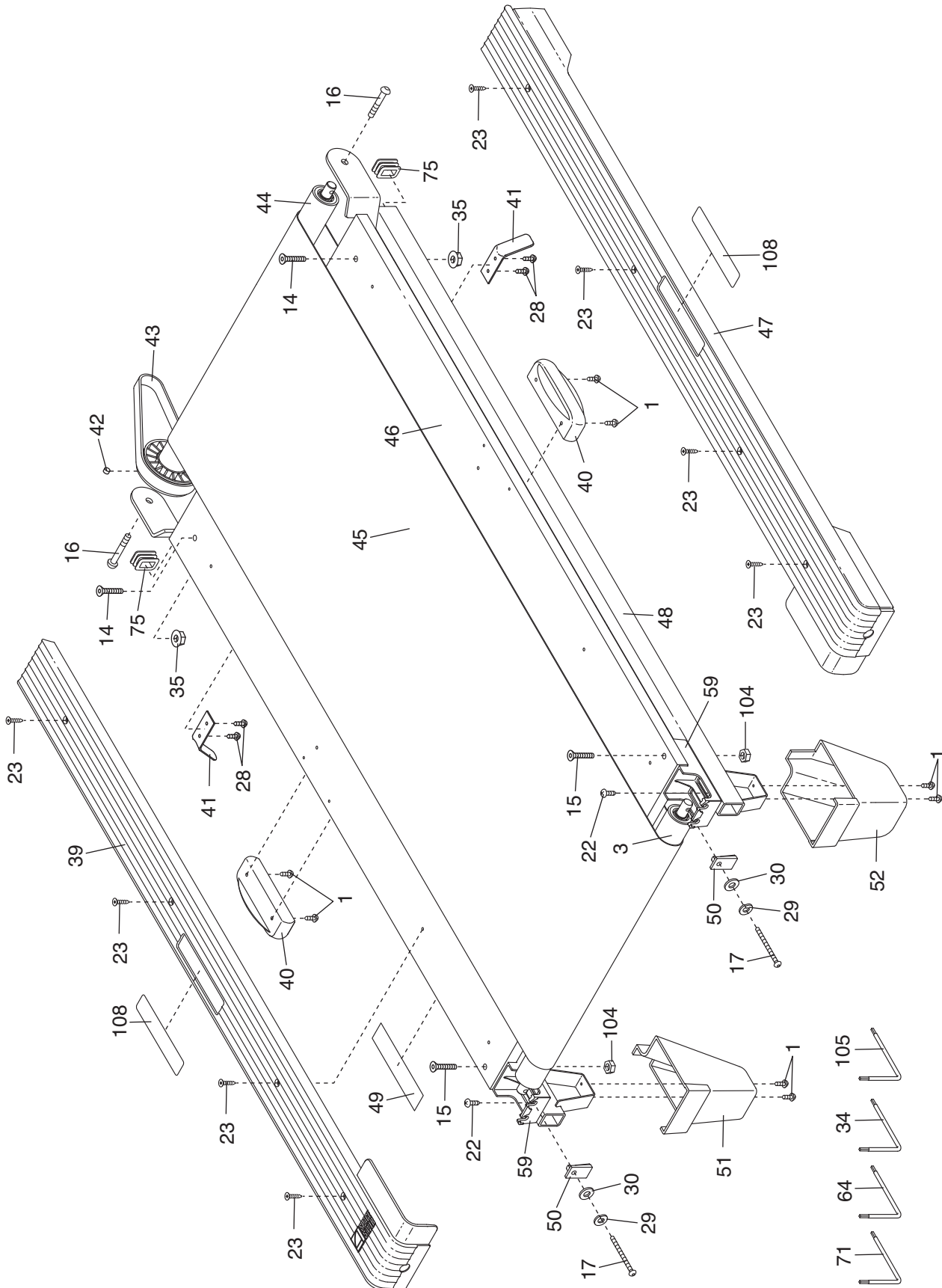


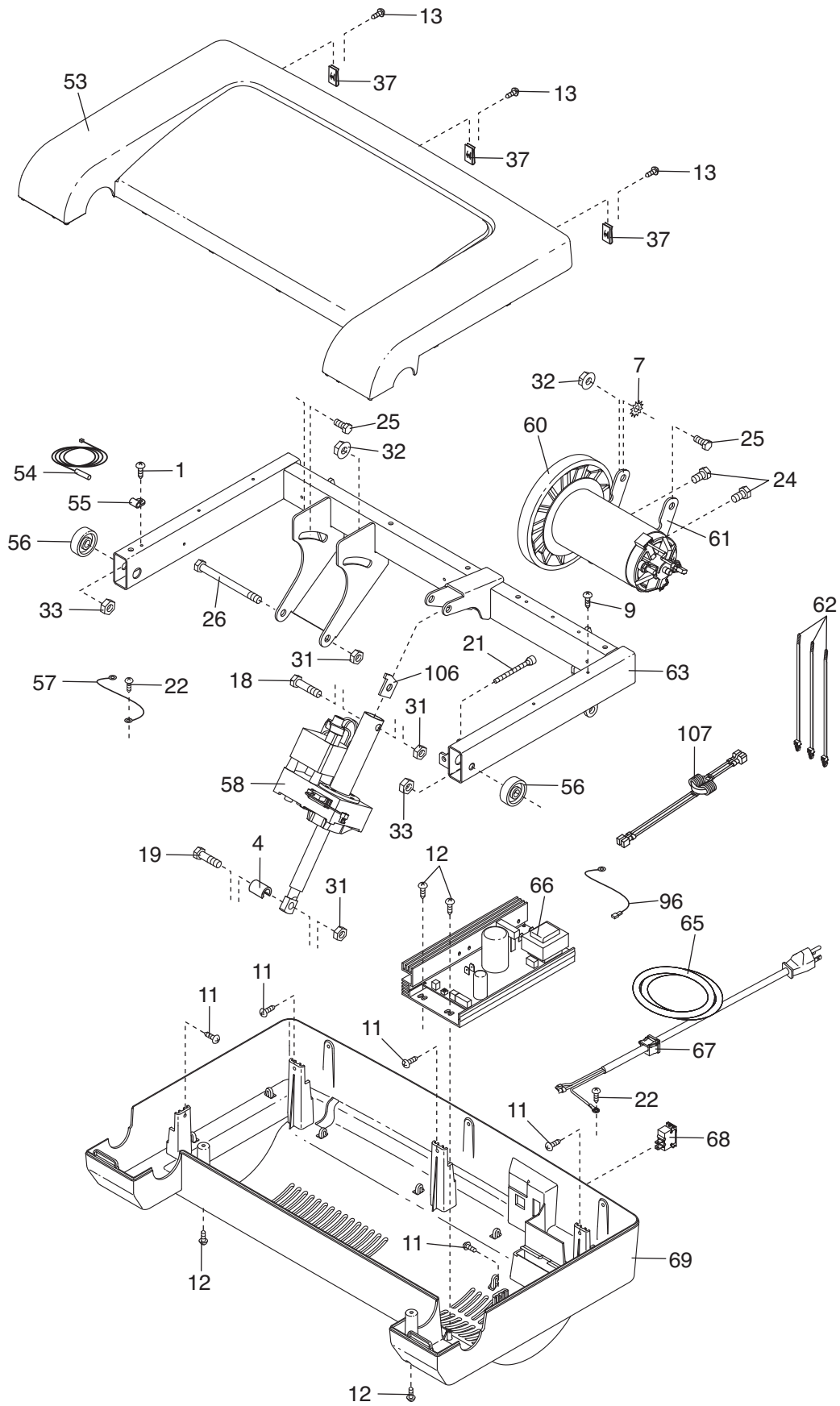
EXPLODED DRAWING A—Model No. PMTL39708.0

R0509A



EXPLODED DRAWING B—Model No. PMTL39708.0

R0509A



EXPLODED DRAWING D—Model No. PMTL39708.0

R0509A

