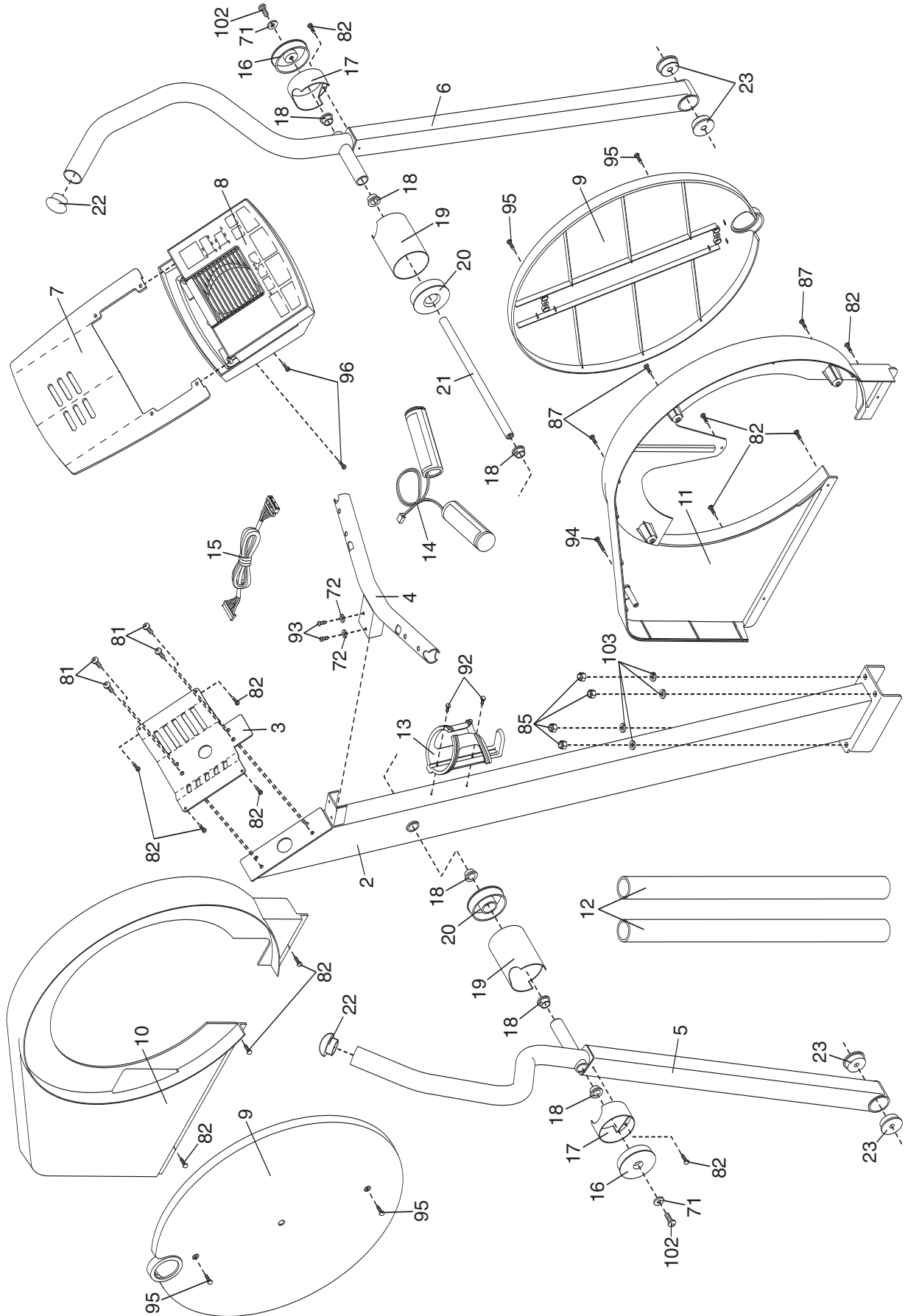
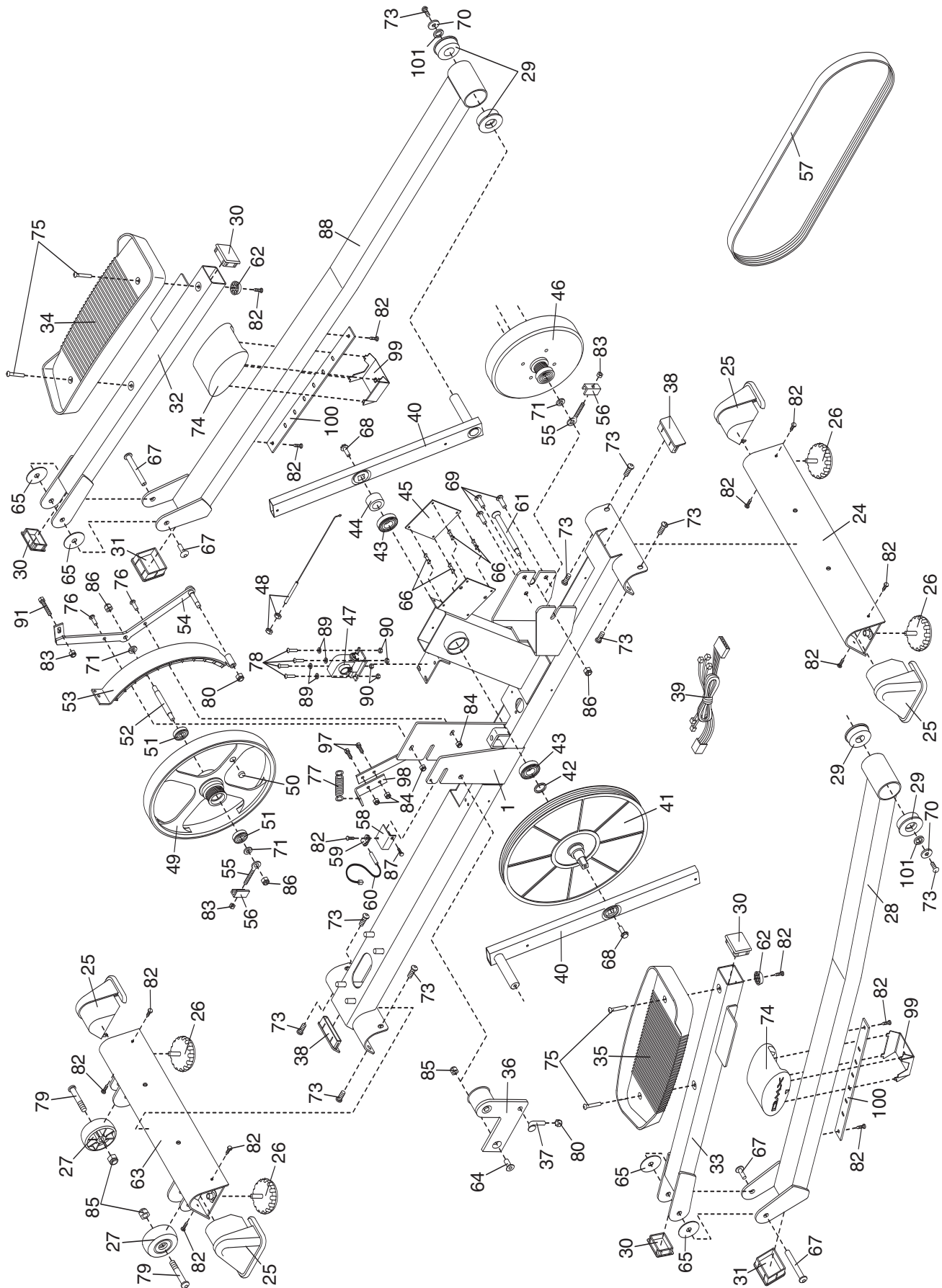


Key No.	Qty.	Description	Key No.	Qty.	Description
1	1	Frame	54	1	Magnet Bracket
2	1	Upright	55	2	Eyebolt
3	1	Console Bracket	56	2	Adjustment Bracket
4	1	Handlebar	57	1	Belt
5	1	Left Upper Body Arm	58	1	Reed Switch Bracket
6	1	Right Upper Body Arm	59	1	Reed Switch Clamp
7	1	Bookrack	60	1	Reed Switch/Wire
8	1	Console	61	1	Generator Axle
9	2	Pedal Disk	62	2	Bumper
10	1	Left Side Shield	63	1	Front Stabilizer
11	1	Right Side Shield	64	1	Idler Bolt
12	2	Foam Grip	65	4	Pedal Arm Spacer
13	1	Water Bottle Holder	66	4	Stand-off
14	1	Hand Pulse Sensor/Wire	67	2	Bolt Set
15	1	Upper Wire Harness	68	2	Flange Bolt
16	2	Pivot Endcap	69	3	5/16" x 13mm Screw
17	2	Pivot Spacer	70	2	Large M8 Washer
18	6	Pivot Bushing	71	5	Small M8 Washer
19	2	Upright Spacer	72	2	M6 Split Washer
20	2	Upright Bushing	73	10	M8 x 25mm Patch Screw
21	1	Pivot Axle	74	2	Pedal Cushion
22	2	Upper Body Endcap	75	4	M6 x 20mm Screw
23	4	Upper Body Bushing	76	2	M6 x 16mm Bolt
24	1	Rear Stabilizer	77	1	Spring
25	4	Stabilizer Endcap	78	4	M5 x 16mm Bolt
26	4	Foot	79	2	M10 x 56mm Bolt
27	2	Wheel	80	2	M8 Nylon Locknut
28	1	Left Pedal Leg	81	4	M8 x 19mm Button Screw
29	4	Pedal Leg Bushing	82	28	M4 x16mm Self-tapping Screw
30	4	Pedal Arm Endcap	83	3	M6 Nut
31	2	Pedal Leg Endcap	84	4	M6 Nylon Locknut
32	1	Right Pedal Arm	85	7	M10 Nylon Locknut
33	1	Left Pedal Arm	86	3	M8 Nylon Jam Nut
34	1	Right Pedal	87	4	M5 x 16mm Screw
35	1	Left Pedal	88	1	Right Pedal Leg
36	1	Idler Arm	89	4	M5 Washer
37	1	"J" Bolt	90	4	M5 Nylon Locknut
38	2	Frame Endcap	91	1	M6 x 38mm Bolt
39	1	Lower Wire Harness	92	2	M4 x 19mm Screw
40	2	Crank Arm	93	2	M6 x 16mm Button Screw
41	1	Pulley/Crank	94	1	M4 x 63mm Screw
42	1	Crank Washer	95	4	M5 x 25mm Screw
43	2	Crank Bearing	96	2	M4 x 25mm Screw
44	1	Crank Spacer	97	2	M6 x 14mm Bolt
45	1	Control Board	98	1	Magnet Spring Bracket
46	1	Generator	99	2	Cushion Bracket
47	1	Resistance Motor	100	2	Selector Plate
48	1	Resistance Cable	101	2	Wave Washer
49	1	Flywheel	102	2	M8 x 19mm Shoulder Screw
50	1	Magnet	103	4	M10 Split Washer
51	2	Flywheel Bearing	#	4	Allen Wrench
52	1	Flywheel Axle	#	1	Grease
53	1	"C" Magnet	#	1	User's Manual

Note: "#" indicates a non-illustrated part. Specifications are subject to change without notice. See the back cover of this manual for information about ordering replacement parts.





Note: To identify parts shown on the EXPLODED DRAWING, see page 29.