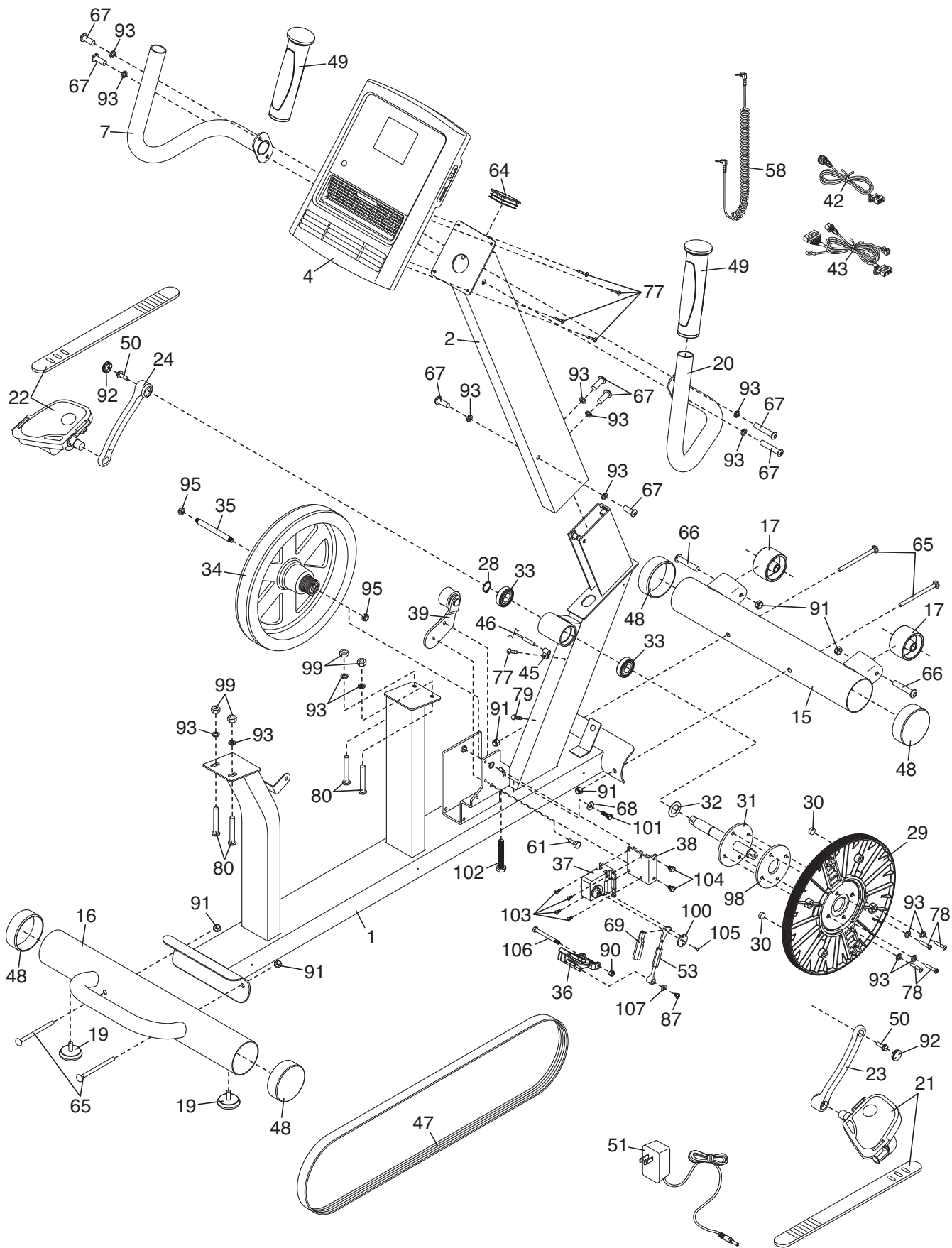


EXPLODED DRAWING A

Model No. RBCCEX14910.0 R1010A



EXPLODED DRAWING B

Model No. RBCCEX14910.0 R1010A

