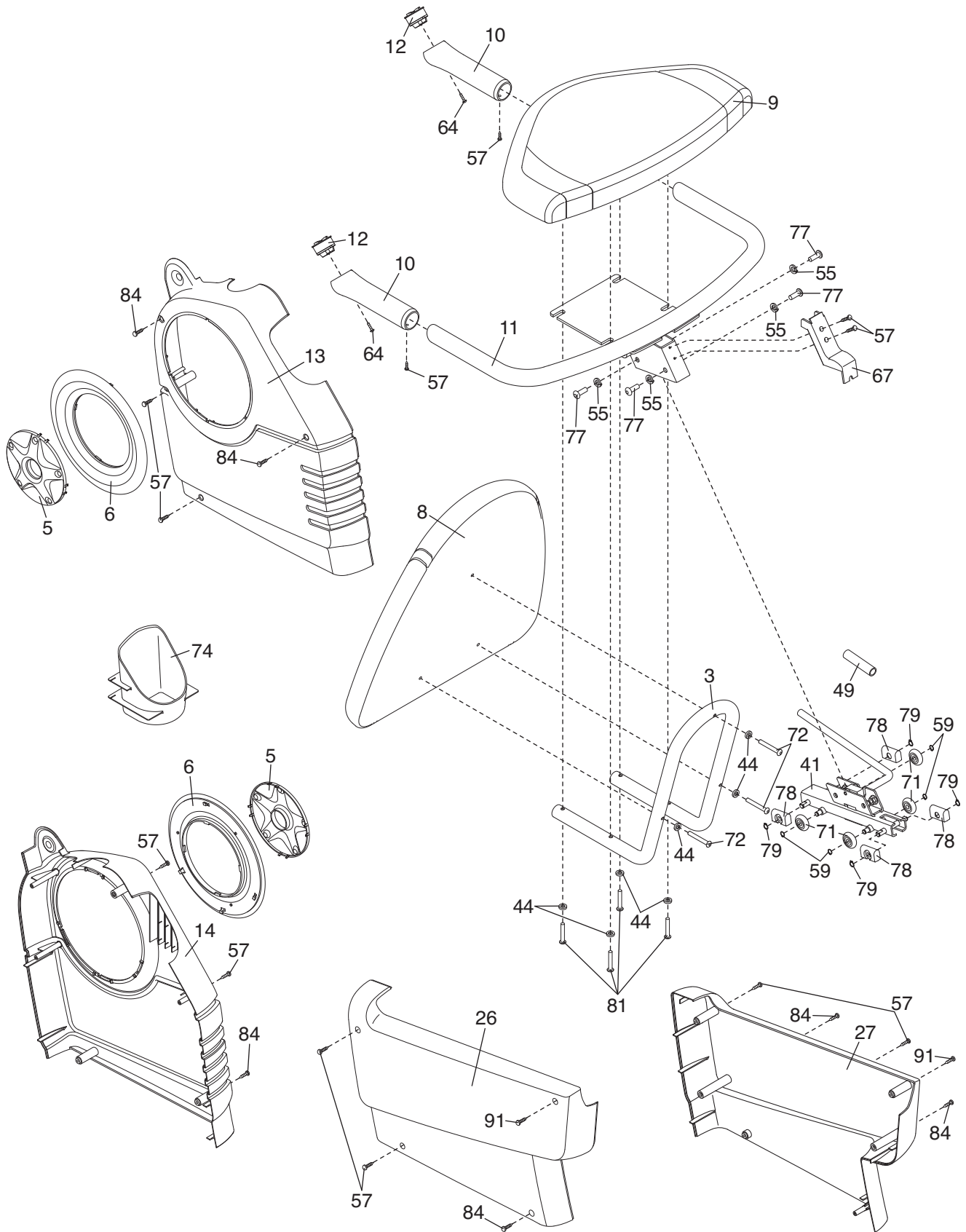


EXPLODED DRAWING A—Model No. RBCCEX3978.0

R0408A



EXPLODED DRAWING B—Model No. RBCCEX3978.0

R0408A

