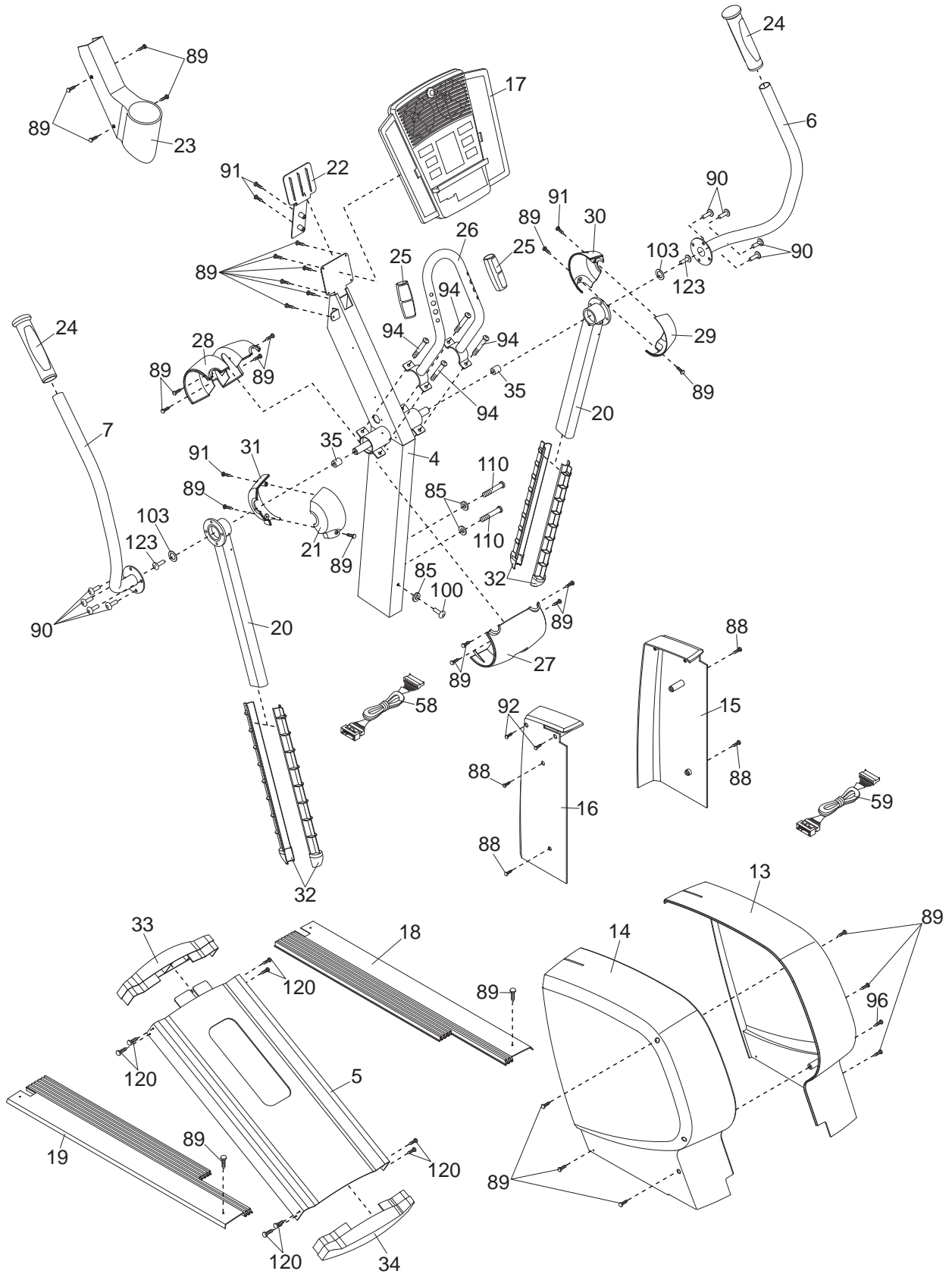


EXPLODED DRAWING A—MODEL NO. RBE0995.1

R1205A



EXPLODED DRAWING B—MODEL NO. RBE0995.1

R1205A

