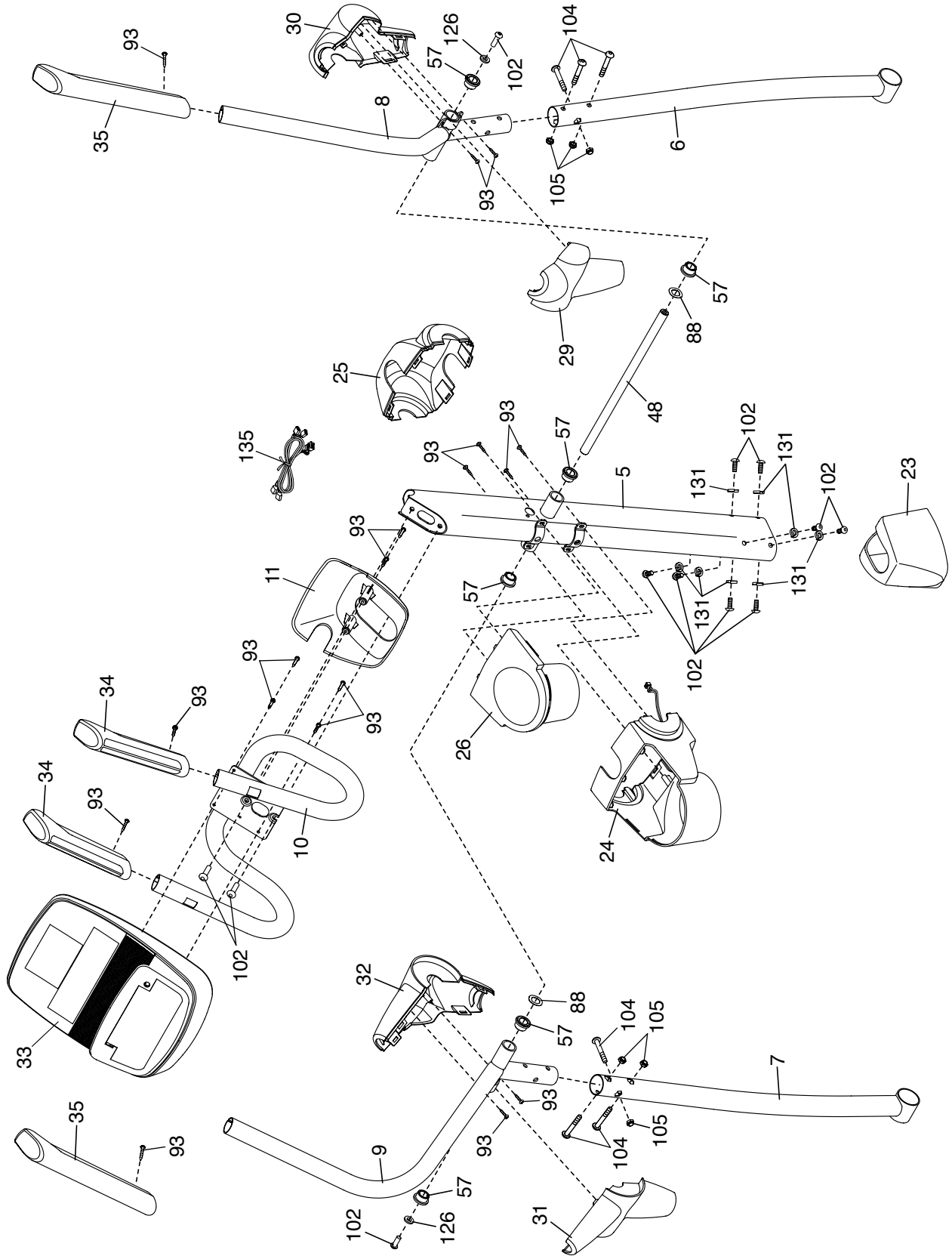


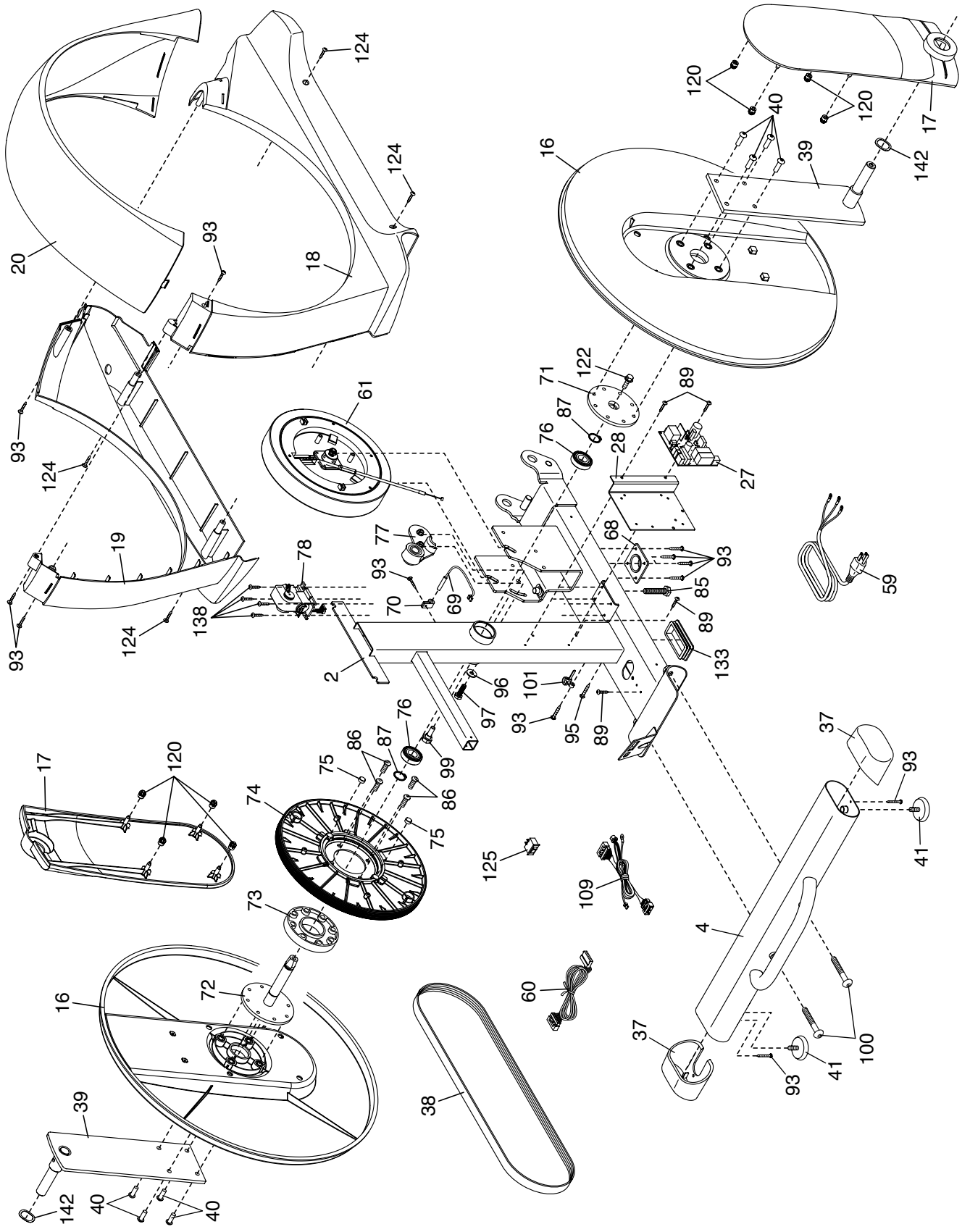
EXPLODED DRAWING A

Model No. RBEL07913.0 R0113A



EXPLODED DRAWING B

Model No. RBEL07913.0 R0113A



EXPLODED DRAWING D

Model No. RBEL07913.0 R0113A

