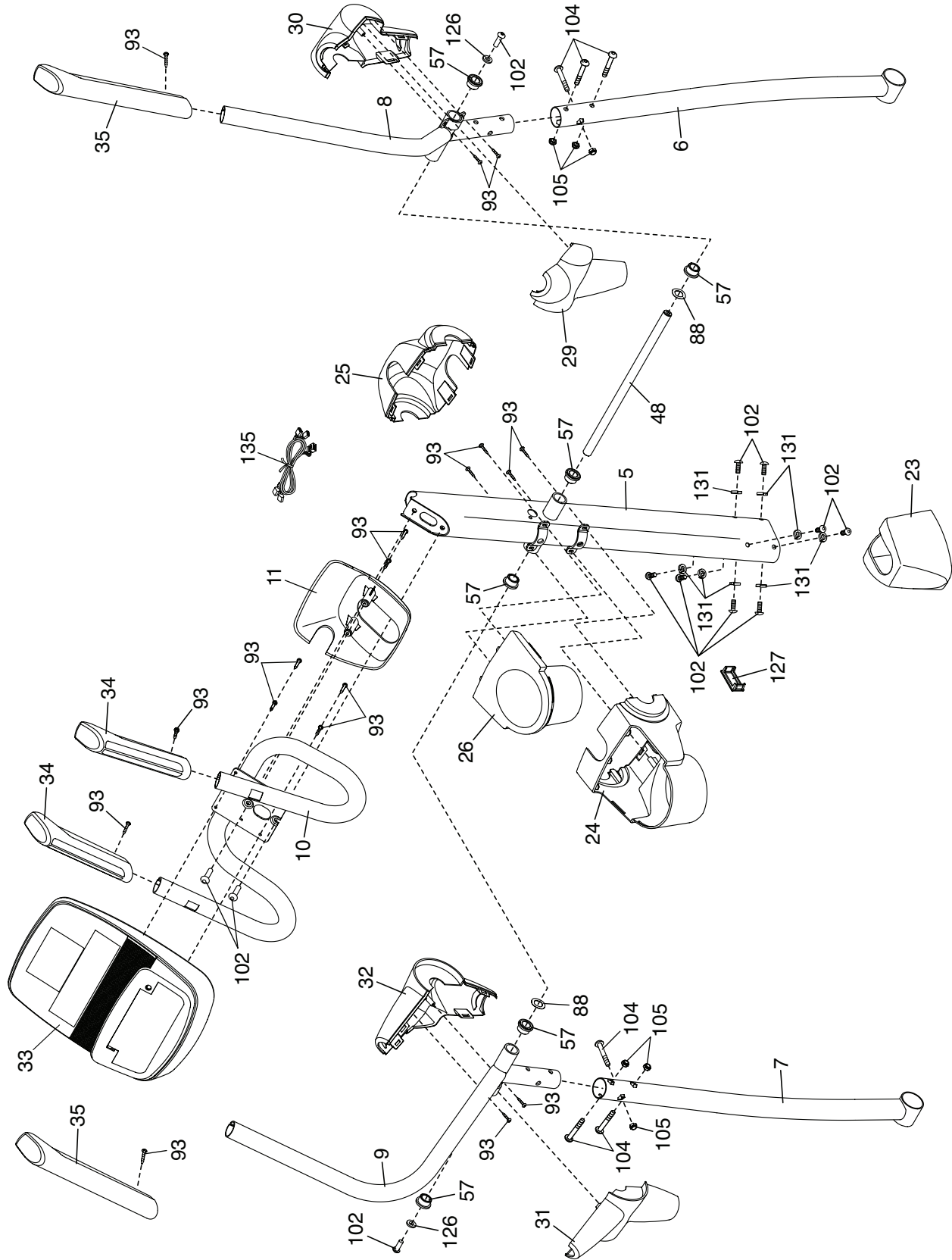


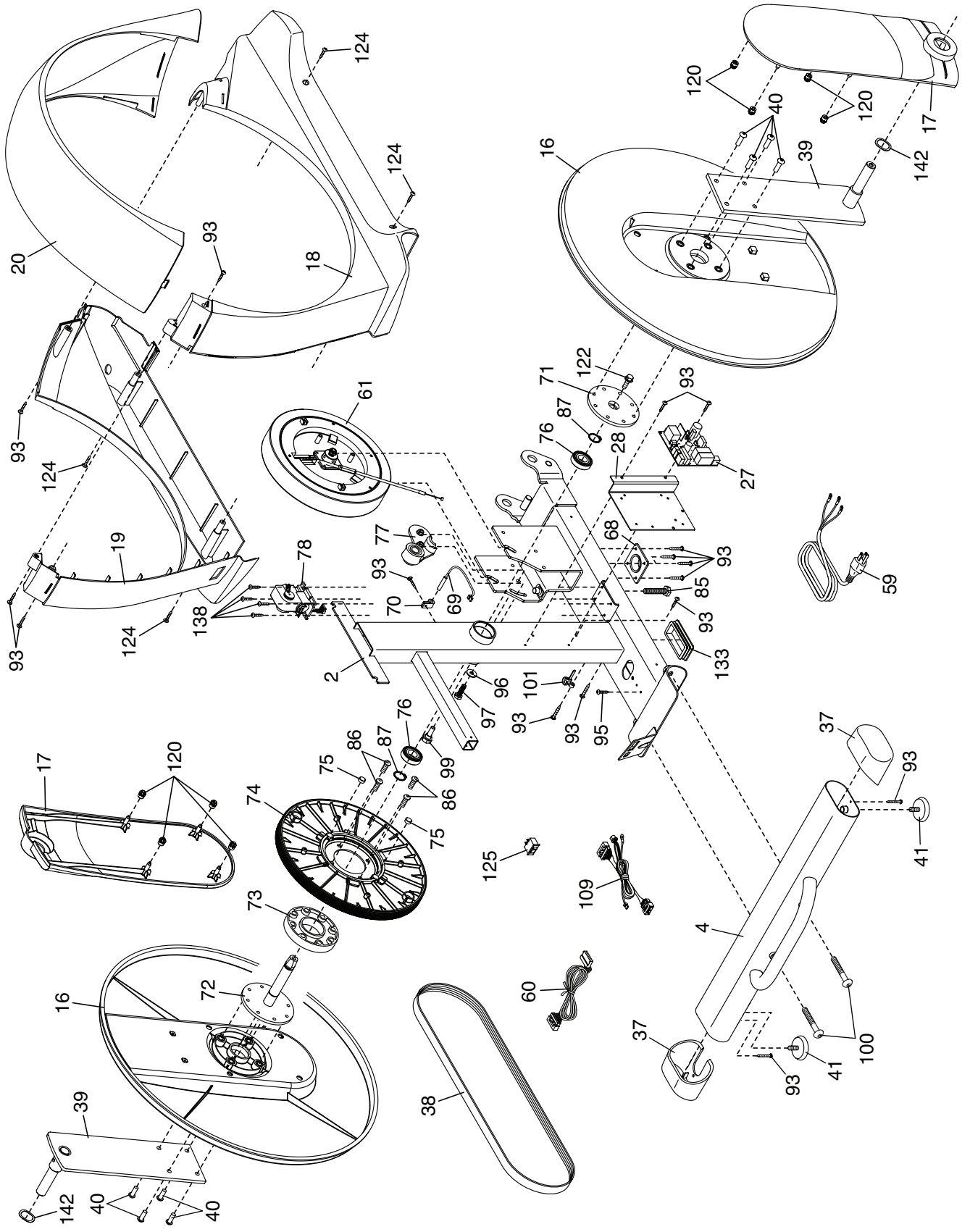
EXPLODED DRAWING A

Model No. RBEL07913.1 R0214A



EXPLODED DRAWING B

Model No. RBEL07913.1 R0214A



EXPLODED DRAWING C

Model No. RBEL07913.1 R0214A

