

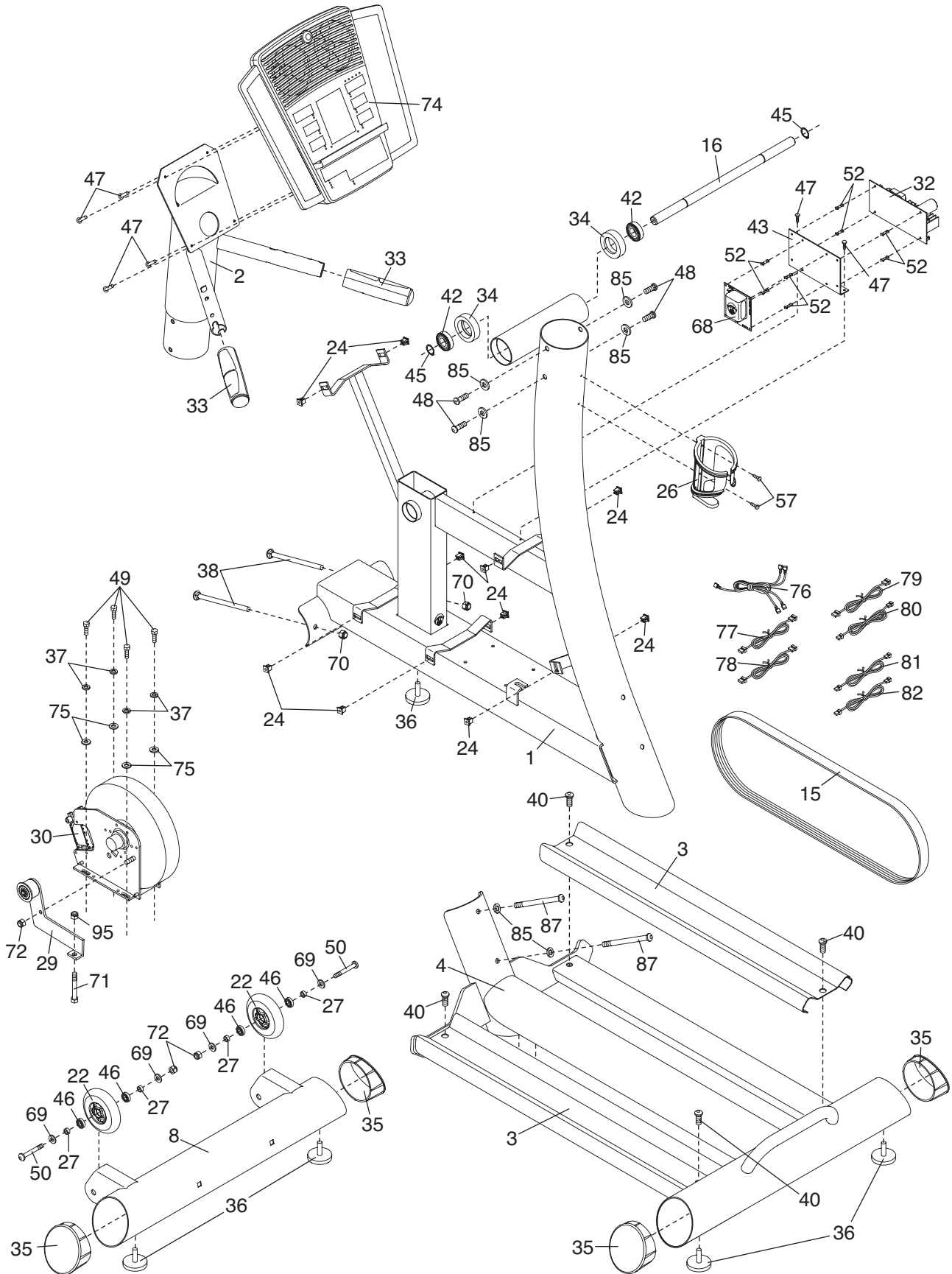
To locate the parts listed below, see the EXPLODED DRAWING on pages 25, 26, and 27.

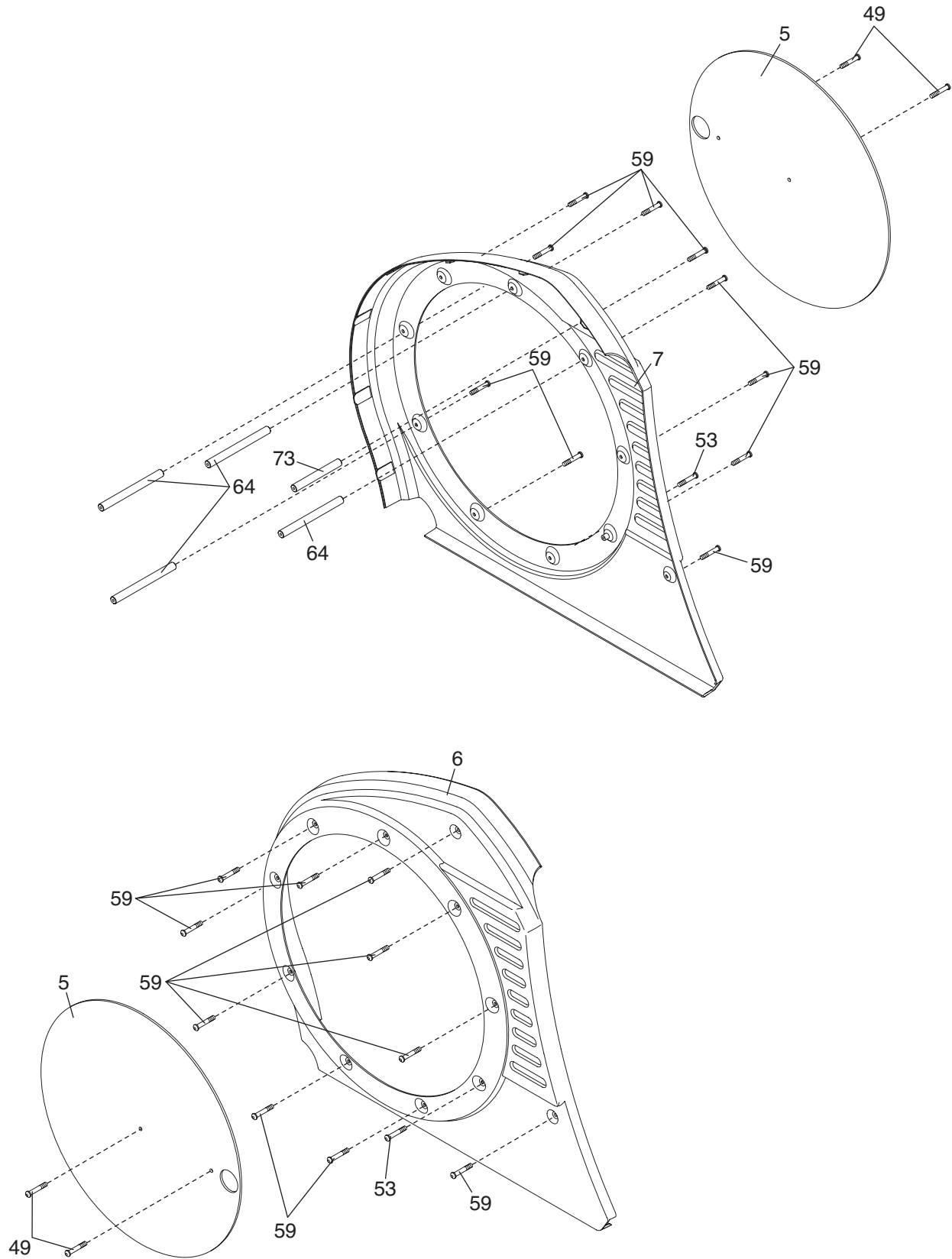
Key No.	Qty.	Description	Key No.	Qty.	Description
1	1	Frame	50	2	M8 x 56mm Button Screw
2	1	Upright	51	4	Crank Screw
3	2	Track	52	8	Stand Off
4	1	Track Frame	53	2	M6 x 12mm Button Screw
5	2	Pedal Disk	54	14	M10 x 13mm Button Screw
6	1	Left Side Shield	55	4	7mm Spacer
7	1	Right Side Shield	56	4	M8 x 19mm Button Screw
8	1	Stabilizer	57	2	M4 x 22mm Screw
9	1	Crank	58	4	M8 x 38mm Button Bolt
10	1	Crank Spacer	59	20	M5 x 16mm Screw
11	1	Right Track Arm	60	8	16mm Spacer
12	1	Left Track Arm	61	2	M8 x 48mm Bolt
13	1	Right Pedal Leg	62	2	3mm Spacer
14	1	Left Pedal Leg	63	8	Pedal Bushing
15	1	Drive Belt	64	4	Long Side Shield Spacer
16	1	Handlebar Axle	65	2	Key
17	2	Handlebar Leg	66	4	Thrust Washer
18	4	M8 Small Washer	67	14	M10 Washer
19	1	Left Handlebar	68	1	Battery Pack
20	1	Right Handlebar	69	12	M8 Washer
21	2	Pedal	70	2	M10 Nylon Locknut
22	2	Transport Wheel	71	1	Tension Bolt
23	2	Handlebar Foam	72	11	M8 Nylon Locknut
24	10	Plastic Insert	73	1	Short Side Shield Spacer
25	1	Pulley	74	1	Display Console
26	1	Water Bottle Holder	75	4	M6 Washer
27	4	6mm Spacer	76	1	Pulse Jumper Wire
28	2	Set Screw	77	1	Upper Wire Harness
29	1	Idler	78	1	Lower Wire Harness
30	1	Generator	79	1	Controller Wire Harness
31	4	Wheel	80	1	Ground Wire
32	1	Control Board	81	1	Generator Coil Wire
33	2	Pulse Grip	82	1	Electromagnet Wire
34	10	Bearing Cradle	83	1	Left Crank Arm
35	4	Endcap	84	1	Right Crank Arm
36	5	Levelling Foot	85	20	M10 Split Washer
37	4	M6 Split Washer	86	4	M8 Split Washer
38	2	M10 x 116mm Carriage Bolt	87	2	M10 x 123mm Button Screw
39	2	Handlebar Cap	88	4	Wave Washer
40	4	Track Screw	89	3	Weld Spacer
41	4	Axle Cap	90	4	Small Bearing Cradle
42	12	Bearing	91	12	Small Bearing
43	1	Controller Bracket	92	2	M8 x 55mm Bolt Set
44	1	Short Crank Spacer	93	2	Wheel Bolt
45	2	Snap Ring	94	2	M10 x 65mm Bolt Set
46	4	Wheel Bushing	95	1	M10 Flange Nut
47	6	M4 x 16mm Screw	#	1	User's Manual
48	4	M10 x 25mm Patch Screw	#	3	Hex Key
49	8	M6 x 16mm Button Screw	#	2	Grease

Note: # indicates a non-illustrated part. Specifications are subject to change without notice. See the back cover of this manual for information about ordering replacement parts.

EXPLODED DRAWING A—MODEL NO. RBEL4255.0

R1107A





EXPLODED DRAWING C—MODEL NO. RBEL4255.0

R1107A

