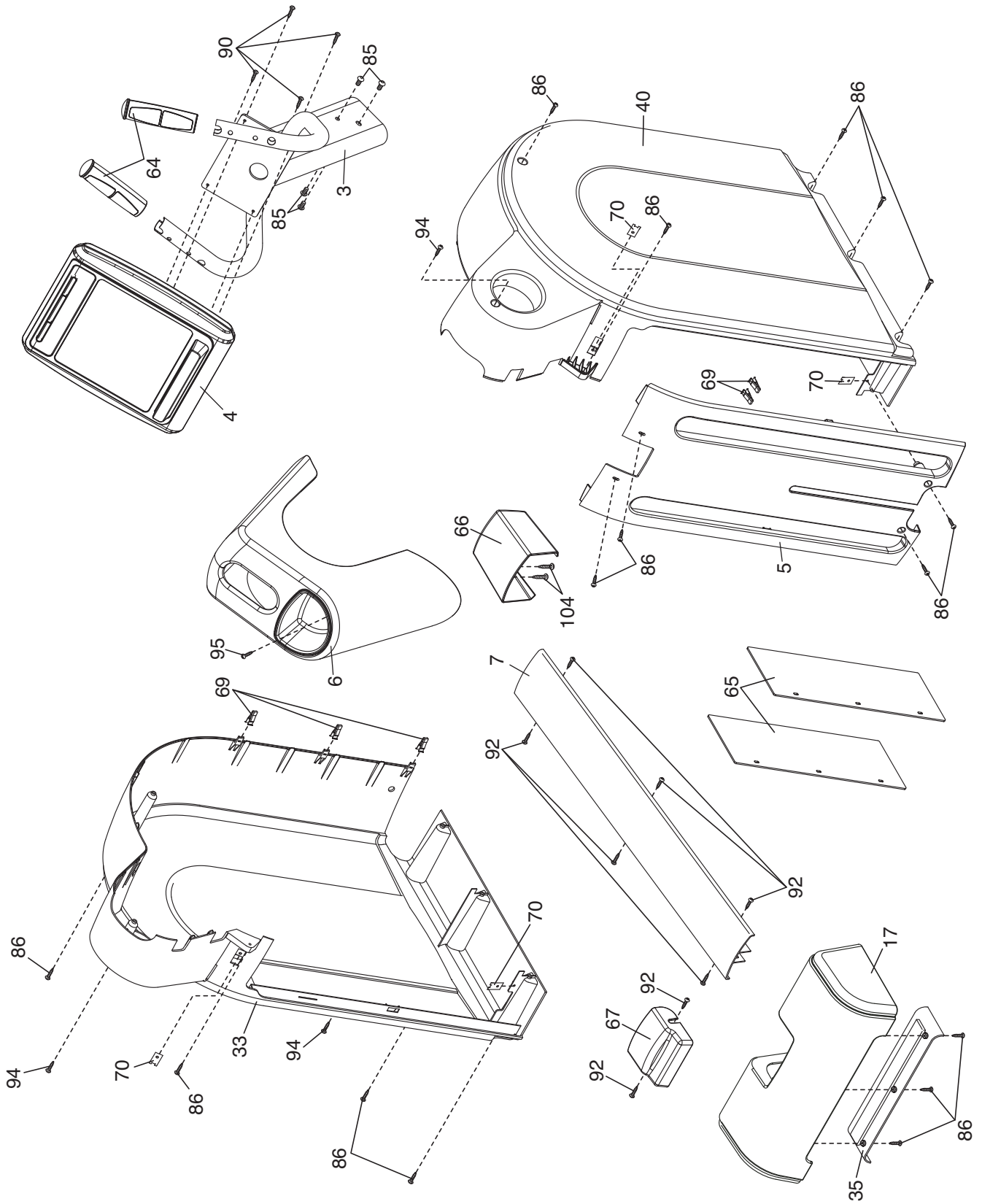


EXPLODED DRAWING A—Model No. RBEL59907.2

R0408A



EXPLODED DRAWING B—Model No. RBEL59907.2

R0408A

