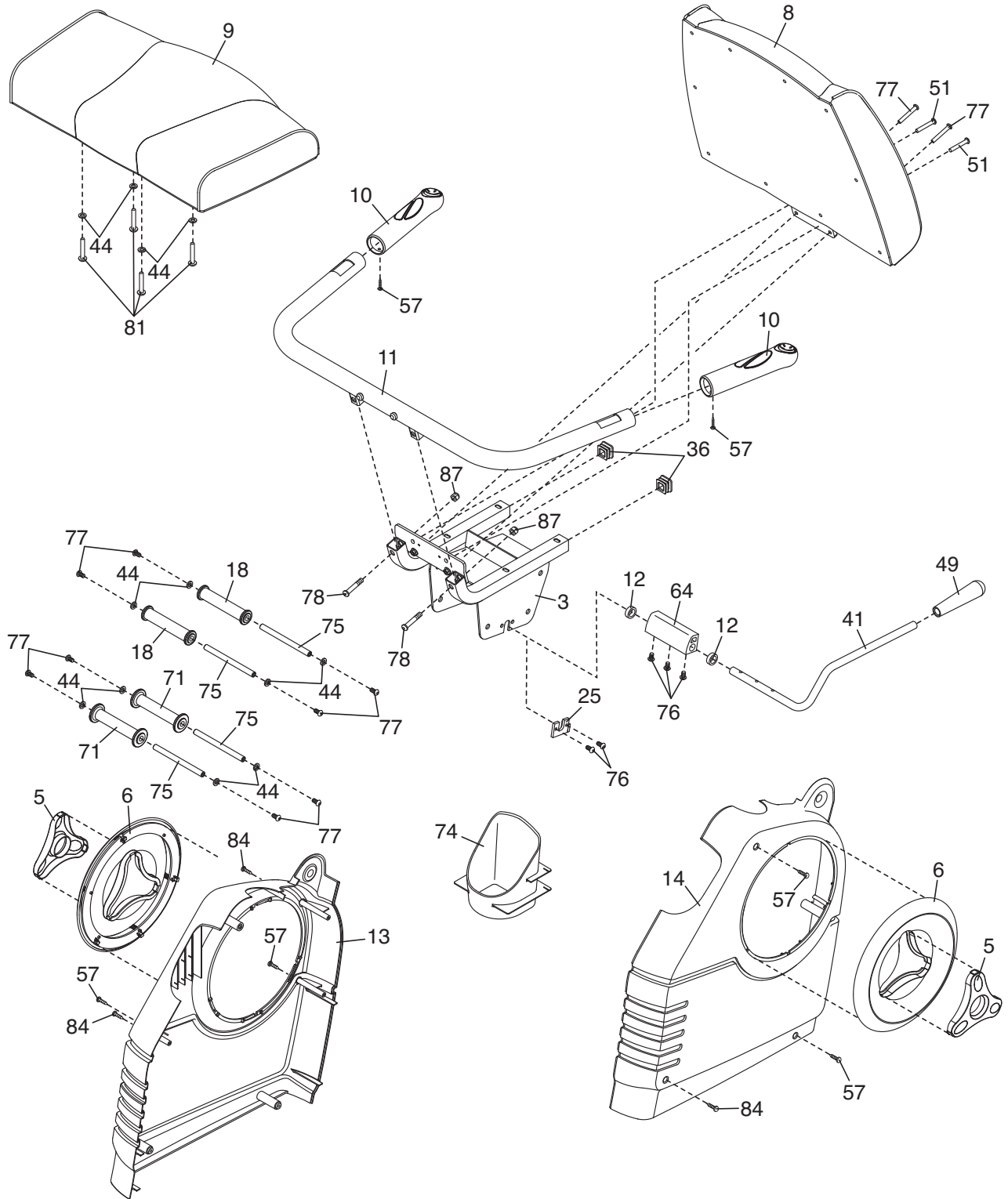


# EXPLODED DRAWING A—Model No. RBEX14010.0

R0910C



# EXPLODED DRAWING B—Model No. RBEX14010.0

R0910C

