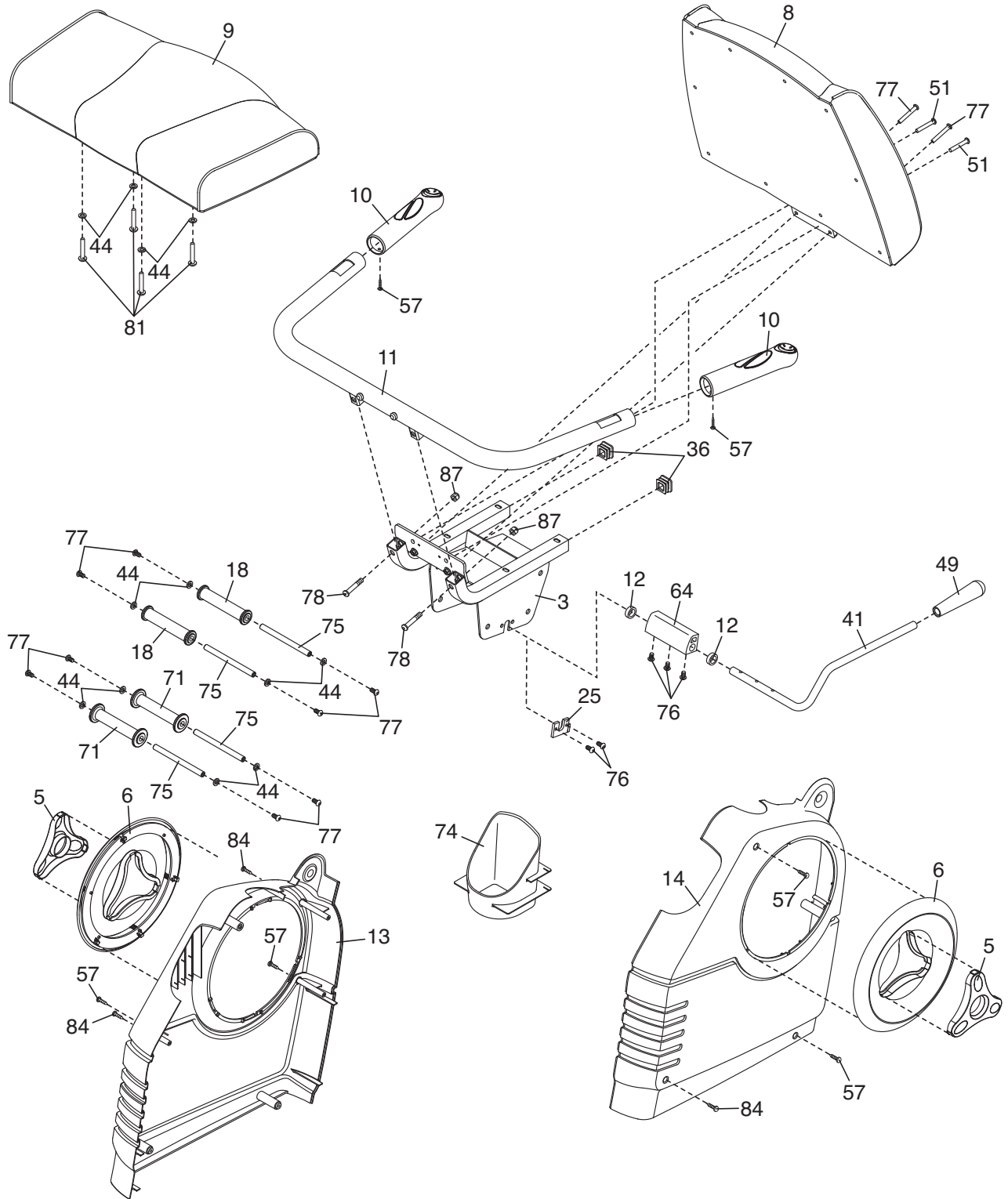


EXPLODED DRAWING A

Model No. RBEX14010.1 R0311A



EXPLODED DRAWING B

Model No. RBEX14010.1 R0311A

