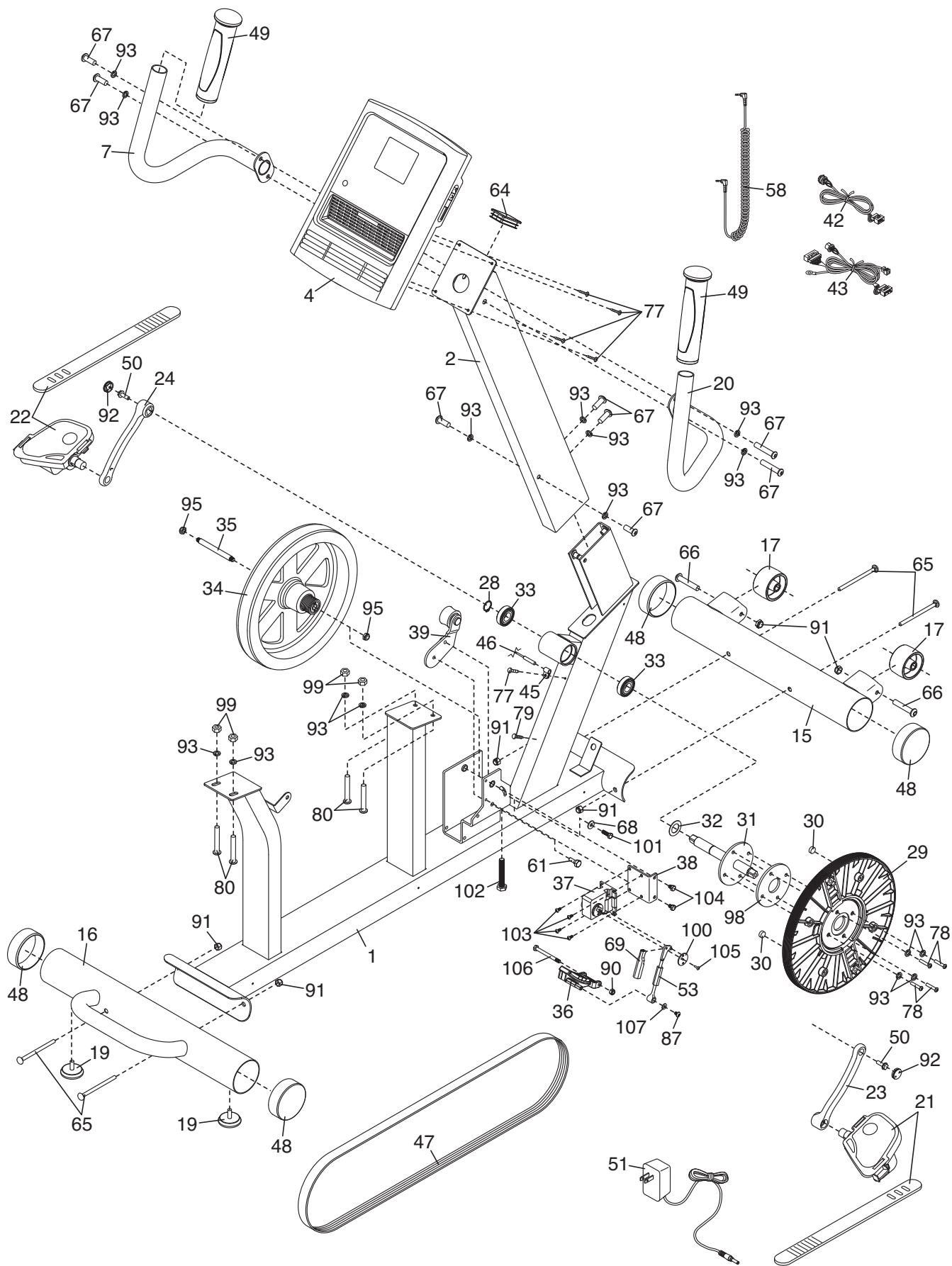


EXPLODED DRAWING A—Model No. RBEX14910.0

R0810B



EXPLODED DRAWING B—Model No. RBEX14910.0

R0810B

