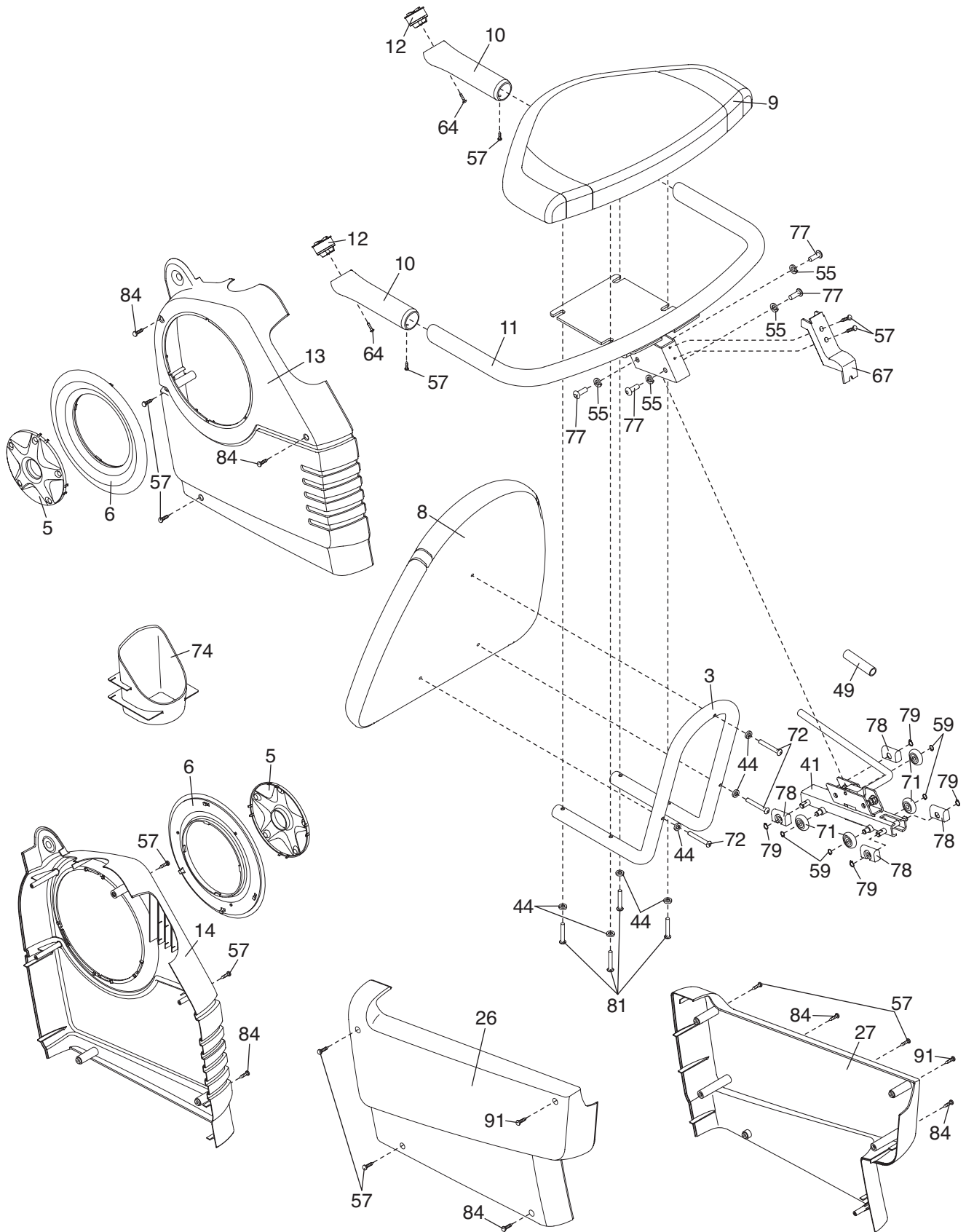


EXPLODED DRAWING A—Model No. RBEX3976.2

R0208A



EXPLODED DRAWING B—Model No. RBEX3976.2

R0208A

