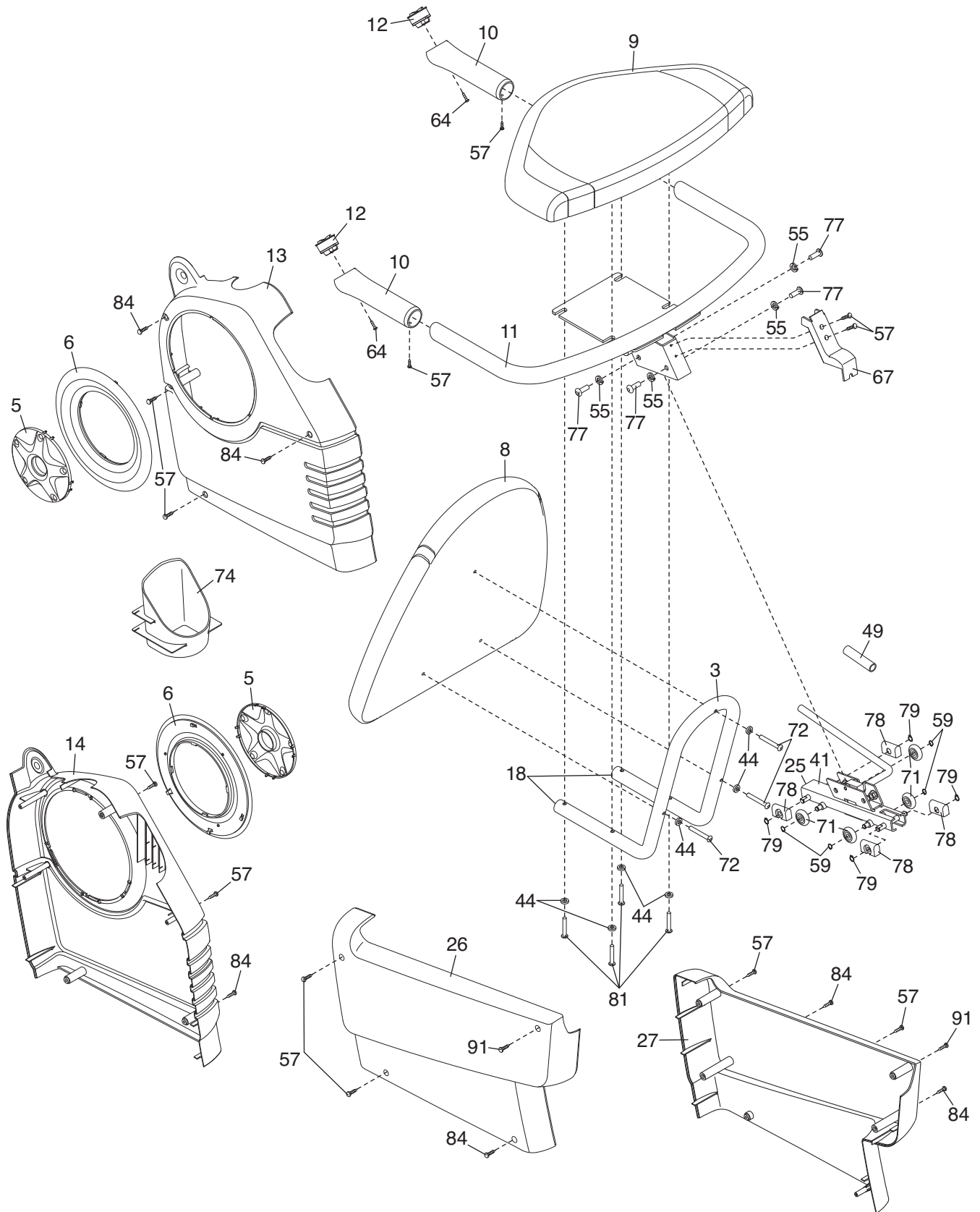


# EXPLODED DRAWING A—Model No. RBEX3976.3

R0808A



# EXPLODED DRAWING B—Model No. RBEX3976.3

R0808A

