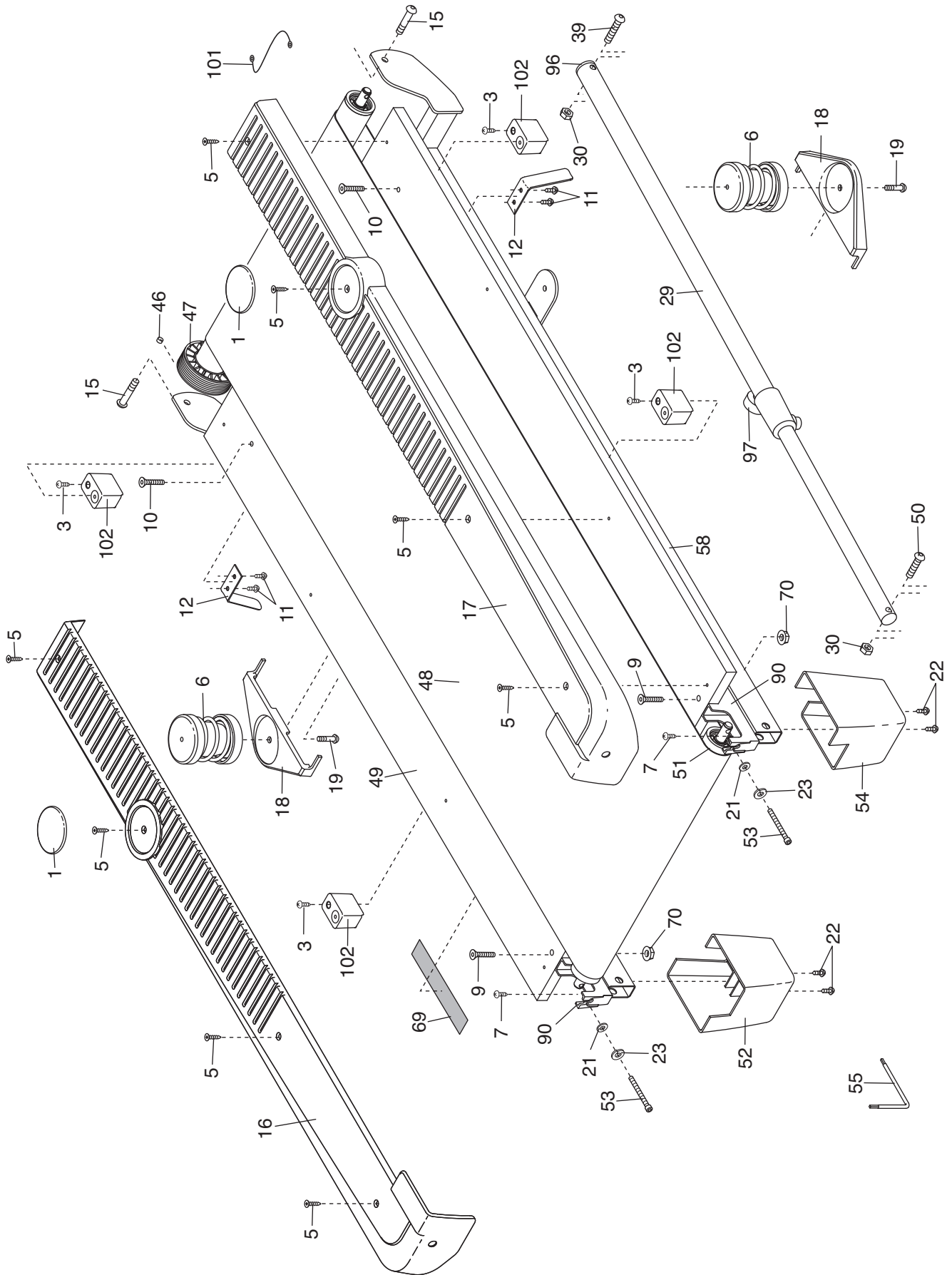


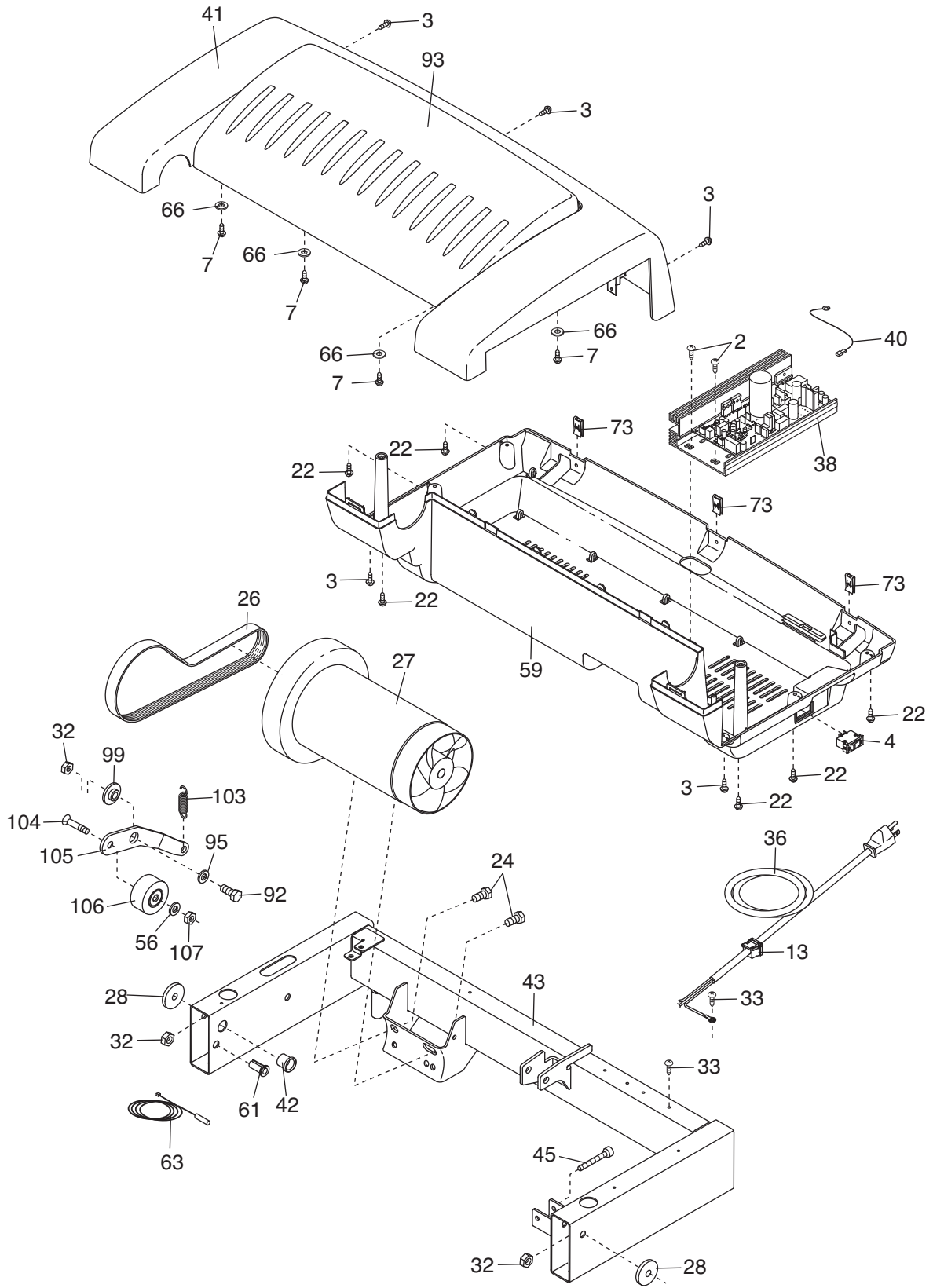
EXPLODED DRAWING A—Model No. RBTL07107.1

R0808A



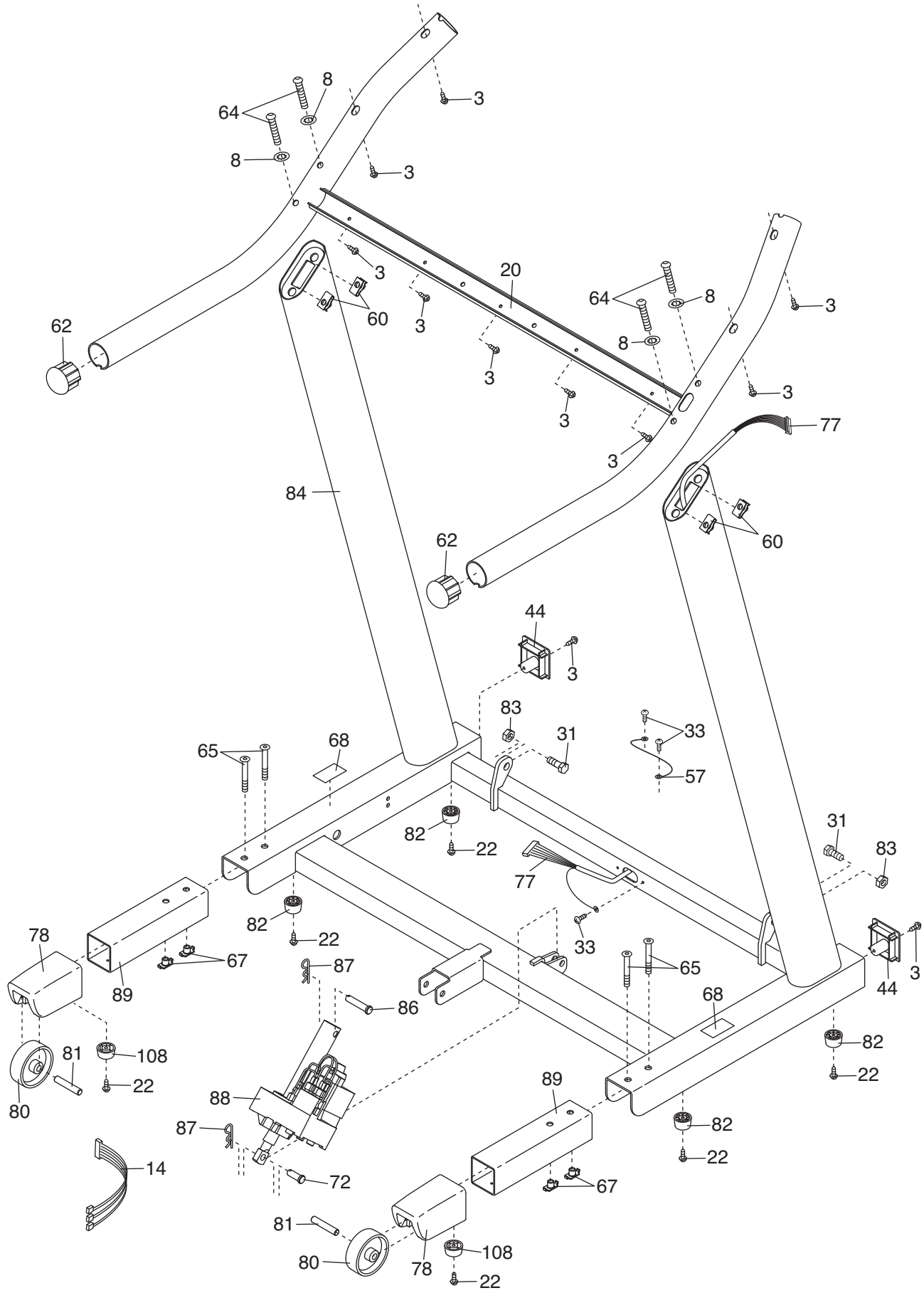
EXPLODED DRAWING B—Model No. RBTL07107.1

R0808A



EXPLODED DRAWING C—Model No. RBTL07107.1

R0808A



EXPLODED DRAWING D—Model No. RBTL07107.1

R0808A

