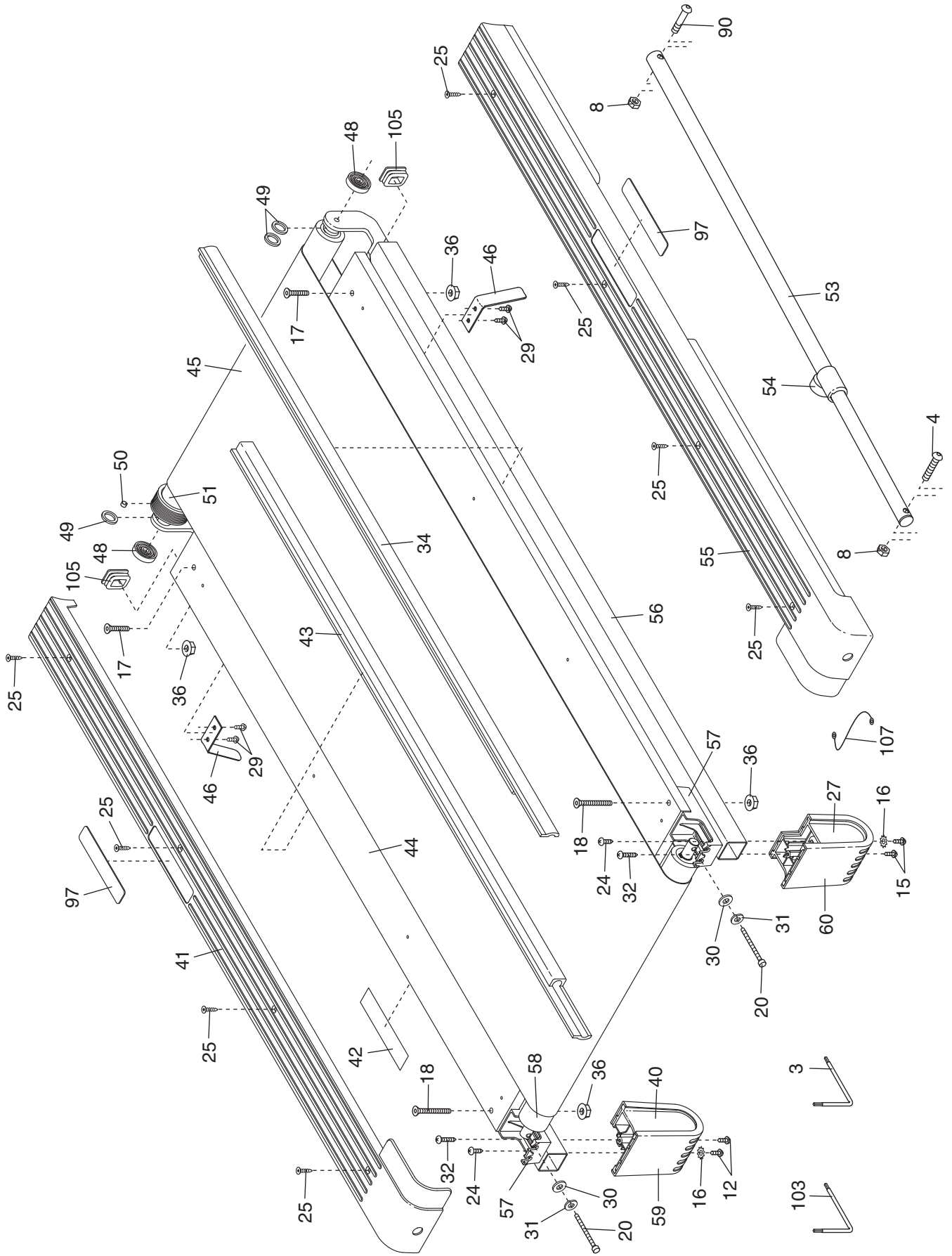


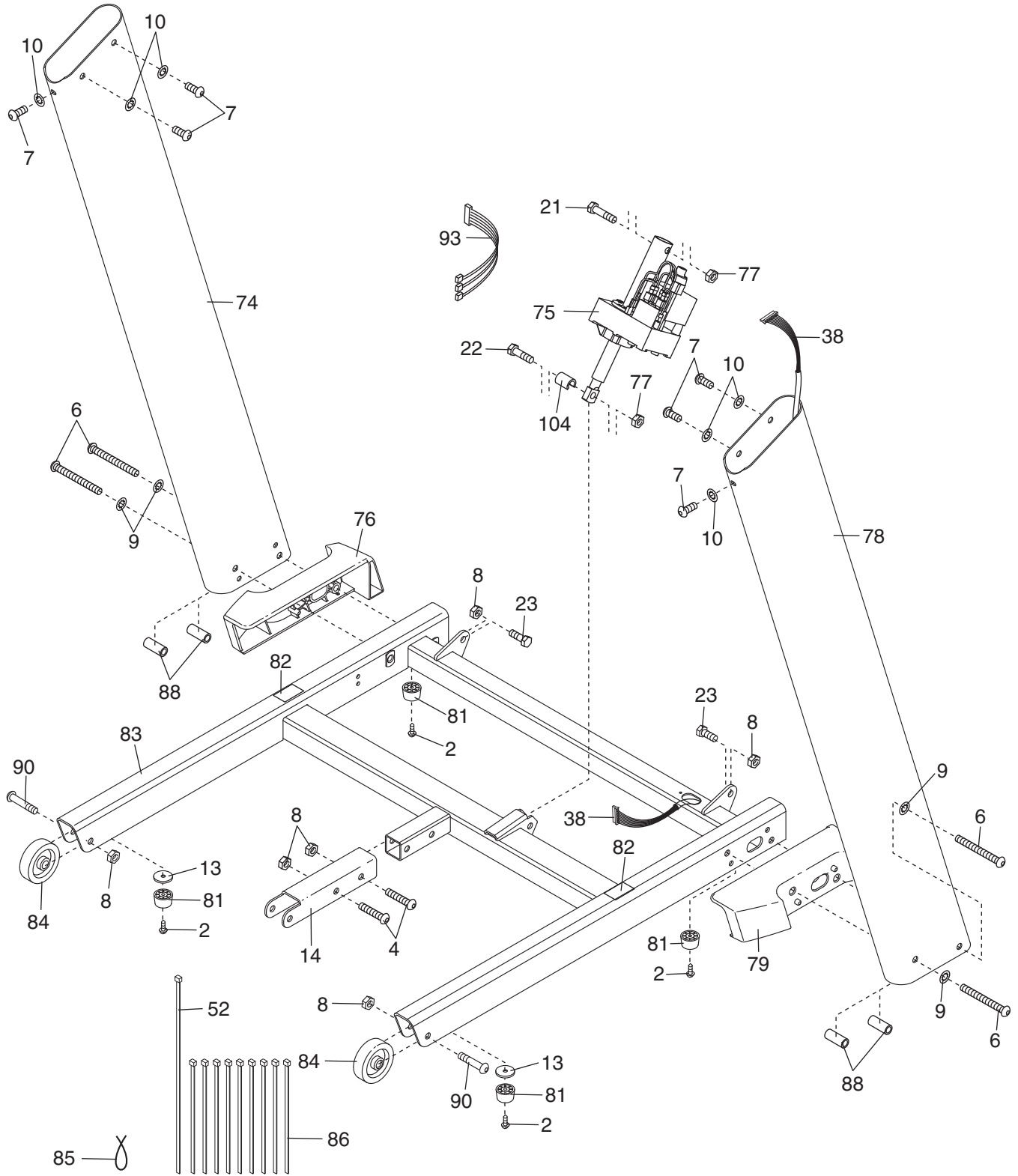
EXPLODED DRAWING A—Model No. RBTL09507.0

R1107A



EXPLODED DRAWING C—Model No. RBTL09507.0

R1107A



EXPLODED DRAWING D—Model No. RBTL09507.0

R1107A

