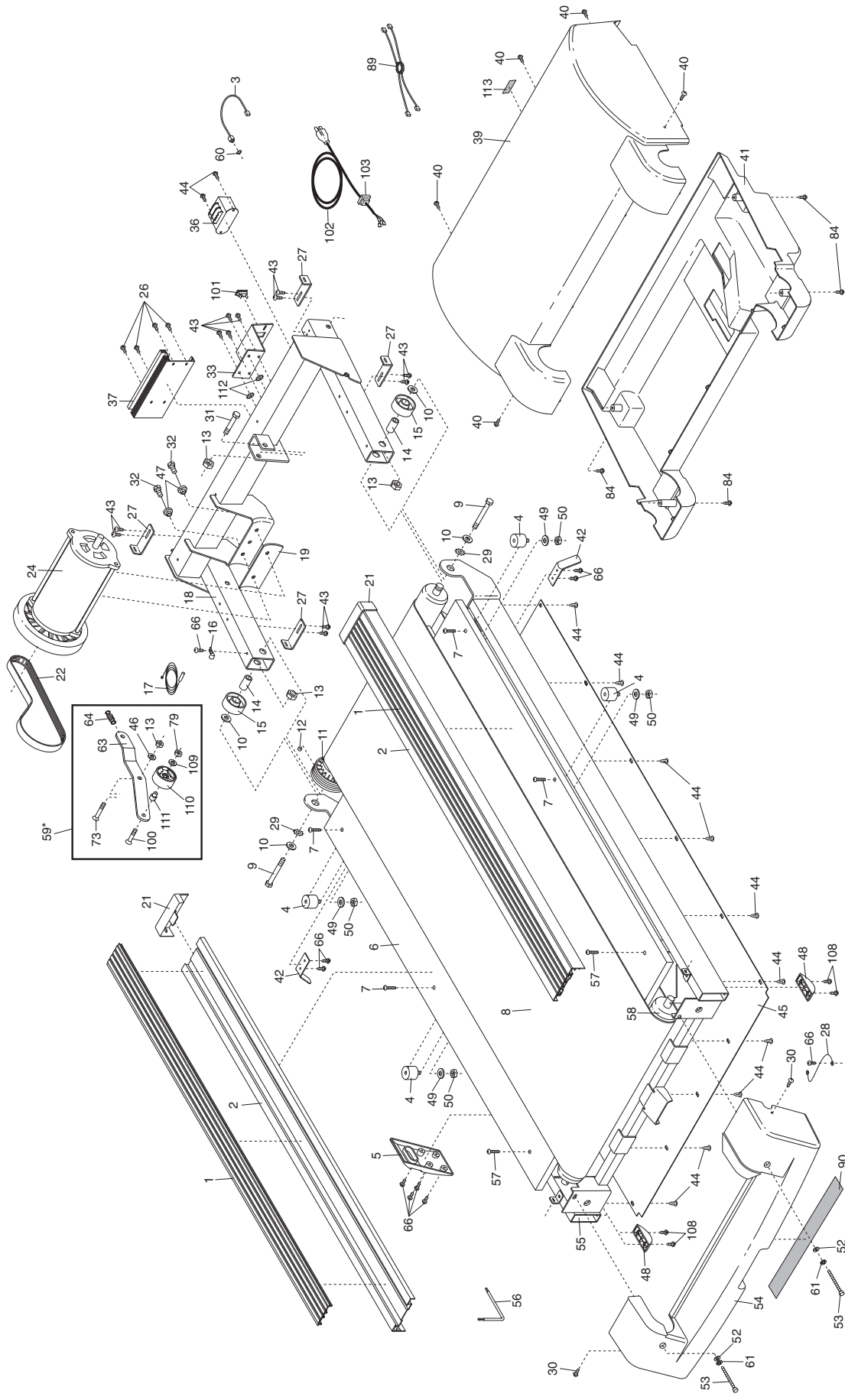


# EXPLODED DRAWING—MODEL NO. RBTL11830

R1003A



# EXPLODED DRAWING—MODEL NO. RBTL11830

R1003A

