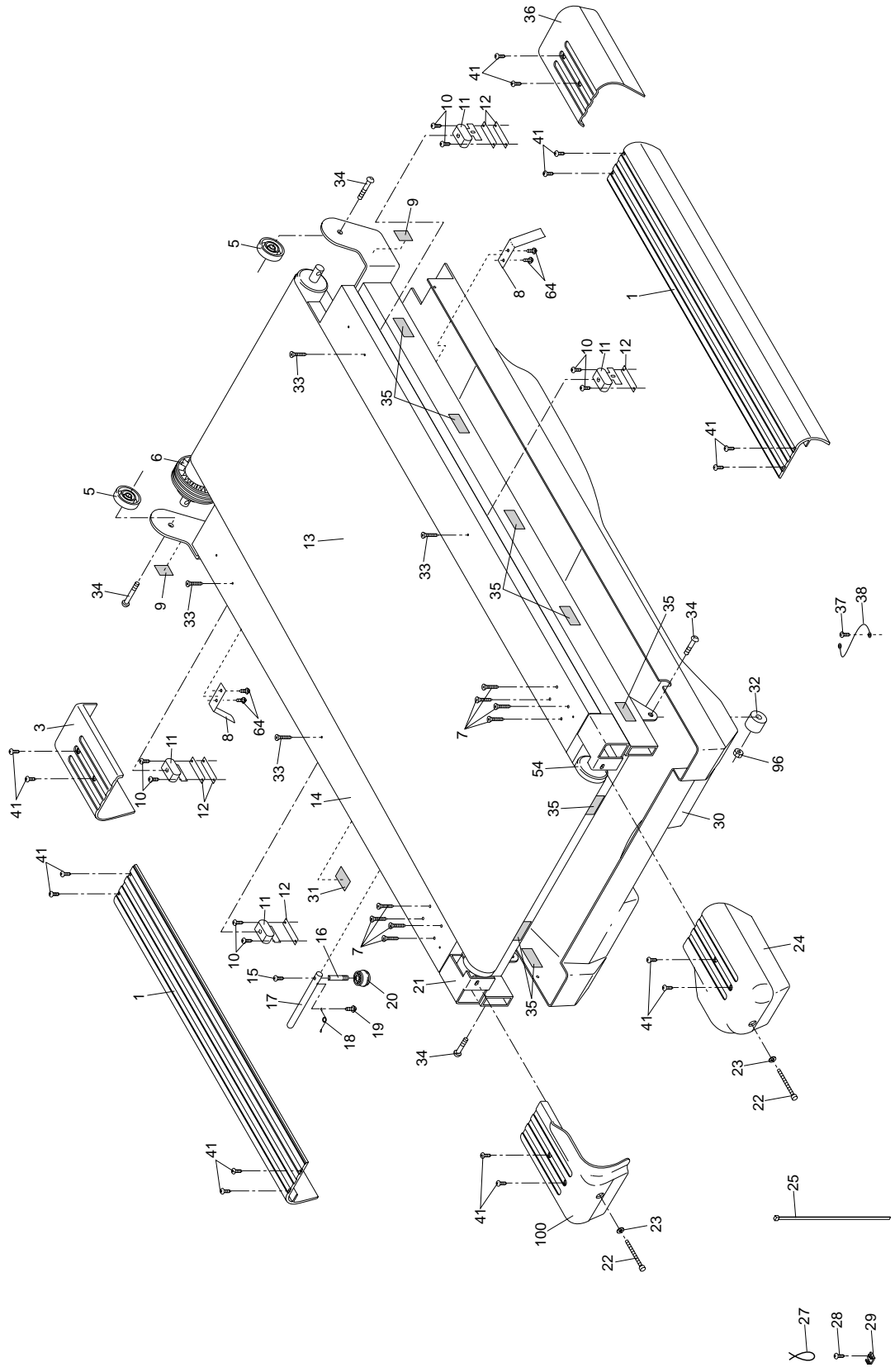


EXPLODED DRAWING—MODEL NO. RBTL11980

R1198A



EXPLODED DRAWING—MODEL NO. RBTL11980

R1198A

