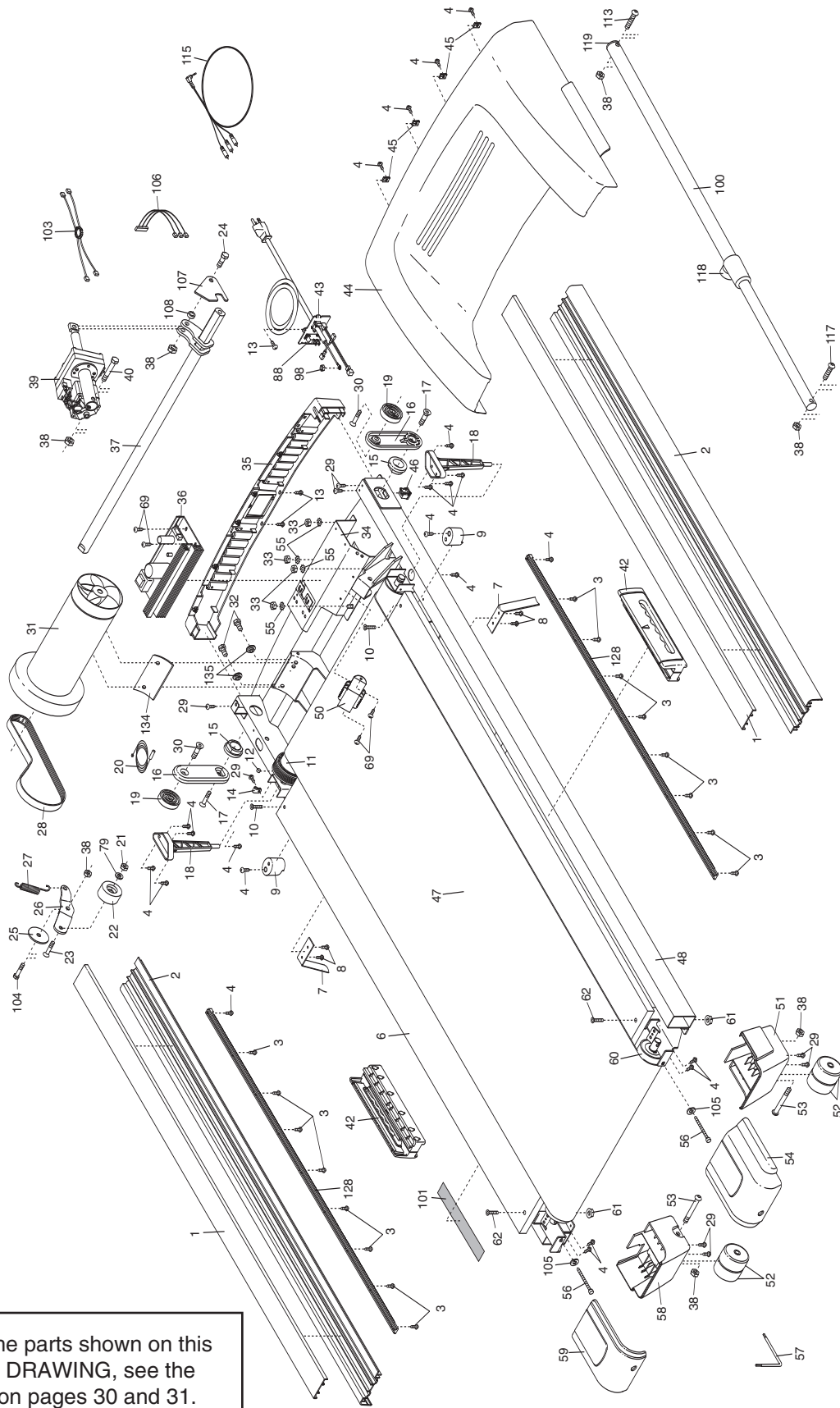


EXPLODED DRAWING—Model No. RBTL14506.0

R0706A



To identify the parts shown on this EXPLODED DRAWING, see the PART LIST on pages 30 and 31.

EXPLODED DRAWING—Model No. RBTL14506.0

R0706A

