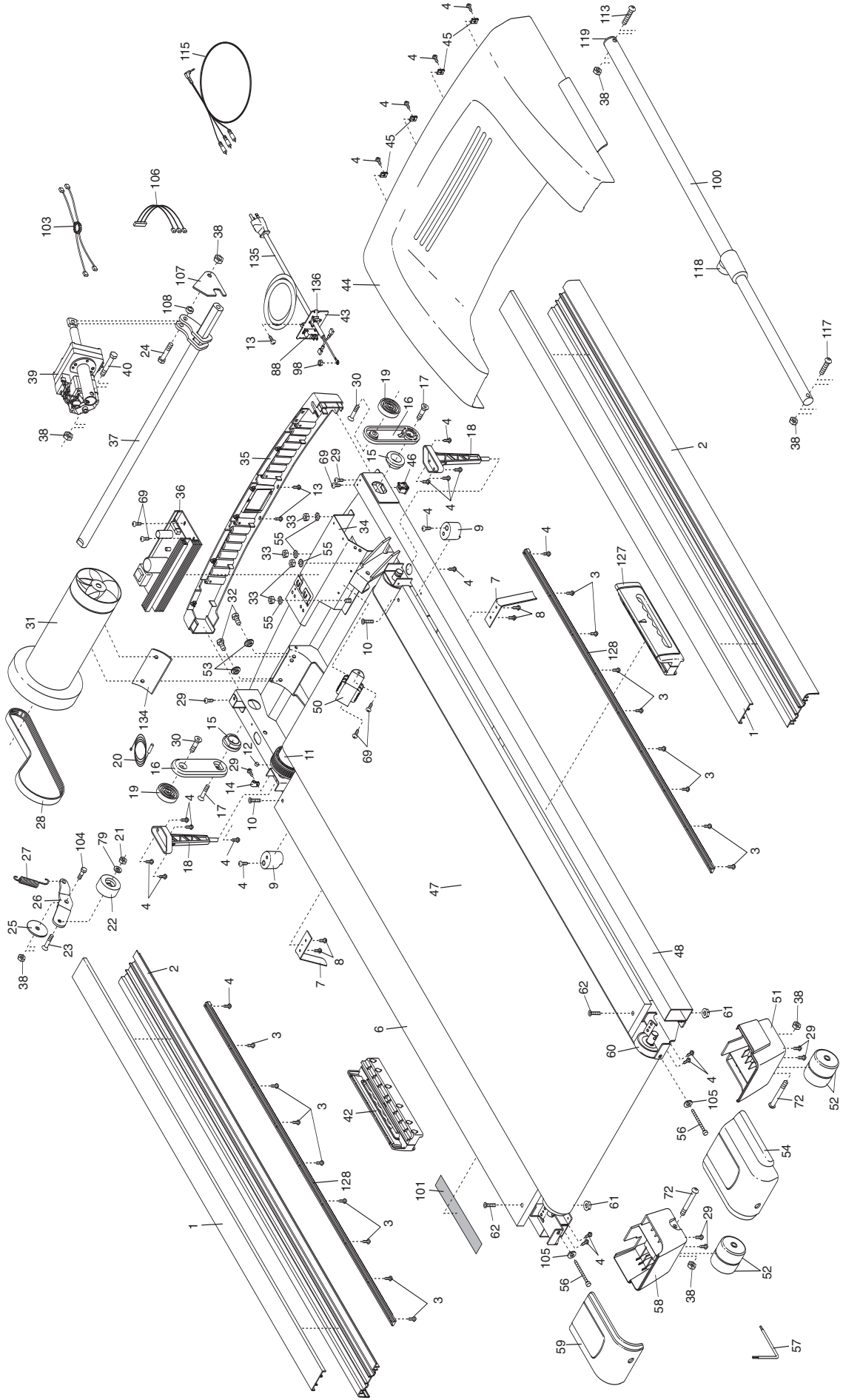


EXPLODED DRAWING—Model No. RBTL14506.3

R1207A



EXPLODED DRAWING—Model No. RBTL14506.3

R1207A

